

SECURETONE MICRO ADDRESSABLE SOUNDER/FLASHER BASE



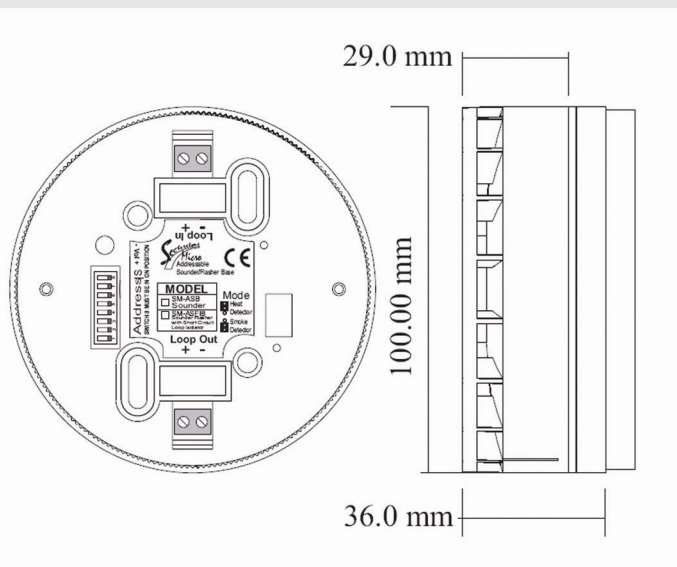
The Securetone Micro Addressable Sounder Flasher Base has been designed for use with the Simplicity Micro Analogue Addressable Fire alarm panel.

It is the latest innovative product from GLT Exports Ltd, and is available as an addressable sounder, or combined sounder flasher with a built in loop short circuit isolator.

The sounder acts as an interface to a Conventional detector, either smoke, heat, or opto-heat. This can allow for considerable cost savings in locations where a sounder & detector are required.

A jumper is fitted to the sounder to define the detector fitted as a smoke detector or a heat detector.

MECHANICAL SPECIFICATION



SPECIFICATION

MODEL	SM-ASB	SM-ASFIB
PART NO	42-500	42-505
OPERATING VOLTAGE	17-33V DC	17-33V DC
QUIESCENT CURRENT	1.2mA	1.2mA
ALARM CURRENT	5.5mA	7mA
SOUND OUTPUT	84dB	84dB
NUMBER OF TONES	2	2
COLOUR	White	White/Clear
FLASH COLOUR	N/A	Red
FLASH RATE	N/A	0.3Hz
OPERATING TEMPERATURE	50°C	50°C
MAX HUMIDITY	95%RH N/C	95%RH N/C
IP RATING	IP43	IP43
SIZE (Diameter X Depth)	100mm X 44mm-no detector	
WEIGHT	100g	100g

COMPATIBLE DETECTORS

FEOE2000	OPTICAL SMOKE DETECTOR
FEOH2000	OPTO-HEAT MULTI POINT
FEHE2000	RATE OF RISE HEAT DETECTOR
FEFHE2000	FIXED HEAT DETECTOR (90°C)

Enclosure Construction Material

Flame Retardant rating 94V0
White ABS - Transparent PC