



The TSW Light provides an effective solution to emergency lighting in high and large external areas.

- White polycarbonate weatherproof enclosure fitted with twin high output tungsten halogen floodlight lamps.
- Complying with the requirements of EN60598-2-22
- Suitable for incorporation into an emergency lighting system complying with BS5266-1:2011.
- IP65 Rated.
- TSW range comes complete with lamps and batteries.
- Non - Maintained as standard, Maintained, DALI Addressable and Delay Timer versions available

## Specification

- Weatherproof IP65 as standard
- High Light Output
- Adjustable Heads
- Tungsten Halogen
- 2 x 20w and 2 x 55w lamp types
- 3 Hour Standby Operation
- LED Lamp Monitoring
- Polycarbonate lens Option (for food applications)
- 0 – 40C Ambient operating temperature.
- DALI (1 hour only on 55W)

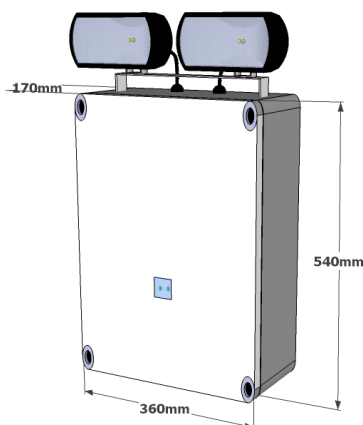


## Options

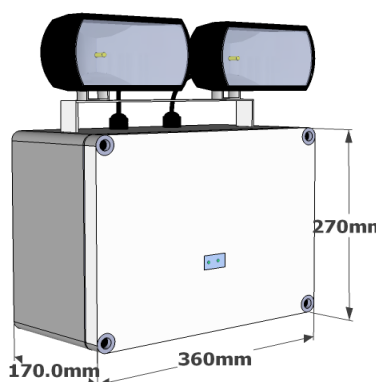
### Options

/R	Remote heads
/T	Delay on timer
/110	110V isolation transformer
/ST	Self test
/DALI	DALI (1 hour only on 55W)
/M	Maintained operation

## Dimensions



TSW55NM3H & TSWP55NM3H



TSW20NM/3H & TSW55/1H

## Suitable Applications

- Designed for use in large open areas, warehouses, sports halls.
- Polycarbonate lens option specifically designed for use in food and beverage production, storage and service applications.
- Suitable for all escape routes including final exits and intersections.
- Suitable for incorporation into an emergency lighting system complying with BS5266-1:2011.

## Technical Specification

Model	Lamp Type	Power Con	Battery	Duration	Weight	Output
<b>TSW20NM</b>	Non-Maintained 2 x 20W Tungsten Halogen	24 W	12V 14Ah	3 Hours	8.9 Kg	2 x 360 Lumens
<b>TSWP20NM</b>	Non-Maintained 2 x 20W Polycarbonate Tungsten Halogen	24 W	12V 14Ah	3 Hours	8.9 Kg	2 x 360 Lumens
<b>TSW55NM1</b>	Non-Maintained 2 x 55W Tungsten Halogen	24 W	12V 14Ah	1 Hour	8.9 Kg	2 x 900 Lumens
<b>TSWP55NM1</b>	Non-Maintained 2 x 55W Polycarbonate Tungsten Halogen	24 W	12V 14Ah	1 Hour	8.9 Kg	2 x 900 Lumens
<b>TSW55NM3</b>	Non-Maintained 2 x 55W Tungsten Halogen	48 W	12V 42Ah	3 Hour	18.3 Kg	2 x 900 Lumens
<b>TSWP55NM3</b>	Non-Maintained 2 x 55W Polycarbonate Tungsten Halogen	48 W	12V 42Ah	3 Hour	18.3 Kg	2 x 900 Lumens

## Installation Notes

- Mounting - Please ensure that suitable plugs and screws are used to fix unit.

## Materials / Finish

- White polycarbonate weatherproof enclosure.
- Twin high output tungsten halogen floodlight lamps.

## Catalogue Numbers

<b>TSW20NM</b>	Non-Maintained	2 x 20W Tungsten Halogen
<b>TSWP20NM</b>	Non-Maintained	2 x 20W Polycarbonate Tungsten Halogen
<b>TSW55NM1</b>	Non-Maintained	2 x 55W Tungsten Halogen
<b>TSWP55NM1</b>	Non-Maintained	2 x 55W Polycarbonate Tungsten Halogen
<b>TSW55NM3</b>	Non-Maintained	2 x 55W Tungsten Halogen
<b>TSWP55NM3</b>	Non-Maintained	2 x 55W Polycarbonate Tungsten Halogen