

- 24 VDC AND 230 VAC SUPPLY VOLTAGE
- 200N HOLDING FORCE
- ZERO RESIDUAL FORCE
- HIGH QUALITY BRIGHT CHROME, LACQUERED BRASS & STAINLESS STEEL FINISHES
- FLUSH OR SURFACE MOUNTING
- MANUAL RELEASE SWITCH
- APPROVED TO EN1155 AND CE MARKED UNDER THE CPD
- IDEAL FOR HOTELS, OFFICES & SIMILAR PRESTIGIOUS INSTALLATIONS



Electromagnetic Fire Door Holders are designed to hold open Fire Doors in any areas where easy Disability Discrimination Act access is essential, and can be used in conjunction with any fire alarm system. When an alarm is triggered, power to the door holder is cut, allowing the fire door, with its standard closing mechanism, to shut automatically.

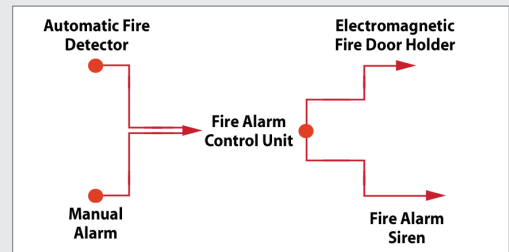
Decorative Door Holders are available in Bright Chrome, Lacquered Brass, Stainless Steel finishes and are particularly suitable for use in prestigious installations – Offices, Hotels, Conference Centres.

The keeper plate for the decorative door holder is supplied with a matching surface finish. The magnet is supplied with a standard single gang electrical back box, which enables the unit to be flush mounted. If required, a surface mounting sleeve is available in matching finishes, with two 20mm entry holes and blanking plugs.

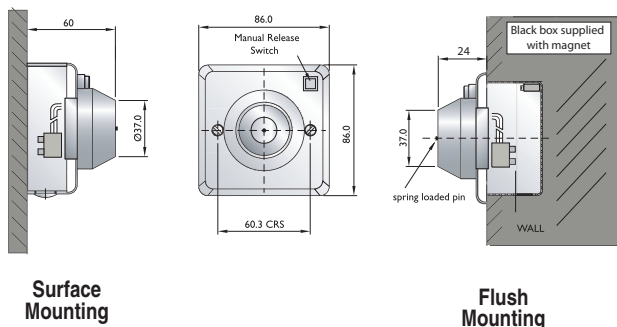
TECHNICAL INFORMATION

Supply Voltage	24 Vd.c.
Axial Holding Force	200 N (+/- 20%)
Power Rating	1-15 W
Residual Holding Force	Zero
Ambient Temp.	0 - 40°C
Surface Finish	Bright Chrome, Lacquered Brass, Brushed Stainless Steel
Protection	IP51
Weight	500 g

ORDER CODES :	BRIGHT CHROME	LACQUERED BRASS	STAINLESS STEEL
24 v Flush Mount door holder with switch	3-59-0301-C001	3-59-0301-E001	3-59-0301-M001
230 v Flush Mounted door holder	3-59-0302-C001	3-59-0302-E001	3-59-0302-M001
Surface mounting kit	2-34-0424-C091	2-34-0424-E091	2-34-0424-M095



TYPE 59 ASSEMBLY



KEEPER PLATE

