

TWINFLEX MANUAL CALLPOINT

Twinflex Call Points are available with the option of an integral sounder – and are resettable

All Rafiki manual call points are designed to comply with the latest European standards: EN54 parts 3 and 11.

With the resettable element the need for replacement glass is negated as the unit may be reset using the key provided.

The test key is inserted into the front of the unit in order to allow access for use wherever it may be sited. The user can test the call point with the test key or by depressing the element.

The Rafiki Twinflex call point also has the unique benefit of audible warning with an optional full specification built-in sounder offering 4 different sound patterns.

Every call point comes with an LED for indication of End of Line and Alarm. There is no need to remove the front cover and the glass at installation; just one screw fixes the whole unit together.

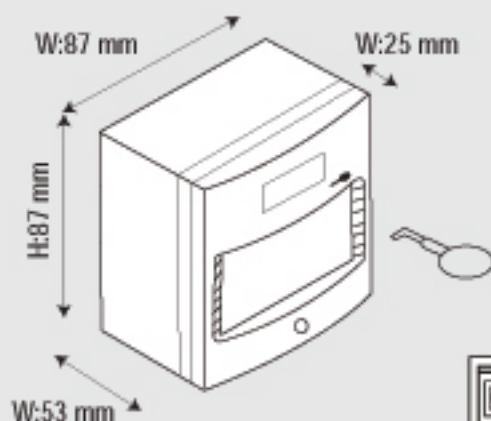
The back box can be fitted at the time of installation with other first fix items – the call point unit can be simply fitted in later. An adaptor plate is also supplied, for use with standard flush or surface backboxes.

The manual call point is connected to the back-box using simple flying-lead terminations



Technical specifications

Compatibility:	Twinflex 2-wire	
Operating Temperature:	-10°C to 50°C	
Voltage Range:	18 to 35v DC	
Operating Current:	Quiescent:	105µA
	MCP alarm:	25mA
	Sound high:	16mA
	Sound low:	8mA
Loading:	MCP:	0SLU (max 32 SLUs per zone)
	Sounder:	1SLU
Sound Outputs:	Low:	72dB(A)
	High:	85dB(A)
LED Operation:	EOL:	5s interval
	Alarm:	0.3s interval
Part Code:	No sounder:	402 0002
	With sounder:	402 0012



rafiki
PROTECTION

Intelligent Fire Technology