

SMK23U Pattress


Surface Mount Pattress For Kidde Fyrnetics & Firex models:


1SF23/9HI, 1SF23/9HIR, 2SF23/9HI,
2SF23/9HIR, 3SF23/9HI, 3SF23/9HIR,
423D/9HIR, 423/9HIR, 4870, 4881, 4973, 4985, 4899 & 4892


Application

- This surface mount pattress is for use with Kidde Fyrnetics & Firex, Hard Wired Smoke, Heat and CO Alarms, where surface cabling is being used, such as in retrofit applications.
- Never Meggar Test an installation, without disconnecting any connected alarms (this can permanently damage the alarm and invalidates the guarantee).

Usage

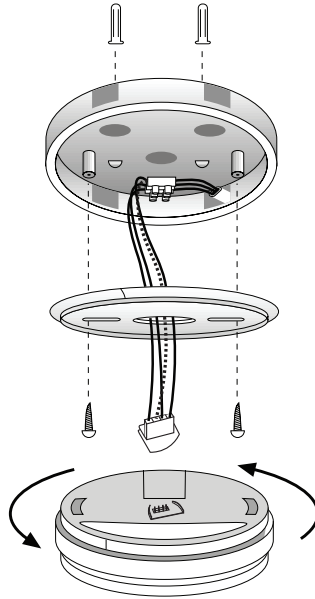
- This is designed for installation by a qualified electrician, in accordance with the current IEE regulations. Failure to install correctly can result in a fatal shock or fire hazard.
 - Knock-outs on the underside and edge of the pattress provide flexibility of cable entry, for ease of use. A small rib on the edge of the pattress lines up with a mark on the alarms base plate, to ensure correct alignment.
 - Site and select alarm type in accordance with manufacturer literature/manual shipped with alarm. Also refer to Building Regulation requirements if applicable, plus BS5839 Pt 6.
 - Isolate mains power before commencing work.
 - Never remove/refit the cable harness whilst mains power is present.
-  Crossing line and neutral connections or line and interconnect connections will fatally damage all interconnected alarms invalidating the guarantee.

 All interconnected alarms must be powered off the same fuse/circuit breaker.

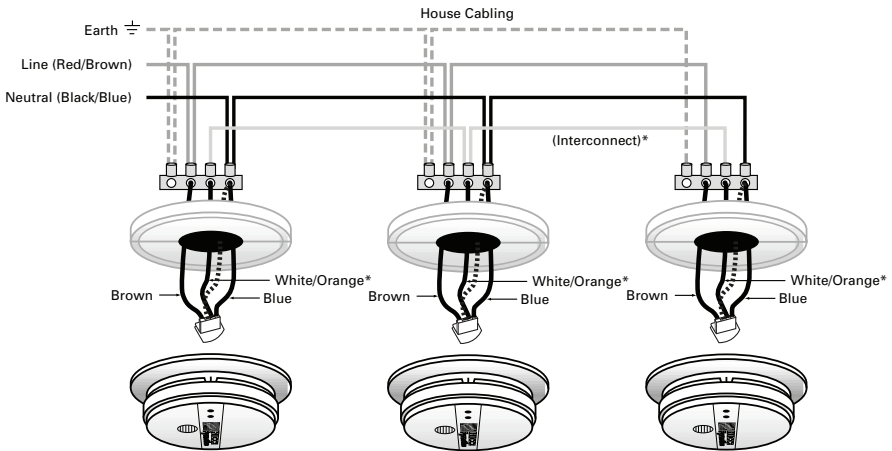
 Total cable length between alarms must not exceed 250m (273yds) and be 1.5mm in diameter, 3 core and earth (BS6243Y).

Important Notes

- As in illustration 1 (on reverse), bring mains cabling into pattress terminal block via knock-out selected and fix pattress to ceiling with 2 screws.
(If using dry lining box, select appropriate holes on pattress and secure with machine screws.)
- Wire in mains cabling to terminal block, looping "earth" in and out.
- Connect flying leads on alarm cable harness to appropriate terminals and ensure polarity is correct.
- Install and test alarm by following guidance in Installer Manual of alarm.



This accessory is suitable for use with Firex alarms.



* Interconnect only – if single alarm installation, leave unconnected with sheathing intact.

These are double insulated products and do not need earthing – never use earth conductor to interconnect – use 3 core and earth (BS6243Y).

Connect to Terminal Block in ceiling cavity or via Surface Pattress.

Kidde Safety Europe, Mathisen Way, Colnbrook, SL3 0HB, UK.

www.smoke-alarms.co.uk

© KIDDE Fyrnetics 2009