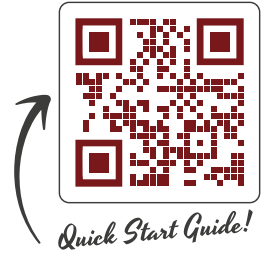




LIGHTING • FIRE & CO DETECTION



RADIO FREQUENCY BATTERY SMOKE DETECTOR

WITH 10 YEAR LITHIUM BATTERY

RF PRO

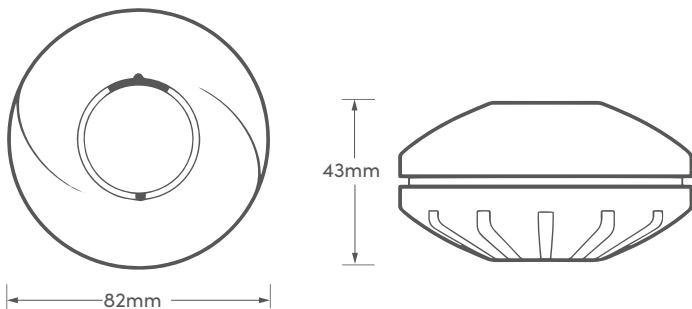


FEATURES

- Interconnect up to 20 wireless detectors
- 10yr Sealed Lithium Battery
- Battery only with integrated RF technology
- Activated by twist and click mounting bracket
- Loud 85dB alarm
- Insect proof
- Test function and hush feature
- Easy Installation
- Compatible with Hispec Control Unit HSSA/CU/RF10-PRO

TECHNICAL INFORMATION

Scheme Rating:	F1
Power Source:	Sealed Lithium Battery with 10 year life
Alarm Sound Level:	85dB at 3 metres
Operating Temp:	0°C ~ 40°C
Transmit & Recieve Frequency:	868MHz
Weight:	72g
Approvals:	BS EN14604:2005



Product Code: HSA/PE/RF10-PRO



hispec.co.uk

