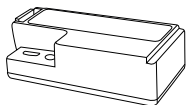
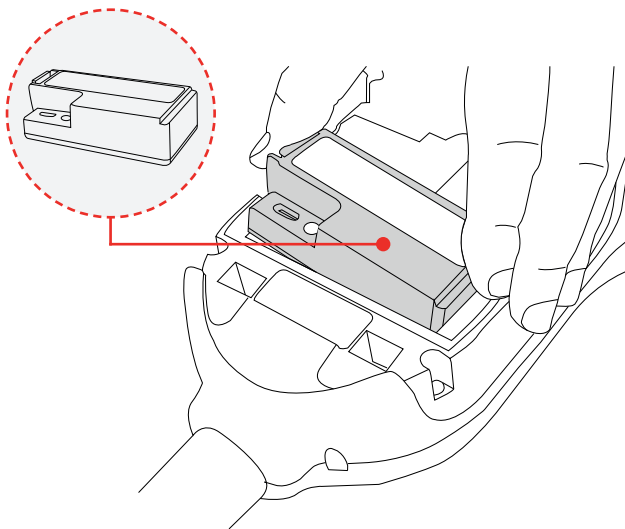


## Battery Removal & Replacement







**Note:**

When replacing the battery, ensure that the unit is switched off before opening the back cover.



# Battery Removal & Replacement

## Battery pack LED

-  Flashing Red/Green: Detecting level of charge
-  Solid Red: Charging
-  Solid Green: Fully charged
-  Flashing Red: Fault

## Removal

- Unclip and remove the used battery.

## Replacement

### Warning:

Do not charge the battery while it is in place in the unit.

- To charge, connect the battery pack to the USB power supply using the supplied charger.
- Once the battery is charged clip the battery pack into the battery compartment.
- Do not force the battery into place - it should only be inserted without force.

### No Climb Products Ltd

Edison House  
163 Dixons Hill Road  
Welham Green  
Hertfordshire, AL9 7JE  
United Kingdom

Tel: +44 (0) 1707 282 760  
Fax: +44 (0) 1707 282 777  
support@detectortesters.com



**detectortesters**  
testing technology from No Climb