

# DALBY

Versatile low profile luminaire or exit sign



## IMAGES

- A. Standard Dalby luminaire
- B. Dalby exit sign (*suffix /EX*)

## FEATURES

### All Models

- Flame-retardant polycarbonate body and diffuser
- Low profile elegant design
- Supplied as a surface mounting luminaire as standard but can be semi-recessed using a semi-recessing kit
- Can be transformed into an elegant exit sign using an edge-lit legend panel
- Available with LED and fluorescent options

### LED Models Only

- TM-21 L70 greater than 36,000 hours using 0.5W 150 lumen/Watt LEDs
- CRI 80 (minimum)
- 4000K colour temperature as standard (2700K - 6500K available to order)
- 3 step MacAdam rated

IP20/55



KM31508



BRITISH STANDARD  
KITEMARKED OPTIONS  
AVAILABLE

## CATALOGUE NUMBERS & INFORMATION

### Emergency Luminaires

| Cat No        | Light Source & Mode             | Colour Temperature | EMERGENCY LUMENS |                            |                         | Weight |
|---------------|---------------------------------|--------------------|------------------|----------------------------|-------------------------|--------|
|               |                                 |                    | Standard Output  | Economy Output (Suffix /E) | High Output (Suffix /H) |        |
| DAL/LED/M3/4K | 5 x 0.5W LED M3 emergency       | 4000K              | 145              |                            |                         | 1.80Kg |
| DAL8/NM3      | 8W T5 fluorescent NM3 emergency | 3500K              | 120              | 80                         | 180                     | 1.80Kg |
| DAL8/M3       | 8W T5 fluorescent M3 emergency  | 3500K              | 120              | 80                         | 180                     | 2.00Kg |

### Slave Luminaires

| Cat No        | Light Source & Mode     | Colour Temperature | EMERGENCY LUMENS |                            |                         | Weight |
|---------------|-------------------------|--------------------|------------------|----------------------------|-------------------------|--------|
|               |                         |                    | Standard Output  | Economy Output (Suffix /E) | High Output (Suffix /H) |        |
| DAL/LED/#D/4K | 5 x 0.5W LED slave      | 4000K              | 125              |                            |                         | 1.10Kg |
| DAL8/#D       | 8W T5 fluorescent slave | 3500K              | 275              |                            |                         | 1.10Kg |

Replace # with AC/DC system Voltage 24, 50, 110 or 230 Volts

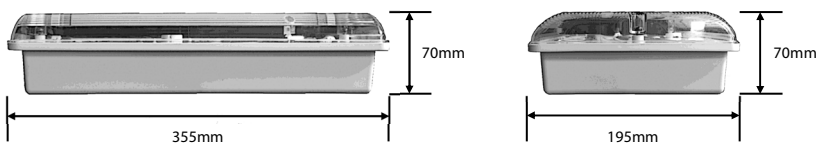
## OPTIONS

Products incorporating any of the following options are manufactured to order

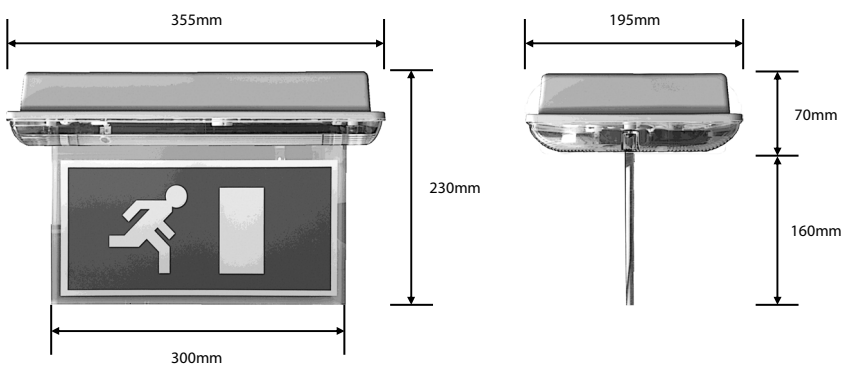
- /AD Intelligent Addressable luminaire
- /DAE DALI emergency mode only
- /E Economy output version
- /EX Single-sided exit version
- /EX/D Double-sided exit version
- /H High output version
- /HF High frequency ballast
- /R Semi-recessing kit
- /SAL2 Self-adhesive legend kit (luminaire only)
- /ST Digital self-test
- /TS Push-to-test switch

## DIMENSIONS

### Luminaire



### Exit Sign



### Cut-Out

Length: 335mm x Width: 175mm  
(when supplied with semi-recessing kit)

### Viewing Distance

24 metres  
(when supplied as exit version)

# SPECIFICATION

## General

Country of Origin: United Kingdom  
CE Mark Compliance: CE marked REACH and RoHS compliant  
Manufactured to Standards: EN60598-2-22: 1999  
Manufacturing Quality Approval: ISO9001:2008

## Construction

Housing Construction: 85°C polycarbonate  
Body Finish: White  
Protection Degree: IP55 (luminaire) IP20 (exit sign)  
Insulation Class & Supply Voltage: Class 1 230/240V AC 50/60Hz (unless stated); Class 1 24V AC/DC (DAL/LED/24D/4K & DAL8/24D); Class 1 50V AC/DC (DAL/LED/50D/4K & DAL8/50D); Class 1 110V AC/DC (DAL/LED/110D/4K & DAL8/110D); Class 1 230V AC/DC (DAL/LED/230D/4K & DAL8/230D)  
Internal Cabling: 90°C single core 0.8mm to BS6500 Grade 5

## Gear

Control Gear Manufacturer/Type: Emergency versions: P1151/4K PCB & P1242 LED driver (DAL/LED/M3/4K); P400/3/T PCB (DAL8/NM3); P996/3/T PCB (DAL8/NM3/E); P226/3/T PCB (DAL8/NM3/H); P404/3/T PCB & 15-567 8W ballast (DAL8/M3); P995/3/T PCB & 15-567 8W ballast (DAL8/M3/E); P232/3/T PCB & 15-567 8W ballast (DAL8/M3/H)  
Slave versions: P1151/4K PCB & LVR24 module (DAL/LED/24D/4K); P1151/4K PCB & LVR50 module (DAL/LED/50D/4K); P1151/4K PCB & LDY002 (DAL/LED110D/4K & DAL/LED/230D/4K); 19288/3/NRF PCB (DAL8/24D); 19289/3/NRF PCB (DAL8/50D); 19290/3/NRF PCB (DAL8/110D); 15-556 4-8W electronic ballast (DAL8/230D)  
Power Factor Correction: LED versions >0.5, fluorescent versions >0.96  
Radio Interference Manufactured to: EN55015  
Harmonics Manufactured to: EN61000-3-2 Class C  
Batteries Employed: High temperature Ni-Cad cells (emergency versions only)

## Diffuser

Light Distribution Category: Bulkhead (luminaire) or exit signage (exit versions)  
Reflector Material: Mild steel  
Reflector Finish Type: Flat gear tray style  
Reflector Finish: White powder coated  
Diffuser Material: Self-extinguishing plastic (luminaire) or self-extinguishing plasi-glas (exit versions)  
Diffuser Type: Screw fixing  
Diffuser Finish: Clear polycarbonate (luminaire) or screen-printed legend (exit versions)

## LEDs

LED Wattage & Type: 5 x 5630  
LED Colour: 4000K  
Lamp/LED Manufacturer: Samsung  
Circuit Power: 3W

## Lamps

Lamp Wattage & Type: 8W T5 fluorescent  
Lamp Colour: 3500K  
Lamp/LED Manufacturer: Various

## LEGEND OPTIONS (EXIT VERSIONS ONLY)

### EN7010 Format



### BS5499 Format



HEAD OFFICE ORBIK LIMITED, ORBIK HOUSE, NORTHGATE WAY, ALDRIDGE, WALSALL, WEST MIDLANDS, WS9 8TX, UNITED KINGDOM  
SALES CONTACT TEL: 01922 743515 \* FAX: 01922 743173 \* EMAIL: sales@orbik.co.uk  
UK ELECTRICAL WHOLESALE SALES CONTACT TEL: 01922 745024 \* FAX: 01922 745124 \* EMAIL: uksales@orbik.co.uk  
EXPORT SALES CONTACT TEL: +44 (0) 1922 743515 \* FAX: +44 (0) 1922 743173 \* EMAIL: export@orbik.co.uk

[www.orbik.co.uk](http://www.orbik.co.uk)

