

ELLED

Distinctive ceiling mounted LED luminaire



IMAGES

- A. Standard recessed Elled
- B. Elled fitted with chrome surface trim (*suffix /CH*)
- C. Elled fitted with white surface trim (*suffix /WH*)
- D. Elled fitted with brass surface trim (*suffix /BR*)

FEATURES

- Seamless design to blend into any lighting scheme
- Specially developed LED driver
- High quality 3W (150 lumens/Watt) LED with extended life expectancy
- Refractor lens provides efficient light distribution pattern
- Self-test versions conform to the requirements of BS EN62034: 2006
- Supplied as an open area version as standard with corridor versions to illuminate centre lines of escapes routes available as an option
- Wide range of options available including cold store application versions and surface trims in a variety of colour finishes
- Polycarbonate body and diffuser are 850°C hot-wire compliant
- Emergency versions utilise nickel metal hydride battery packs

CATALOGUE NUMBERS & INFORMATION

Emergency Luminaires

Emergency Luminaires				EMERGENCY LUMENS			
Cat No	Light Source & Mode	Colour Temperature	Circuit Power	Standard Output	Economy Output (Suffix /E)	High Output (Suffix /H)	Weight
ELL/LED/NM3/OA	LED NM3 emergency	6500K	3W	45			0.50Kg

Slave Luminaires

Slave Luminaires				EMERGENCY LUMENS			
Cat No	Light Source & Mode	Colour Temperature	Circuit Power	Standard Output	Economy Output (Suffix /E)	High Output (Suffix /H)	Weight
ELL/LED/#D/OA	LED slave emergency	6500K	3W	45			0.50Kg

Replace # with AC/DC system Voltage **110** or **230** Volts

OPTIONS

Products incorporating any of the following options are manufactured to order

/-30°C Cold store version (*suitable to ambients down to -30°C*)

/BR Brass surface trim

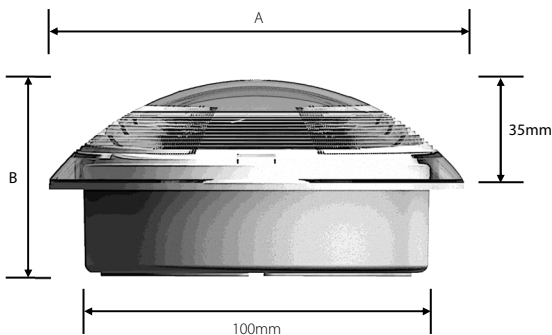
/CH Chrome surface trim

/CR Corridor version

/ST Digital self-test

/WH White surface trim

DIMENSIONS



Luminaire

A: Ø 120mm x B: Depth 67mm (35mm below ceiling)

Emergency Pack

Ø 75mm x Length 190mm

Cut-Out

Ø 100mm

SPECIFICATION

General

Country of Origin:	United Kingdom
CE Mark Compliance:	CE marked REACH and RoHS compliant
Operating Voltage:	230/240V AC \pm 6% @ 50/60Hz
Manufactured to Standards:	EN60598-2-22
Manufacturing Quality Approval:	ISO9001:2008

Construction

Housing Construction:	850°C compliant polycarbonate
Body Finish:	White
Protection Degree:	IP20
Insulation Class & Supply Voltage:	Class 1 230/240V AC 50/60Hz
Internal Cabling:	105°C single core 0.8mm to BS6500 Grade 5

Gear

Control Gear Manufacturer/Type:	Orbik P1088 LED driver and 13-108 white lambertian LED
Power Factor Correction:	>0.56
Batteries Employed	3 x 2.2Ah special construction Ni-MH
Radio Interference Manufactured to:	EN55015
Harmonics Manufactured to:	EN61000-3-2 Class C
Power Consumption:	8W maximum to 4W nominal
Charge Current:	90mA to 125mA
Discharge Current:	300mA

Diffuser

Reflector Type:	Silvered 850°C compliant polycarbonate
Diffuser Material:	Self-extinguishing polycarbonate
Diffuser Type:	Patterned
Diffuser Finish:	Clear polished
Total Luminaire Output:	45 lumens

LED

LED Type:	Various
LED Colour:	6500K
Average Rated Life:	50,000 hours
Colour Render Index:	Ra>60



HEAD OFFICE ORBIK LIMITED, ORBIK HOUSE, NORTHGATE WAY, ALDRIDGE, WALSALL, WEST MIDLANDS, WS9 8TX, UNITED KINGDOM
SALES CONTACT TEL: 01922 743515 * FAX: 01922 743173 * EMAIL: sales@orbik.co.uk
UK ELECTRICAL WHOLESALE SALES CONTACT TEL: 01922 745024 * FAX: 01922 745124 * EMAIL: uksales@orbik.co.uk
EXPORT SALES CONTACT TEL: +44 (0) 1922 743515 * FAX: +44 (0) 1922 743173 * EMAIL: export@orbik.co.uk

www.orbik.co.uk



FM09128

