

# MULTIA

Stylish and comprehensive range of downlights



## IMAGES

- A. Multia with white trim
- B. Multia with IP44 cover and brass trim
- C. Multia with drop glass and chrome trim

## FEATURES

### All Models

- Comprehensive range supported by a wide range of options providing solutions to many interior applications
- Unique design enhances thermal dissipation and excellent performance
- Control gear is housed within a robust polycarbonate box in mains versions with an additional steel box to fit emergency gear

### LED Models Only

- Extended LED life greater than 36,000 hours
- CRI 80 (minimum)
- 4000K colour temperature as standard
- All LED luminaires in this range have a lumens/Watt rating greater than 75 lm/W
- All stated lumens are actual luminaire output

## CATALOGUE NUMBERS & INFORMATION

### Mains Luminaires

Cat No	Light Source & Mode	Colour Temperature	MAINS LUMENS			Weight
			Standard Output	Economy Output (Suffix /E)	High Output (Suffix /H)	
MU/LED	LED mains	4000K	2250			1.60Kg
MU18	18W TC-D compact fluorescent mains	3500K	1150			2.42Kg
MU218	2 x 18W TC-D compact fluorescent mains	3500K	2300			3.25Kg
MU26	26W TC-D compact fluorescent mains	3500K	1800			2.42Kg
MU226	2 x 26W TC-D compact fluorescent mains	3500K	3600			3.25Kg

### Emergency Luminaires

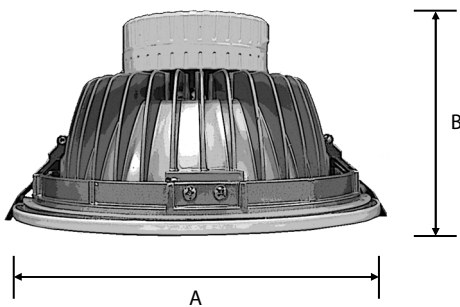
Cat No	Light Source & Mode	Colour Temperature	EMERGENCY LUMENS			Weight
			Standard Output	Economy Output (Suffix /E)	High Output (Suffix /H)	
MU/LED/M3	LED M3 emergency	4000K	350			4.90Kg
MU18/M3	18W TC-D compact fluorescent M3 emergency	3500K	276			4.52Kg
MU218/M3	2 x 18W TC-D compact fluorescent M3 emergency	3500K	276			5.35Kg
MU26/M3	26W TC-D compact fluorescent M3 emergency	3500K	324			4.52Kg
MU226/M3	2 x 26W TC-D compact fluorescent M3 emergency	3500K	324			5.35Kg

## OPTIONS

Products incorporating any of the following options are manufactured to order

- /AD Intelligent addressable luminaire
- /DAE DALI emergency mode only
- /DAEM DALI mains and emergency mode
- /DAM DALI mains mode only
- /DIM Dimmable control gear
- /MU/BR Brass trim
- /MU/CH Chrome trim
- /MU/DG/BR Drop glass with brass trim
- /MU/DG/CH Drop glass with chrome trim
- /MU/DG/WH Drop glass with white trim
- /MU/IP/BR IP44 cover with brass trim
- /MU/IP/CH IP44 cover with chrome trim
- /MU/IP/WH IP44 cover with white trim
- /ST Digital self-test

## DIMENSIONS



### Luminaire Dimensions with Trim or IP44 Cover

A: Ø 226mm x B: 198mm

### Luminaire Dimensions with Drop Glass

A: Ø 226mm x B: 218mm  
(Drop glass is 20mm below the ceiling)

**Cut-Out**  
Ø 208mm

# SPECIFICATION

## General

Country of Origin: United Kingdom  
CE Mark Compliance: CE marked REACH and RoHS compliant  
Manufactured to Standards: EN60598-2-22: 1999  
Manufacturing Quality Approval: ISO9001:2008

## Construction

Housing Construction: Polycarbonate  
Body Finish: White powder coated as standard (brass and chrome finishes available to order)  
Protection Degree: IP20 as standard (IP44 versions available to order)  
Insulation Class & Supply Voltage: Class 1 230-240V AC 50/60Hz  
Internal Cabling: 90°C single core 0.8mm to BS6500 Grade 5

## Gear

Control Gear Manufacturer/Type: LED mains versions: Various  
LED emergency versions: LCMR580V  
Fluorescent mains versions: Helvar ballast  
Fluorescent emergency versions: Helvar ballast and Orbik P1028 PCB  
Power Factor Correction: >0.90  
Radio Interference Manufactured to: EN55015  
Harmonics Manufactured to: EN61000-3-2 Class C  
Batteries Employed: 4Ah Ni-Cd Yuasa cells

## Diffuser

Reflector Material: Aluminium  
Reflector Finish: Silver  
Diffuser Material: SeGlass  
Diffuser Type: Twist and lock  
Diffuser Finish: Clear as standard (IP44 covers are opal finish)

## LED

LED Wattage & Type: Chip-on-board  
LED Colour: 4000K  
Lamp/LED Manufacturer: Various  
Initial Lumen Output: 2250

## Lamps

Lamp Wattage & Type: 18W or 26W TC-D compact fluorescent  
Lamp Colour: 3500K  
Lamp/LED Manufacturer: Various



HEAD OFFICE ORBIK LIMITED, ORBIK HOUSE, NORTHGATE WAY, ALDRIDGE, WALSALL, WEST MIDLANDS, WS9 8TX, UNITED KINGDOM  
SALES CONTACT TEL: 01922 743515 \* FAX: 01922 743173 \* EMAIL: sales@orbik.co.uk  
UK ELECTRICAL WHOLESALE SALES CONTACT TEL: 01922 745024 \* FAX: 01922 745124 \* EMAIL: uksales@orbik.co.uk  
EXPORT SALES CONTACT TEL: +44 (0) 1922 743515 \* FAX: +44 (0) 1922 743173 \* EMAIL: export@orbik.co.uk

[www.orbik.co.uk](http://www.orbik.co.uk)

