



Kehled

Product Data Sheet



www.orbik.co.uk

Kehled



Mains
Luminaire

Emergency
Luminaire

LED
Luminaire

Sleek and elegantly profiled LED luminaire

Kehled is a low profile LED panel luminaire with a minimalistic design that is suitable for ceiling or wall mounting. Available in two body lengths, **Kehled** provides versatility for various lighting applications.

Kehled's steel body is designed to provide enhanced thermal dissipation and the use of high quality, long-life LED arrays together with its attractive opal diffuser give uniform and visually comfortable light distribution across the panel.

The attractive and unobtrusive design of **Kehled** ensures its suitability for use in offices, meeting rooms and reception areas.



Kehled size A

Catalogue Numbers

Mains Luminaires

Cat No	Lamp & Mode	Mains Lumens	Weight
KEH/LED/A	LED mains size A	1680	4.30Kg
KEH/LED/B	LED mains size B	3360	8.60Kg

Emergency Luminaires

Cat No	Lamp & Mode	Emergency Lumens	Weight
KEH/LED/M3/A	LED M3 size A	490	5.20Kg
KEH/LED/M3/B	LED M3 size B	490	9.50Kg



Kehled size B

Options

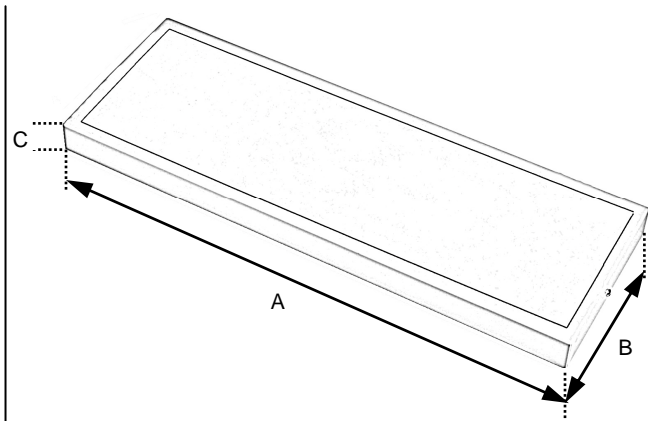
Suffix:

/AD	Intelligent addressable luminaire
/ST	Digital self-test luminaire
/WS	4 point wire-suspension kit

Specification

Body:	Sheet steel with white gloss powder coated finish
Diffuser:	Opal prismatic polycarbonate
Charger LED:	Constant current with green LED for mains healthy and connected battery
LED's:	Size A: 70 x 0.2W high lumen/Watt Size B: 140 x 0.2W high lumen/Watt

Dimensions



Luminaire	A (Length)	B (Width)	C (Height)
Size A	600mm	240mm	54mm
Size B	1100mm	240mm	54mm

Technical Information

Luminaire data files are available for inclusion into lighting design software packages. Photometric data is available at www.relux.biz and further lighting design information is available from our catalogue or www.orbik.co.uk.

Installation Instructions

- Connect the mains cable(s), which should be a maximum of 1mm² solid core.
- The supply for a non-maintained emergency circuit must be unswitched and is connected to the unswitched input.
- The supply to a non-emergency circuit can be switched and is connected to the switched input.
- If a single unswitched supply is used for both emergency and normal use a link should be connected between the unswitched supply and switched supply terminals.
- Mark the battery pack with date of installation and connect the battery to the module.
- For testing purposes a fused spur or keyswitch should be included in the unswitched supply.