

ORBİK



Tiel

Product Data Sheet



www.orbik.co.uk



Mains
Exit Sign

Emergency
Exit Sign

LED
Exit Sign

IP65 double sided exit sign

Tiel is a robust IP65 ceiling mounted double sided white polycarbonate exit sign, suitable for surface mounting or semi-recessing installations.

Tiel's IP65 rating and optional tamper-resistant screws make it the ideal choice for all public areas.

Tiel is supplied with two self-adhesive legends as standard enabling flexibility of use as either a single sided or double sided ceiling mounted exit sign.

Catalogue Numbers

Mains Luminaires

Cat No	Lamp & Mode	Mains Lumens	Weight
T18	8 Watt mains	400	0.90Kg
TI/LED	LED mains	125	0.90Kg

Emergency Luminaires

Cat No	Lamp & Mode	Emergency Lumens	Weight
T18/NM3/E	8 Watt NM3 economy output	80	1.20Kg
T18/NM3	8 Watt NM3 standard output	120	1.20Kg
T18/NM3/H	8 Watt NM3 high output	180	1.20Kg
T18/M3/E	8 Watt M3 economy output	80	1.45Kg
T18/M3	8 Watt M3 standard output	120	1.45Kg
T18/M3/H	8 Watt M3 high output	180	1.45Kg
T12X8/NM3	2 x 8 Watt NM3 standard output	150	1.70Kg
T12X8/NM3/H	2 x 8 Watt NM3 high output	250	1.70Kg
TI/LED/M3	LED M3	125	1.20Kg

Slave Exit Signs

Cat No	Lamp & Mode	Emergency Lumens	Weight
T18/#D	8 Watt slave exit sign	275	0.85Kg
TI/LED/#D	LED slave exit sign	125	0.90Kg

For fluorescent versions replace # with AC/DC system Voltage **24, 50, 110** or **230** Volts; for LED versions replace # with AC/DC system Voltage **110** or **230** Volts

Options

Suffix:

/TI/WH	White semi-recessing kit
/AD	Intelligent addressable luminaire
/DALI	DALI emergency control gear
/HF	High frequency ballast
/ST	Digital self-test luminaire
/TS	Push to test switch
/VR	Anti-tamper screws

Specification

Body:	ABS polycarbonate
Charger:	Constant current with green LED for mains healthy and connected battery
Lamps:	8 Watt T5 fluorescent
LED's:	5 x 0.2W high lumen/Watt LED (125 lumens per Watt)

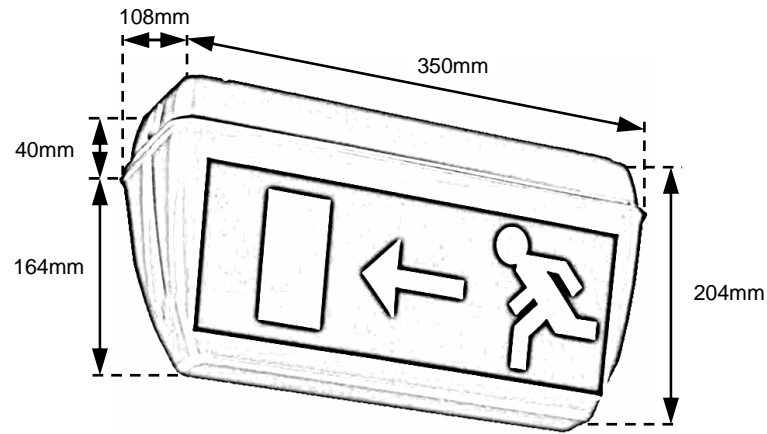


Standard Tiel exit sign



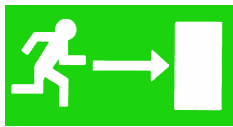
Tiel fitted with white semi-recessing kit

Dimensions



Cut-Out Dimensions: Length 330mm x Width 90mm
Viewing Distance: 28 Metres

Legend Panels



L16



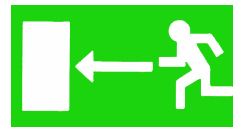
L17



L18



L19



L20

Technical Information

Lighting design information is available from our catalogue or www.orbik.co.uk.

Installation Instructions

- Connect the mains cable(s), which should be a maximum of 1mm² solid core.
- The supply for a non-maintained emergency circuit must be unswitched and is connected to the unswitched input.
- The supply to a non-emergency circuit can be switched and is connected to the switched input.
- If a single unswitched supply is used for both emergency and normal use a link should be connected between the unswitched supply and switched supply terminals.
- Mark the battery pack with date of installation and connect the battery to the module.
- For testing purposes a fused spur or keyswitch should be included in the unswitched supply.