

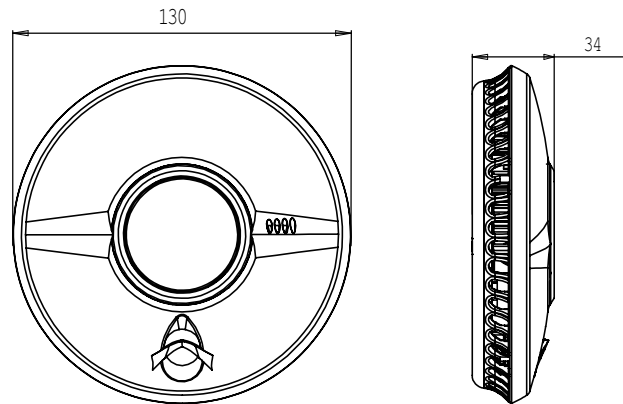
10 Year Thermoptek Smoke Alarm

A.K.A. 10 Year Life Thermally Enhanced Optical Smoke Alarm

Product Image



Product Dimensions (mm)




Model Number	ST-622
Retail Description	N/A
Retail EAN Number	N/A
Retail Packaging Format	N/A
Retail Packaging Dimensions WxHxD	N/A
Retail Packaging Weight	N/A
Retail SRP Quantity	N/A

Product Weight	157g (including power pack)
Alert Type	Loud 85dB Alarm at 3 metres
Operating Temperature	+4°C to +38°C
Operating Humidity	Up to 90% RH% non-condensing
Installation Positions	Ceiling / Wall
Approvals	Certified to BS EN 14604:2005
Additional Testing	Approved for use in leisure and accommodation vehicles

Trade Description	10 Year Thermoptek Smoke Alarm with low battery warning silence
Trade EAN Number	N/A
Trade Packaging Format	Recycled Cardboard Box
Trade Packaging Dimensions WxHxD	134mm x 134mm x 41mm
Trade Packaging Weight	208g (Including alarm, manual and boxes)
Trade Outer Box Quantity	20

Health & Safety Information	
Storage Temperature	-20°C to +60°C
Storage Humidity	Up to 93% RH% non-condensing
Storage Licensing Requirement	N/A
Isotope Activity	N/A

Warranty	10 years
Technology	Thermoptek Optical Sensor
Operation AC/DC	DC
Battery Type	Non-removable integrated lithium power pack - 10 year life in normal operating conditions



BS EN 14604:2005
KM 557789

