

ORBİK



Pico

Product Data Sheet



www.orbik.co.uk



Mains
Exit Sign

Emergency
Exit Sign

LED
Exit Sign

Low profile single sided emergency exit box

The **Pico** range of low-profile single sided fluorescent exit signs are manufactured from sheet steel and are available in high quality white, brass or chrome options.

This competitively priced high quality exit sign is available as a mains option, with three hour non-maintained and maintained emergency versions.

The **Pico** LED version utilises high quality manufacturing design to maximise the high performance and efficiency of the LED's which provide a reliable lamp life of approximately 50,000 hours.

Pico exit signs are only 65mm deep and are supplied as standard with a rear centre BESA entry, keyhole mounting slots and an opal threshold downlight panel to illuminate the area below the sign.

Pico is supplied with removable end-caps, which enable the legend to be removed via either end of the luminaire allowing the **Pico** to be suitable for cornered installations.



Standard white finish **Pico**

Catalogue Numbers

Mains Exit Signs

Cat No	Lamp & Mode	Mains Lumens	Weight
PIC8	8 Watt white mains	400	2.50Kg

Emergency Exit Signs

Cat No	Lamp & Mode	Emergency Lumens	Weight
PIC8/NM3/E	8 Watt white NM3 economy output	80	2.60Kg
PIC8/M3/E	8 Watt white M3 economy output	80	2.90Kg
PIC8/NM3	8 Watt white NM3 standard output	120	2.60Kg
PIC8/M3	8 Watt white M3 standard output	120	2.90Kg
PIC/LED/M3	LED white M3	125	2.50Kg

Slave Exit Signs

Cat No	Lamp & Mode	Emergency Lumens	Weight
PIC8/#D	8 Watt white slave emergency	275	2.30Kg
PIC/LED/#D	LED white slave emergency	125	2.30Kg

For fluorescent versions replace # with AC/DC system Voltage **24, 50, 110** or **230** Volts; for LED versions replace # with AC/DC system Voltage **110** or **230** Volts

Colour Finishes & Options

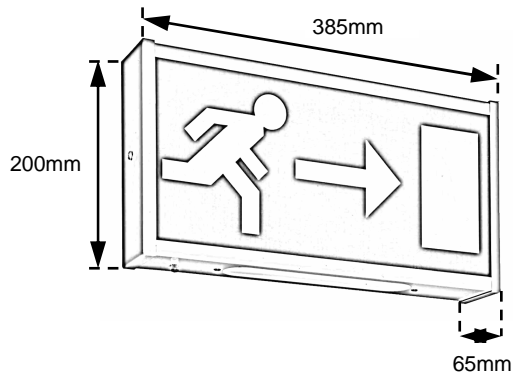
Suffix:

/AD	Intelligent addressable luminaire
/HF	High frequency ballast
/ST	Digital self-testing luminaire
/TS	Push-to-test switch

Specification

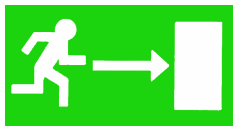
Body:	Sheet steel
Legend Panel:	Flame retardant polycarbonate
Charger LED:	Constant current with green LED for mains healthy and connected battery
Lamps:	8 Watt T5 fluorescent
LED's:	15 x 0.2W high lumen/Watt LED (125 lumens per Watt)

Dimensions



Viewing Distance: 36 Metres

Legend Panels



L16



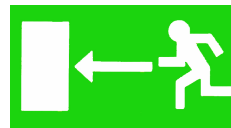
L17



L18



L19



L20

Technical Information

Lighting design information is available from our catalogue or www.orbik.co.uk.

Installation Instructions

- Connect the mains cable(s), which should be a maximum of 1mm² solid core.
- The supply for a non-maintained emergency circuit must be unswitched and is connected to the unswitched input.
- The supply to a non-emergency circuit can be switched and is connected to the switched input.
- If a single unswitched supply is used for both emergency and normal use a link should be connected between the unswitched supply and switched supply terminals.
- Mark the battery pack with date of installation and connect the battery to the module.
- For testing purposes a fused spur or keyswitch should be included in the unswitched supply.