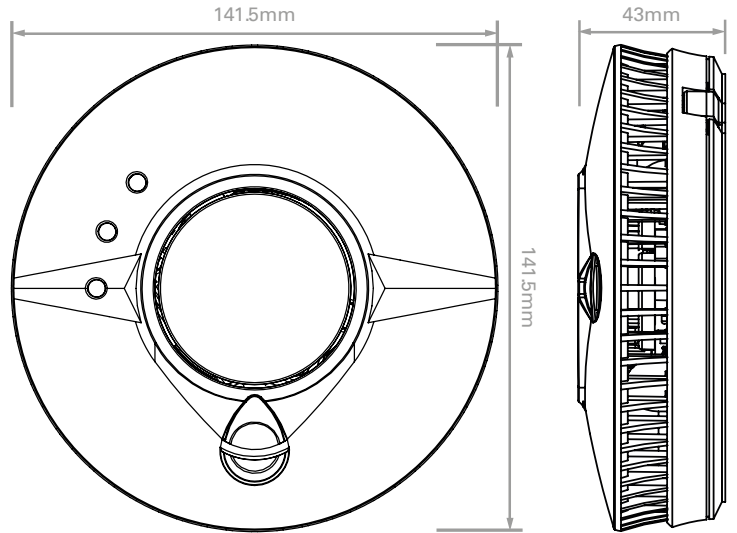


## ST-230

230V Mains Powered Thermoptek Optical Smoke Alarm with 10 Year Sealed for Life Battery Back-up



**Weight: 288g**

### Product Features

- 10 year lithium battery back-up - no need to worry about changing the battery.
- Hardwire interlink with up to 30 other FireAngel Pro alarms.
- Thermoptek technology - optical sensor with thermal enhancement provides faster reaction to all fire types in a single alarm.
- Modern design.
- Combined central test, silence and locate button.
- Ultra slim, integrated mounting base for easy installation.
- Intelligent locate feature - silence all but the initiating alarm on a network.
- Can be used on a network of battery and mains powered products, using both hardwire interconnected and wirelessly interlinked products.

### Technical Specification

<b>Supply voltage</b>	230V AC, 50Hz
<b>Battery back-up</b>	10 year sealed for life lithium battery
<b>Technology</b>	Thermoptek - thermally enhanced optical sensor
<b>Installation positions</b>	Ceiling / Wall
<b>Maximum number of connected units</b>	30 hardwire interconnected
<b>Alarm sound level</b>	85dB (A) at 3m (minimum)
<b>Plastic material</b>	ABS, (UL94 V0 flame retardant)
<b>Approvals</b>	BS 14604: 2005
<b>Normal operating temperature</b>	+4°C to +38°C
<b>Normal operating humidity</b>	Up to 90% RH non-condensing
<b>Storage temperature</b>	-20°C to +60°C
<b>Storage humidity</b>	Up to 93% RH non-condensing



0086  
0086-CPR-557790  
EN 14604: 2005  
DOP:SADOP-ST-230



BS EN 14604: 2005  
Licence No: KM557789