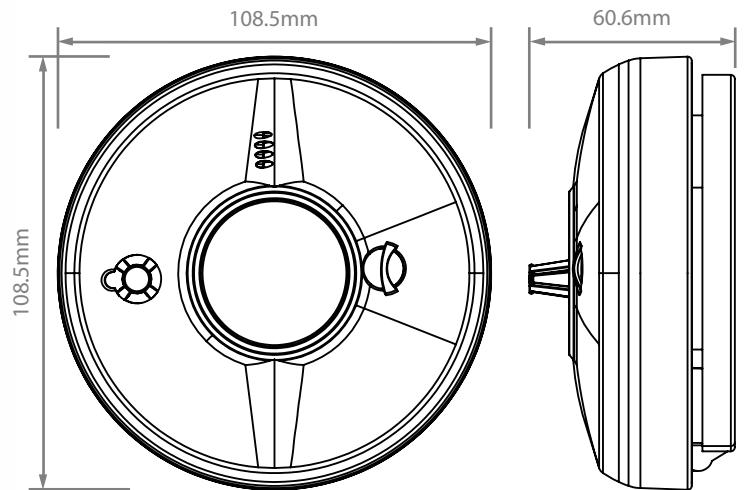


FireAngel

HA300LFQ

Long Life Kitchen Heat Alarm



Weight: 112g

Product Features

- Thermistor heat sensing element for accuracy, reliability and stability, ideal for use in the kitchen.
- Hush button silences nuisance alarms.
- Test button for weekly alarm testing.
- LED power and alarm indicator light.
- Replaceable 5 year life 9V battery.
- Loud 85db alarm.
- 5 year warranty.
- Third party certified to BS 5446-2:2003.

Technical Specification

Technology	Thermistor Heat Sensor
Alarm sound level	85dB (A) at 1m (minimum)
Installation positions	Wall / Ceiling
Warranty	5 years
Master pack quantity	3
Approval	BS 5446-2:2003
EAN	5022391065012



BS 5446-2: 2003
Licence No: KM597991

GN3894R1