

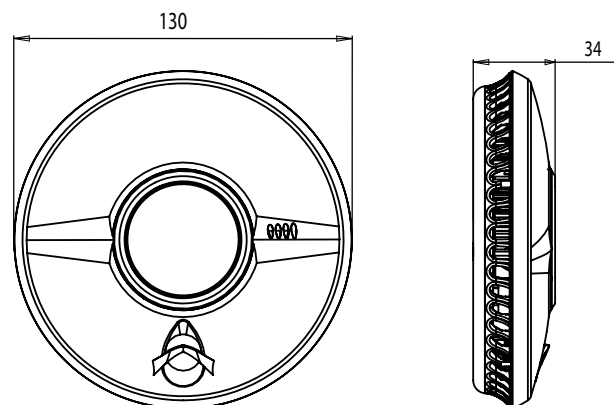
# 10 Year Thermoptek Smoke Alarm

A.K.A. 10 Year Life Thermally Enhanced Optical Smoke Alarm

## Product Image



## Product Dimensions (mm)



<b>Model Number</b>	ST-622
<b>Retail Description</b>	N/A
<b>Retail EAN Number</b>	N/A
<b>Retail Packaging Format</b>	N/A
<b>Retail Packaging Dimensions WxHxD</b>	N/A
<b>Retail Packaging Weight</b>	N/A
<b>Retail SRP Quantity</b>	N/A
<b>Trade Description</b>	10 Year Thermoptek Smoke Alarm with low battery warning silence
<b>Trade EAN Number</b>	N/A
<b>Trade Packaging Format</b>	Recycled Cardboard Box
<b>Trade Packaging Dimensions WxHxD</b>	134mm x 134mm x 41mm
<b>Trade Packaging Weight</b>	208g (Including alarm, manual and fixings)
<b>Trade Outer Box Quantity</b>	20
<b>Warranty</b>	10 years
<b>Technology</b>	Thermoptek Optical Sensor
<b>Operation AC/DC</b>	DC
<b>Battery Type</b>	Non-removable integrated lithium power pack - 10 year life in normal operating conditions

<b>Product Weight</b>	157g (including power pack)
<b>Alert Type</b>	Loud 85dB Alarm at 3 metres
<b>Operating Temperature</b>	+4°C to +38°C
<b>Operating Humidity</b>	Up to 90% RH% non-condensing
<b>Installation Positions</b>	Ceiling / Wall
<b>Approvals</b>	Certified to BS EN 14604:2005
<b>Additional Testing</b>	Approved for use in leisure and accommodation vehicles

### Health & Safety Information

<b>Storage Temperature</b>	-20°C to +60°C
<b>Storage Humidity</b>	Up to 93% RH% non-condensing
<b>Storage Licensing Requirement</b>	N/A
<b>Isotope Activity</b>	N/A



BS EN 14604:2005  
KM 557789