

ST-620 Datasheet

10 Year Thermoptek Smoke Alarm

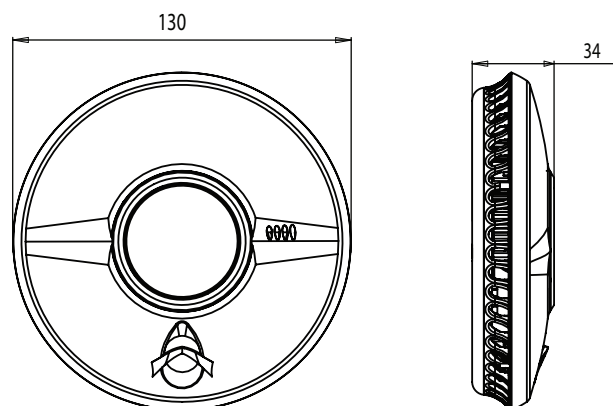
A.K.A. 10 Year Life Thermally Enhanced Optical Smoke Alarm

GN0727/R2

Product Image



Product Dimensions (mm)



Model Number	ST-620
Retail Description	N/A
Retail EAN Number	N/A
Retail Packaging Format	N/A
Retail Packaging Dimensions WxHxD	N/A
Retail Packaging Weight	N/A
Retail SRP Quantity	N/A
Trade Description	10 Year Thermoptek Smoke Alarm
Trade EAN Number	N/A
Trade Packaging Format	Recycled Cardboard Box
Trade Packaging Dimensions WxHxD	134mm x 134mm x 41mm
Trade Packaging Weight	210g (Including alarm, manual and fixings)
Trade Outer Box Quantity	20
Warranty	10 years
Technology	Thermoptek Optical Sensor
Operation AC/DC	DC
Battery Type	Non-removable integrated lithium power pack - 10 year life in normal operating conditions

Product Weight	162g (including power pack and mounting plate)
Alert Type	Loud 85dB Alarm at 3 metres
Operating Temperature	+4°C to +38°C
Operating Humidity	Up to 90% RH non-condensing
Installation Positions	Ceiling / Wall
Approvals	Certified to BS EN 14604:2005
Additional Testing	Approved for use in leisure and accommodation vehicles

Health & Safety Information

Storage Temperature	-20°C to +60°C
Storage Humidity	Up to 93% RH non-condensing
Storage Licensing Requirement	N/A
Isotope Activity	N/A



10
0086-CPD-557790
Smoke alarm devices
BS EN 14604:2005



BS EN 14604:2005
KM 557789



FireAngel[®]

FireAngel Ltd.
Vanguard Centre, Sir William Lyons Road
Coventry, CV4 7EZ, United Kingdom

Tel: +44 (0)24 7771 7700
Fax: +44 (0)24 7669 3610
Web: www.fireangel.co.uk