

Panic Exit Hardware

378
378.D

Introduction

The Briton 378 push bar panic exit device with single rim latch is suitable for single and double doors in combination with the Briton 376 panic bolt. Designed to satisfy requirements for panic and emergency exit applications, this reliable exit solution is site reversible for left and right hand applications.



378.SE

Features & Functions

- Rim panic latch with single point latching.
- Products designed to satisfy panic exit applications or emergency exit applications.
- Tested in excess of 200,000 cycles.
- Suitable for single doors and double doors in combination with Briton 376 panic bolt.
- Handing reversible on-site.
- Durable aluminium die cast body and end boxes.
- Tubular steel cross bar can be cut on-site to suit door width.
- All versions supplied complete with fixings, installation instructions and self adhesive "Push Bar to Open" signage.
- Available in sprayed silver and plated metallic finishes.
- Options include manual hold-open (dogging)



Certification

CE Marked to EN 1125 (AAA011) and EN 179

Fire tested to EN 1634 for use on fire doors up to 2hr timber / 4hr steel

Certifire Approved

Environmental Product Declaration in accordance with ISO 14025 and EN 15803

DoP available at www.britondops.co.uk

Panic Exit Latch 378 & 378.D

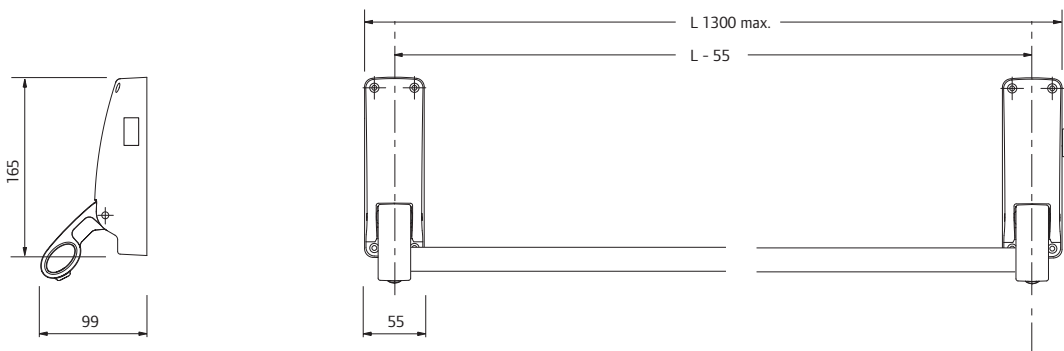
Product features	Product references	
	378	378.D
CE marked	■	■
Panic exit device to EN 1125	■	■
Emergency exit device to EN 179	■	■
Device type	Push bar	Push bar
Locking points	Single point rim latch	Single point rim latch
Suitable for single doors	■	■
Suitable for double door combinations	✱	✱
Min. / Max. door width (per leaf)	665mm/1300mm	665mm/1300mm
Push bar cut on site	■	■
Site reversible	■	■
Dogged hold-open facility		■
Finishes available	SE, SS*, PB*, PS*	SE, SS*, PB*, PS*
CE Classification	376B1322AA	376B1322AA

■ Standard □ Available as an option/variant

✱ Used in combination with Briton 376 vertical bolt device on rebated double doors where the 378 rim latch is fitted to the first opening leaf.

[Click for Autocad drawings](#) 

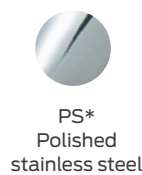
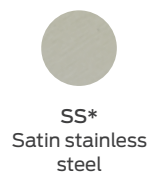
Briton 378 Panic Rim Latch



All dimensions are in mm

Finishes

Available in sprayed silver and PVD plated finishes.



* PVD plated finishes