

BRITANNIA

Premier Stored Pressure Extinguisher

BFS6 – F Class



The formulation of the chemical in this extinguisher is based on nitrogenated derivatives and ammonium salts of phosphoric acid and hydrocarbon and fluorinated surfactants in aqueous solution. The extinguishing mechanism being that the chemical has a very strong smothering action on cooking oil type fires and forms a very compact foam on the surface preventing re-ignition.

This model has passed the requirements of BS EN3 for the suitability of being used on live electrical equipment.

This product will extinguish class A (carbonaceous) fires and class F (cooking oil) fires.



Features

- ❖ Approved and certified to BS EN3
- ❖ Kite-marked product
- ❖ CE-marked in accordance with the PED
- ❖ Diecast zinc colour coded headcap
- ❖ Large neck ring enables servicing and refilling to be conducted with ease
- ❖ Safe and reliable
- ❖ Quality assured for long service life
- ❖ Manufactured in Great Britain

Technical Specification

Model	Capacity (Litres)	Fire Rating	Full Weight (Kgs)	Temp Range	Operating Pressure (Bar) @ 20°C	Discharge Duration (Secs)	Discharge Range (M)	Diameter (mm)	Height (mm)
BFS6	6	13A/75F	11.7	0° to +60°C	9	57	3	165	570

Britannia Fire reserve the right to alter the specification of the product without prior notice



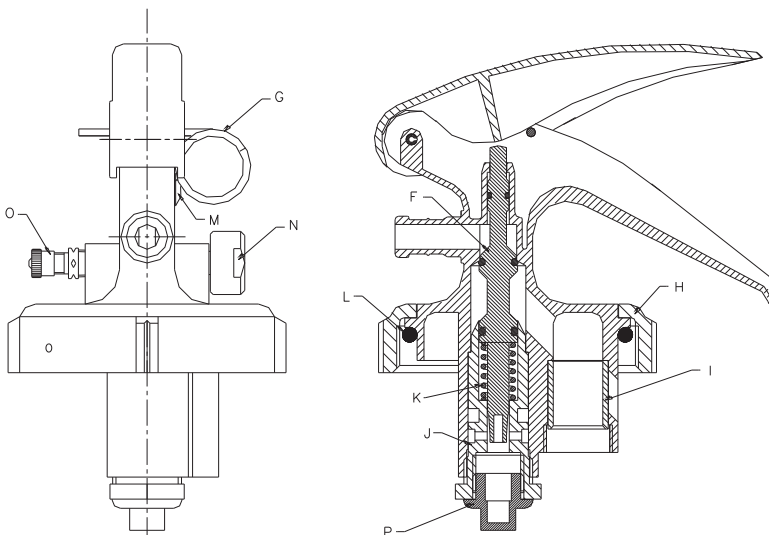
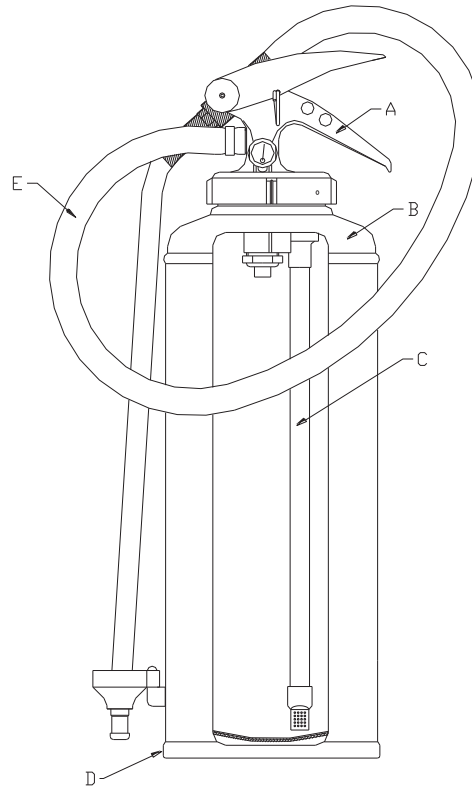
Tel +44 (0)1508 488416
www.Britannia-Fire.co.uk

ADDITIONAL SPECIFICATIONS

Operating Pressure @ 20°C	9bar
Test Pressure (PT)	26bar
Maximum Allowable Pressure (PS)	18bar
Minimum Burst Pressure	55bar
Cylinder Material	1.6mm Thick Mild steel to EN 10111 - DD12
Operating Head material	Zinc Alloy to EN 1774 - ZnA14 (ZL3)
Hose	EPDM Synthetic rubber
Finish	Polyester Powder Paint

COMPONENT PARTS

ITEM	DESCRIPTION	PART No.
A	Headcap Assy	BRH0025Y
B	Welded Body Assy	BODYMXL
C	Syphon Tube Assy	BR0404
D	Skirt Ring	BRH0465
E	Hose Assy	BR0518
F	Valve Control Spindle Assy	BRH0401
G	Safety Pin	BRH0180
H	Nutring	BRH0105
I	Sleeve	BRH0150
J	Control Spindle Insert	BRH0120
K	Spring	BRH0200
L	O Ring	BRH0230
M	Service Indicator Stud	BRH0185
N	Gauge Assy	BRHE0281
O	Schrader Valve	BRH0270
P	Cartridge Plug	BRH0290
-	Pull Tight Seal (not shown)	BRH0175
-	Wall Bracket (not shown)	BRH0195
-	Transport Brkt & Strap (not shown)	BRH0313
-	Tool Kit (C & Ring spanners)	TK100



HEADCAP GENERAL ASSEMBLY



LICENCE NO. KM 6832

CE
0086



Britannia Fire Ltd