

SMART+GUARD PROTECTIVE COVER

Manufactured in the UK by VimpeX, Smart+Guard is a tough polycarbonate hinged protective cover that can easily be installed over a range of call points, emergency switches and other devices to provide protection from vandalism, accidental damage or misuse.

Available with an integral battery powered alarm, that when lifted emits an ear piercing 90 dB alarm, warning the user that the device is for emergency use only and should not be tampered with.

FEATURES

- Aesthetically pleasing but tough retrofitable protective cover
- Easy to install and can be fitted and protecting devices in minutes
- Optional battery powered 90 dB alarm can be fitted increasing the security and protection of the device it is covering
- Alarm has a 3 year battery life and incorporates a low battery warning LED
- A break seal can also be fitted to increase the visible deterrence against misuse
- Available in 5 colours: red, green, yellow, blue and white
- Three surface mounting spacers are available 18 mm, 32 mm (standard) and 50 mm
- Weatherproof version available with 40mm back box

PART NUMBERS

Part No:

SG-F-x	Indoor, No Sounder, Flush Mounting
SG-S-x	Indoor, No Sounder, Surface Mounting
SG-FS-x	Indoor, Integral Sounder, Flush Mounting
SG-SS-x	Indoor, Integral Sounder, Surface Mounting
SG-BBR-x	Smart+Guard, No Sounder in WP Back Box
SG-BBRS-x	Smart+Guard, Integral Sounder in Red WP Back Box
SG-BBC-x	Smart+Guard, No Sounder in WP Clear Back Box
SG-BBCS-x	Smart+Guard, Integral Sounder in WP Clear Back Box
SG-SMS18	Surface Mounting Spacer 18 mm Deep
SG-SMS32	Surface Mounting Spacer 32 mm Deep
(Supplied as standard with surface mount models)	
SG-SMS50	Surface Mounting Spacer 50 mm Deep
x = R for Red, Y for Yellow, G for Green, B for Blue, W for White	

SPARES AND SERVICE REPLACEMENTS

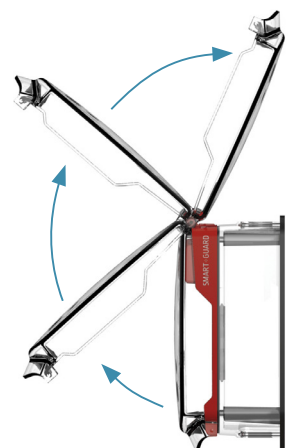
Part No:

SG-BS10	Smart+Guard Break Seals, Pack of 10
SG-SP5	Smart+Guard Service Pins, Pack of 5
SG-WK001	Smart+Guard Surface Mount Weatherproof Kit (2 x Gaskets)
SG-BBR	Back Box, Red
SG-BBC	Back Box, Clear



Break seal component for added security

Fully rotational hinge provides increased protection against vandalism



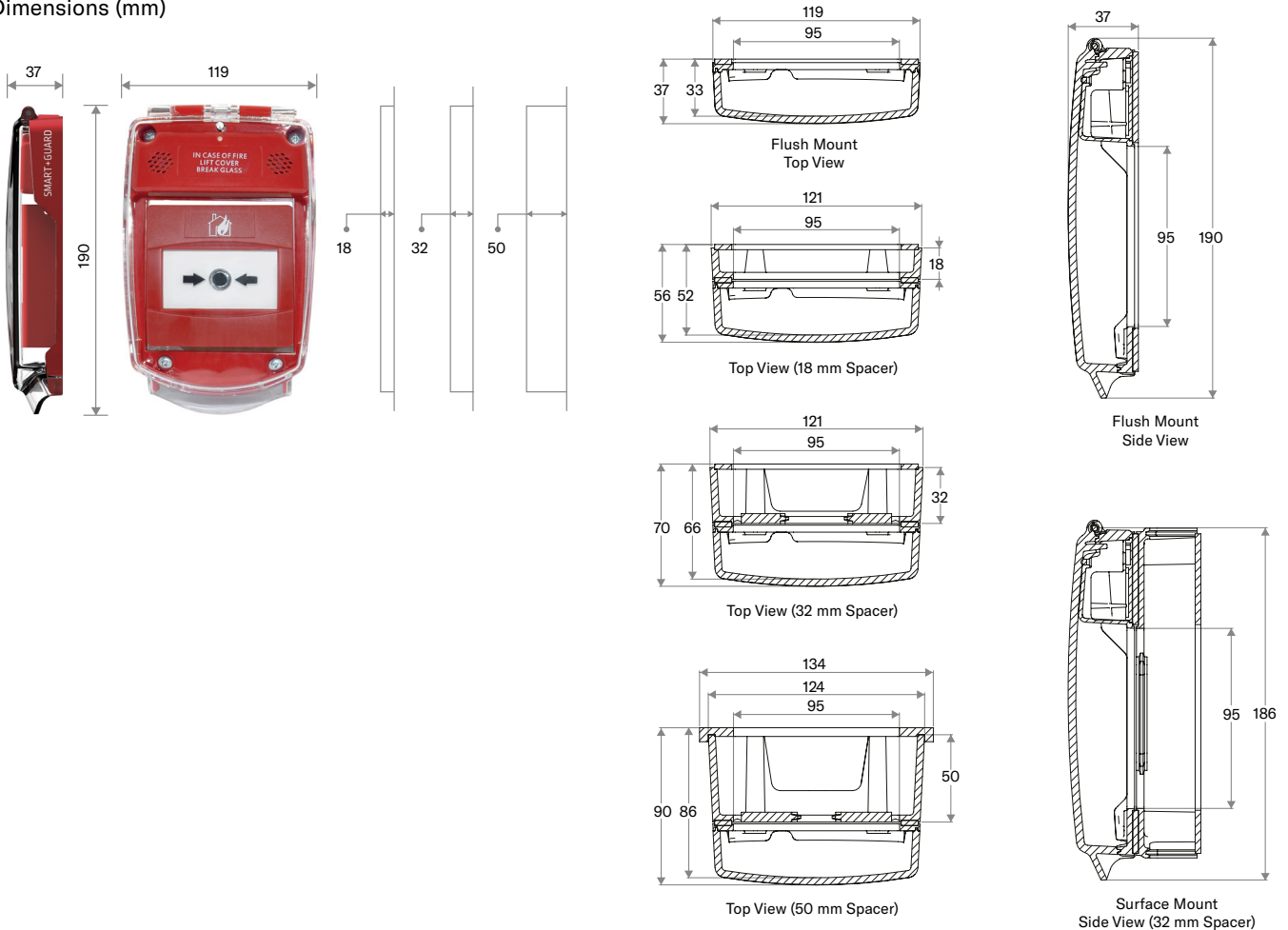
COLOURS



SMART+GUARD
PROTECTIVE COVER

INSTALLATION

Dimensions (mm)



DS/3700059/ISS 6

We reserve the right to change or amend any design or specification in line with our policy of continuing development and improvement.

Vimpex LTD
Star Lane, Great Wakering,
Essex SS3 0PJ, UK
t. +44 (0) 1702 216999
e. sales@vimpex.co.uk
www.vimpex.co.uk

Vimpex Interguard AB
t. +46 (0) 36 37 10 65
e. sales@vimpex.se

