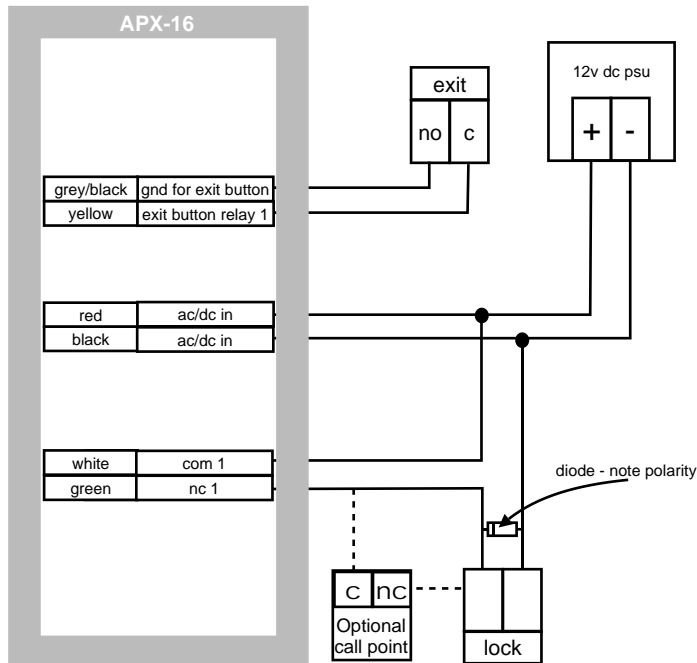
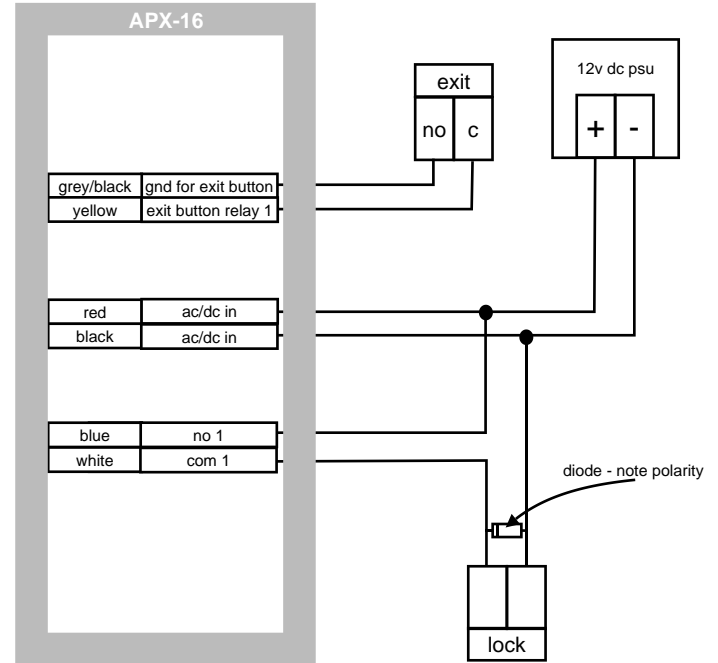


Fail unlocked wiring



Fail locked wiring



Summary

This unit contains two relays.

Relay one can have 1100 codes. Relay two can have a further 200 codes.

Activation of relay one turns the led to green.
 Activation of relay two turns the led to blue.

When programming codes they are allocated against a "user id" number. This "user id" number is then used when deleting codes. Please ensure you maintain a list of codes allocated to each "user id"

Basic Programming

From standby mode (led flashing red)

Enter Programming mode

[*] then [888888] then [#] (led solid)

NOTE: 1234 is reserved and cannot be used as a code

To add an access code to relay one

[1] then [user id (1-1100)] then [#] then [4-6 digit code] then [#]

Leave Programming mode

Press [*] until led back to flashing red

Extended Programming

From standby mode (led flashing red)

Enter Programming mode

[*] then [888888] then [#] (led solid)

To set relay one lock open time (default is 5 seconds)
 [4] then [1] then [lock open time (1-99 secs)] then [#]

To set relay one to toggle mode
 [4] then [1] then [0] then [#]
 ie zero lock open time toggles relay.

To delete code
 [2] then [user id number] then [#]
 Repeat above line to delete additional codes

To restore unit to factory default leaving data intact
 Power up unit with [*] held in until 3 beeps are heard

To delete all codes
 [2] then [0000] then [#] Deletes all data from relay 1
 [9] then [0000] then [#] Deletes all data from relay 2

Leave Programming mode

Press [*] until led back to flashing red