



Door Closer

DORMA TS 71

The inexpensive solution for standard doors – with quality assured

With the TS 71, DORMA has developed a door closer that rounds off its ClassicLine series perfectly. The ease and speed with which it can be fixed, the fact that its spring strength can be so easily adapted to the door size – by simply turning round the hinge plate – and

its competitive price should make it the ideal choice for your application.



Benefits

For the trade

- Increased stocking flexibility thanks to use of the standard ClassicLine series arm.
- Complements the ClassicLine series as a competitive model for standard doors.

For the installer/fabricator

- Non-handed design.
- Easy and quick to fix.

For the architect/specifier

- Competitive and reliable.
- Compact construction combined with classic design.

For the user

- Constant closing action virtually unaffected by temperature fluctuations.
- Optimum closing speed adjustment with two regulating valves.
- Reliable closing with adjustable latching action.

Standard and optional functions

- 1 Closing speed adjustable in the range 180° – 15°.
- 2 Closing speed adjustable in the range 15° – 0°.
- 3 Latching action.
- 4 Hold-open range for model with hold-open arm (optional extra).

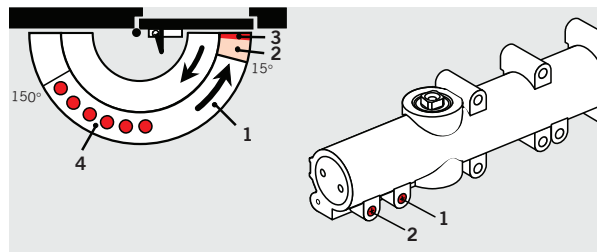
Data and features		TS 71
Spring strength (adjustable by turning round the hinge plate)	Size	EN 3/4
Standard doors	≤ 1100 mm ¹⁾	●
External doors, outward opening		–
Fire doors		●
Non-handed		●
Arm type	Standard	●
	Slide channel	–
Closing speed adjustable at 2 separate valves	180° – 15°	●
	115° – 10°	●
Latching action adjustable (by arm)		●
Backcheck		–
Delayed action		–
Hold-open		○
Weight in kg		1.2
Dimensions in mm	Length	232
	Overall depth	245
	Height	68
Door closer tested and approved to EN 1154		●
CE Marked		●

● Yes – No ○ Option

¹⁾With parallel-arm fixing, the closing force is approx. ¹⁾20 Nm (for doors up to 950 mm)

F Approval Certification

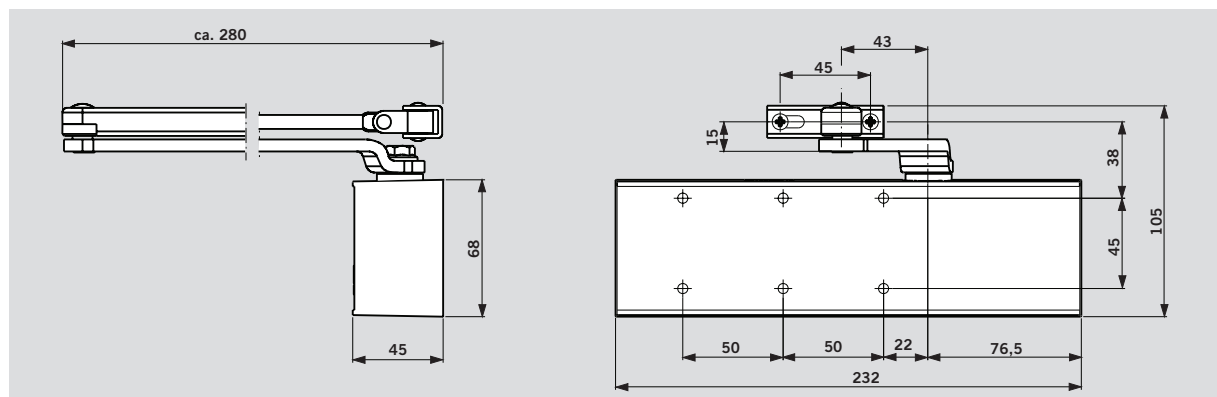
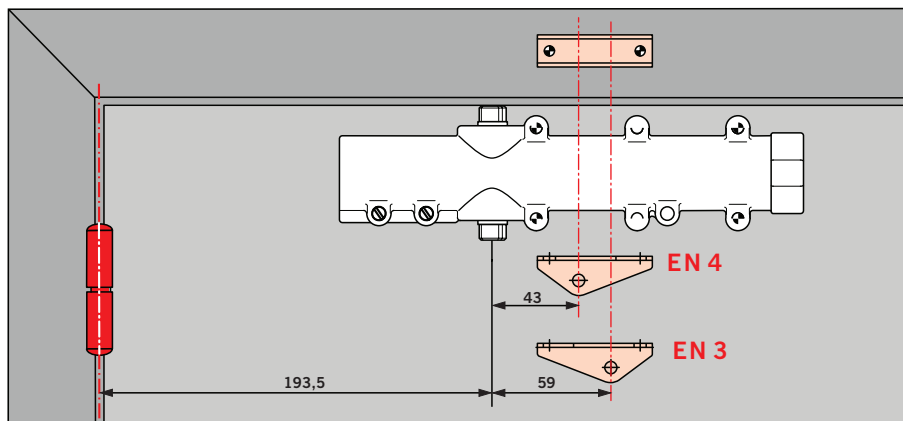
The DORMA TS 71 is CERTIFIRE approved (Certificate No. CF 268) for door types ITT 120



Closing force settings

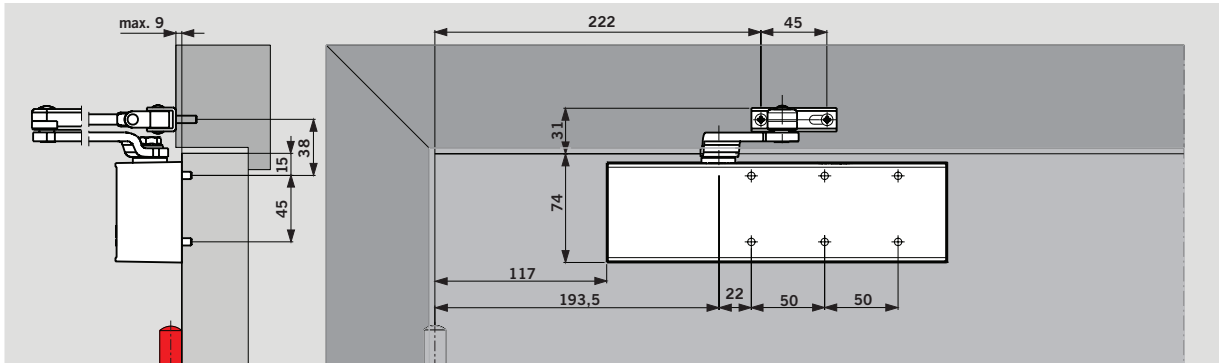
Door width	Setting
≤ 950	EN 3
≤ 1100	EN 4

With the TS 71, the spring strength (size setting) of the closer is adjusted to the door width concerned by merely turning round the hinge plate.



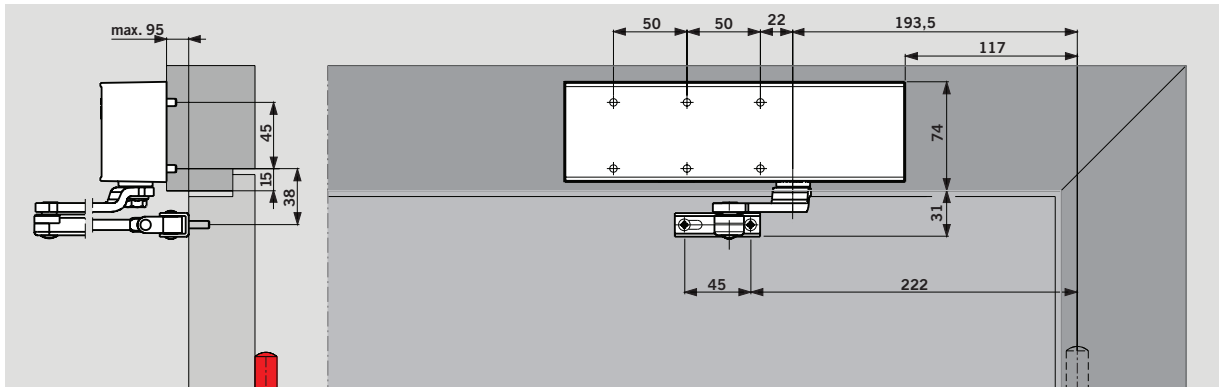
Door leaf fixing, pull side

(Example refers to left-hand [ISO 6] door; mirror image applies to right-hand [ISO 5] door)



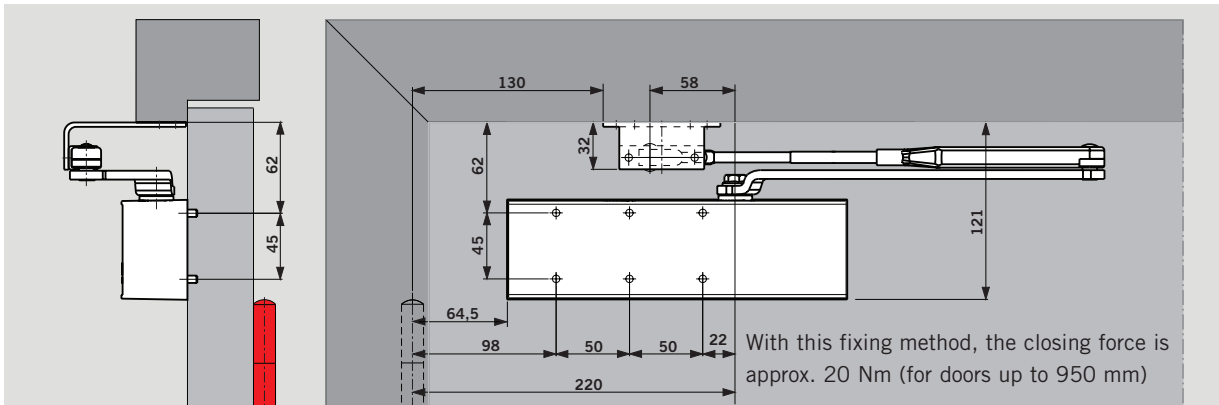
Transom fixing (overhead frame installation), push side

(Example refers to left-hand [ISO 6] door; mirror image applies to right-hand [ISO 5] door)



Parallel-arm fixing, push side

(Example refers to left-hand [ISO 6] door; mirror image applies to right-hand [ISO 5] door). Parallel-arm bracket (accessory) necessary



Standard equipment and accessories

Order No.:

= Closer body with arm and fixing bracket for parallel-arm assembly
 # = Accessory

Colour **xx**
 Silver 01
 Dark brown 03
 White (sim. to RAL 9010) 10
 White (sim. to RAL 9016) 11
 Special colour 09

Closer body TS 71 	Standard arm 	Parallel-arm bracket 	Hold-open arm 220025xx	Mounting backplate 220021xx
Size EN 3/4 (PA Size 3) <input type="checkbox"/>	<input type="checkbox"/> 222124xx		#	#

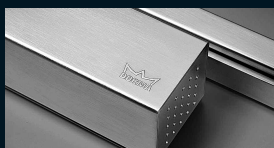
Specification text

Rack-and-pinion door closer with adjustable closing force, size EN 3 or 4, closing speed adjustable in two independent ranges, with adjustable latching action. Non-handed. Tested and approved to EN 1154.

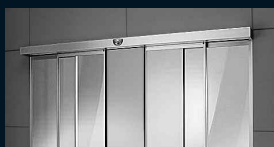
Model
 With standard arm and fixing bracket for parallel-arm assembly
Accessories
 Hold-open arm
 Mounting backplate

Colour
 Silver
 Dark brown
 White (sim. to RAL 9010)
 White (sim. to RAL 9016)
 Special colour _____ (sim. to RAL _____)

Make DORMA TS 71



Door Controls



Automatics



**Glass Fittings
and Accessories**



Movable Walls



Service

DORMA UK Limited

Door Controls Division
Wilbury Way
Hitchin
Hertfordshire
SG4 0AB

Tel: 01462 477600

Fax: 01462 477601

E-mail: hardware@dorma-uk.co.uk

DORMA Ireland Limited

19 Sandyford Office Park
Foxrock
Dublin 18

Tel: 01 295 8280

Fax: 01 295 8284

E-mail: dormadublin@dorma.com

www.dorma-uk.co.uk