

Duct Sleeve - Installation Guide



Introduction

The purpose of this document is to give guidance to approved contractors and suppliers who are engaged in the fire stopping of service penetrations in fire rated structures using the Astro DS Duct Sleeve.

All service holes through floors and compartment walls must be fire stopped to prevent the passage of fire, smoke and hot gases.

Prevent the spread of fire, smoke and hot gases through a building by containing it in the compartment of origin.

Maintain the integrity of escape routes from a building.

Reduce loss or damage to property from the effect of fire and smoke.

Maintain pressure differential between compartments and ventilation channels.

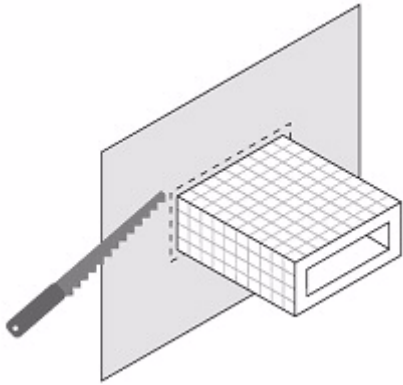
The Astro DS Duct Sleeve System

The ASTROflame range of Astro DS duct sleeves are intended for use where a ventilation duct passes through a fire rated wall. The sleeve maintains the integrity of the fire rated wall which would otherwise be lost.

In the event of a fire, the advanced Astro DS Duct Sleeve will expand with the heat, crushing the duct and closing off the hole to the fire for at least 2 hours.

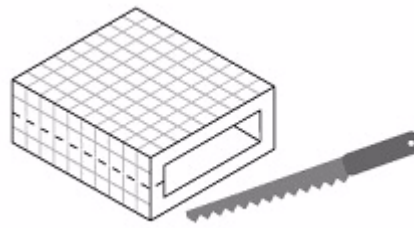
The Ventilation duct sleeves are available to fit all common sizes of plastic ventilation duct and are suitable for retro fitting with access only required from one side

Installation



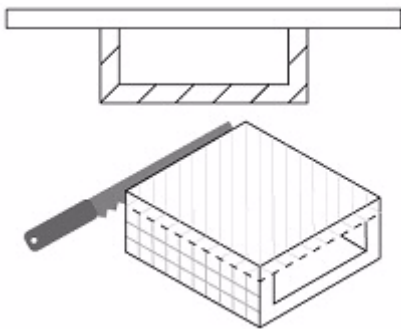
Step 1

* Use the sleeve as a template and cut a hole in the floor or wall to provide a snug fit.



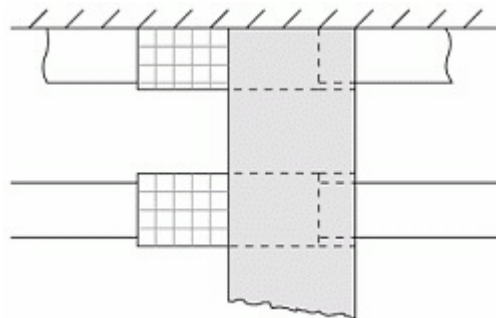
Step 2

If ducting is already in place then cut along the length of the sleeve with a sharp knife, opening the sleeve to wrap around the duct, repair the cut with the tape provided



Step 3

If the duct is running tightly against the ceiling then the adjacent side of the sleeve can be cut away leaving a "U" shaped sleeve.



Step 4

Slide sleeve along the duct and into the cavity, ensuring that the sleeve has at least 25mm protruding from each side

* If a three sided sleeve is required then remove the fourth side prior to using the sleeve as a template.

Compliance

Astro DS Duct Sleeve is manufactured in the EU, meeting the highest quality standard in compliance with ISO EN 9001:2000 . For fire test certification contact Astroflame Fireseals technical department.

Fire Tests

Storage And Disposal

Astro DS Duct Sleeve should be stored indoors. No shelf life is given as this product will not deteriorate in storage.

For additional testing, certification or technical information please contact ASTROFLAME FIRESEALS LTD.

Issue 04/06

As part of our policy of ongoing improvements, we reserve the right to modify, alter or change product specifications without giving notice. Product illustrations are representations only. All information contained in this document is provided for guidance only, and as ASTROFLAME FIRESEALS LTD has no control over the installation methods of the products, or of the prevailing site conditions, no warranties expressed or implied are intended to be given as to the actual performance of the products mentioned or referred to, and no liability whatsoever will be accepted for any loss, damage or injury arising from the use of the information given of products mentioned or referred to herein.

The above information to the best of our knowledge is true and accurate and based upon current test data and is supplied for your guidance only. Customers should satisfy themselves to the suitability of the product in its intended use and no guarantee is given or implied since the conditions of actual use are beyond our control. ASTROflame (Fireseals) Ltd, disclaim any liability for loss, damage or other expense arising from the use of information, data or products mentioned or referred to and reserve the right to change any details or specifications without notice.

Astroflame (Fire Seals) Ltd. Intumescent House
Unit 8, The IO Centre, Stephenson Road, Segensworth
FAREHAM, ENGLAND PO15 5RU

tel 0800 023 2482
(01329 844500)

fax 0800 023 2483
(01329 844600)

intl
tel +44 1329 844500

fax +44 1329 844600

email