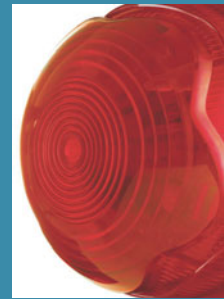


# VIMPEX

## Banshee Excel™ Sounder Range



Fire Alarms

Banshee

Electronic Sounders

BS 5839-1

FlashDome

Evacuation

Audible Alarm

EN 54-3

Beacons

# Banshee Excel™

The Banshee Excel™ range of sounders, beacons, sounder beacons and accessories represents the most modern, acoustically advanced and by far the most versatile range of conventional electronic sounders, combined units and dedicated beacons available on the market today.

All sounders and sounder beacons (apart from the Banshee Excel™ BD Bedroom Sounder) come with 32 user-selectable tones incorporating low frequencies, high frequencies, European, American and Australian norms and all industry-standard frequency patterns. Tested and approved to EN 54 Part 3, the Banshee Excel™ range boasts leading acoustics, aesthetically pleasing designs and low power consumption.



The Banshee Excel™ BS Base Sounder is the thinnest platform sounder on the market and is renowned for its 360° sound dispersal. The Banshee Excel Lite™ sounder beacon units offer all the functionality of the Banshee Excel™ sounders, together with either Xenon or LED beacon technology and several different coloured lenses to enhance the evacuation signal. The Banshee Excel™ FlashDome stand-alone beacon features ultra-efficient LEDs and is ideal for use in fire alarm systems which need to be upgraded or designed for conformity to DDA requirements. Together, the Banshee Excel™ products are unmatched for diversity and ease of installation.

The Banshee Excel™ range is complemented by a wide selection of accessories to suit all applications.

## Banshee Excel™ CH & PH Sounders

Banshee Excel™ is manufactured in flame retardant ABS and is available in three colours, making it suitable for a wide range of alarm and signalling applications.

The unit is available with two different sound modules; model CH is fitted with a professional capsule driven horn, whereas the PH version has an innovative and highly efficient piezo horn for lower-cost applications. All models use the push and twist bayonet fitting Banshee™ base.



- Available with two different horn options
- 32 user-selectable tones - industry standard compatible
- Very low current consumption
- EN 54-3 tested and compliant with the CPD
- VdS approved and LPCB approval pending
- Uses same bases as Banshee™ - simple push and twist bayonet mounting with locking screw
- Available in three colours - red, white or grey
- Easy to install with side and rear cable entry
- Robust 'two in two out' 2.5 mm<sup>2</sup> terminals
- Three selectable volume levels
- Rated to IP66 or IP45
- Extensive family of accessories for a wide range of applications
- Recyclable



## Banshee Excel™ BS Base Sounder

The slimmest sounder in its class, the Banshee Excel™ BS supplies true omni-directional sound output and is fully compatible with the other sounders in the range.



- 32 tones designed to be compatible with other Banshee Excel™ sounders
- EN 54-3 tested and compliant with the CPD
- Slimmest profile in the industry
- Low current consumption
- Available in white or ivory to match to detectors
- Omni-directional sound (see Polar Plot page 5)
- Front plate for stand-alone use available
- Three selectable volume levels
- Installer friendly terminals
- Ceiling or wall mounting
- Robust and easily connected 'two in two out' 2.5 mm<sup>2</sup> terminals
- Supplied with fixing screws



## Banshee Excel Lite™ CHX, CHL & PHL Sounder Beacons

The Banshee Excel Lite™ combines the aesthetics and performance of the Excel Sounder with either a very bright and efficient Xenon Beacon (CHX model) or a low-current LED Beacon (CHL & PHL models). The LED Beacon version is available with either the professional capsule driven horn (CHL) or the piezo horn (PHL) sounder.

Manufactured in flame retardant polymer, the units are available in a choice of base colours and up to 5 different lens colours, making it suitable for a range of fire and security dual notification applications as well as DDA-compliant installations. All models use the push and twist bayonet fitting BansheeMT base.

- Available with either Xenon or LED Beacon with a red or white body
- LED Beacon version available with two different sounder horn options
- Choice of lens colours (CHX: 5 colours, CHL: 3 colours, PHL: 2 colours)
- Sounder has 32 user-selectable tones - industry standard compatible
- Very low current consumption
- EN 54-3 tested and compliant with the CPD
- VdS approved and LPCB approval pending
- Easy to install with side and rear cable entry
- Robust 'two in two out' 2.5 mm<sup>2</sup> terminals
- Choice of three volume levels
- Rated to IP66 or IP45
- Uses same bases as Banshee™ - simple push and twist bayonet mounting with locking screw
- Extensive family of accessories for a wide range of applications
- Recyclable



Choice of lens colour:



## Banshee Excel™ FlashDome LED Beacon

The Banshee Excel™ FlashDome features ultra-efficient LEDs and is ideal for use in fire alarm systems which need to be upgraded or designed for conformity to DDA requirements.

The FlashDome is 100% compatible with the rest of the Excel Sounder and Sounder Beacon range and utilises the same shallow and deep bases and broad range of accessories.



- Ultra-efficient LEDs
- Very low current consumption
- Sleek, low-profile design
- Compatible with other Excel Sounders and Sounder Beacons and accessories
- Uses same bases as Banshee™ - simple push and twist bayonet mounting with locking screw

## Banshee Excel™ BD Bedroom Sounder

A low cost alternative for fire applications in hotels and residential environments.

- Low current - 7mA
- Available in white or red
- Fits standard 25 mm back box



# Specification

Model	Banshee Excel™ CH & PH	Banshee Excel Lite™ CHX, CHL & PHL	Banshee Excel™ BS	Banshee Excel™ FlashDome	Banshee Excel™ BD
Description:	Sounder	Sounder Beacon	Base Sounder	Beacon	Bedroom Sounder
Operating Voltage (Vdc):	9-30	9-30	9-30	10-28	24
Operating Voltage EN54-3 (Vdc):	24 (20 -28)	24 (20 -28)	24 (20 -28)	-	-
Tone Current Consumption (mA):	See Sound Output Table*	See Sound Output Table*	See Sound Output Table*	-	7 (Typical)
Flash Current Consumption (mA): <sup>#</sup>					
- @24 Vdc	-	40 (CHX), 16 (CHL & PHL)	-	5	-
- @12 Vdc	-	90 (CHX), 12 (CHL & PHL)	-	5	-
Sound Output (dBA Typ @ 1m):	See Sound Output Table*	See Sound Output Table*	See Sound Output Table*	-	90
Tones Available:	See Sound Output Table*	See Sound Output Table*	See Sound Output Table*	-	Fast Sweep: 750-850 Hz swept at 9 Hz Continuous: 815 Hz
Body Colours:	Red, White or Grey	Red or White	White or Ivory	Red	Red or White
Body Material:	Flame Retardant ABS	Flame Retardant ABS	Flame Retardant ABS	Flame Retardant ABS	Flame Retardant ABS
Lens Colour (Polycarbonate):	-	CHX: Red, Clear, Amber, Blue, Green CHL: Red, Clear, Amber PHL: Red, Amber	-	Red	-
Temperature Range (Deg C):	-40 to +70	-20 to +55 (CHX & CHL) -20 to +70 (PHL)	-40 to +70	-20 to +70	TBC
Environment Category / IP Rating:	Type A/IP45 Std Base Type B/IP66 Deep Base	Type A/IP45 Std Base Type B/IP66 Deep Base	Internal use only	Type A/IP45 Std Base Type B/IP66 Deep Base	Internal use only
Volume Control:	High, Medium (-10 dBA), Low (-20 dBA)	High, Medium (-10 dBA), Low (-20 dBA)	High, Medium (-6 dBA), Low (-12 dBA)	-	-
Light Output Rating (Cd):	-	TBC	-	1	-
Flash Rate (Per Second):	-	1	1	1	-
Termination:	Screw terminals for 0.28 mm <sup>2</sup> to 2.5 mm <sup>2</sup> wire conductor				

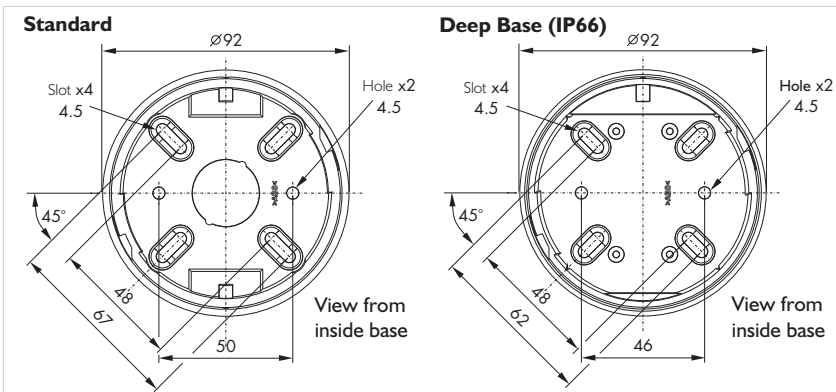
\* See Sound Output Table on back page of this document

<sup>#</sup>Flash current consumption is additional to sounder current, where applicable (CHX, CHL, PHL)

All units that use the common base meet minimum requirements of IP21C Shallow Base and IP33C Deep Base in accordance with EN54-3

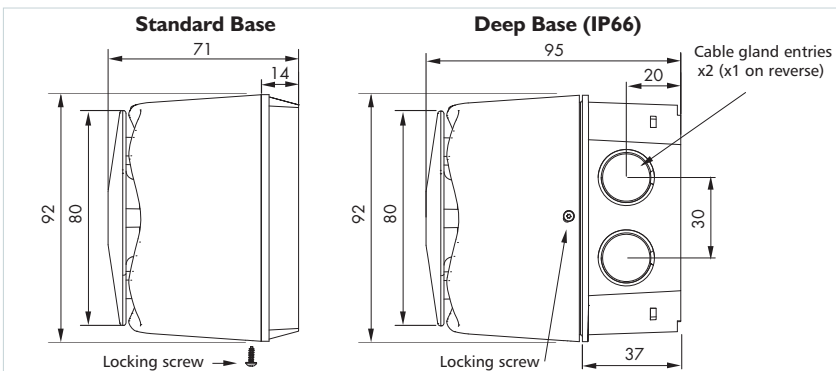
## Installation

### Banshee Excel™ Common Base

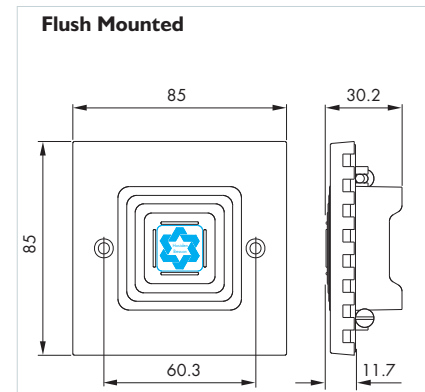


Used with Banshee Excel™ CH & PH, Banshee Excel Lite™ CHX, CHL & PHL and Banshee Excel™ FlashDome

### Banshee Excel™ CH & PH Sounder

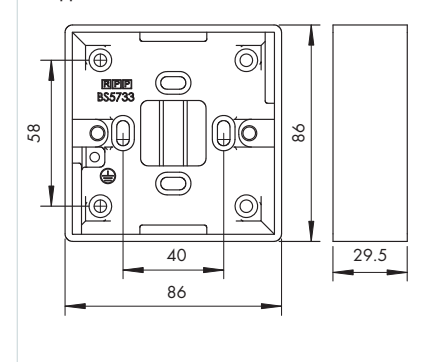


### Banshee Excel™ BD Bedroom Sounder



#### Back Box

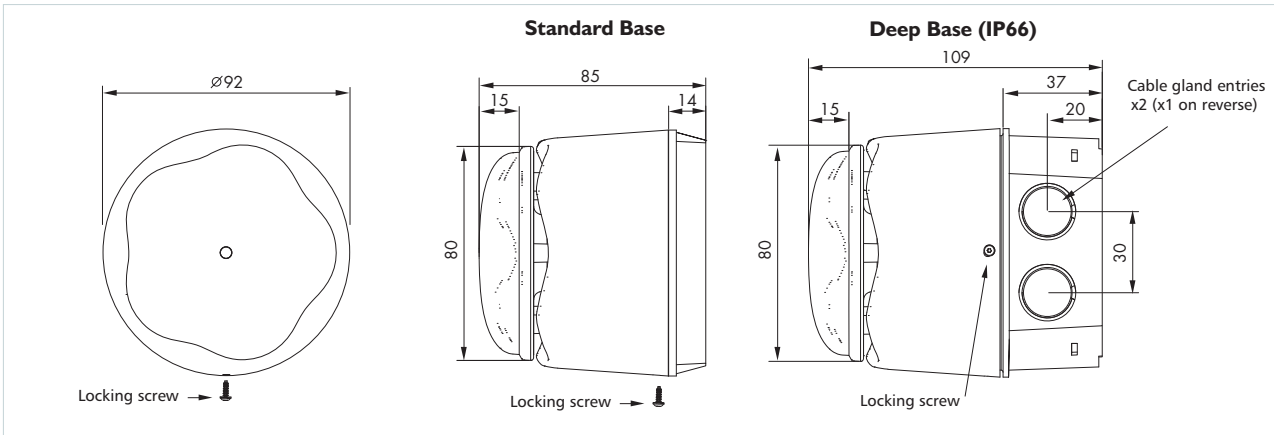
Supplied with Surface Mount Version



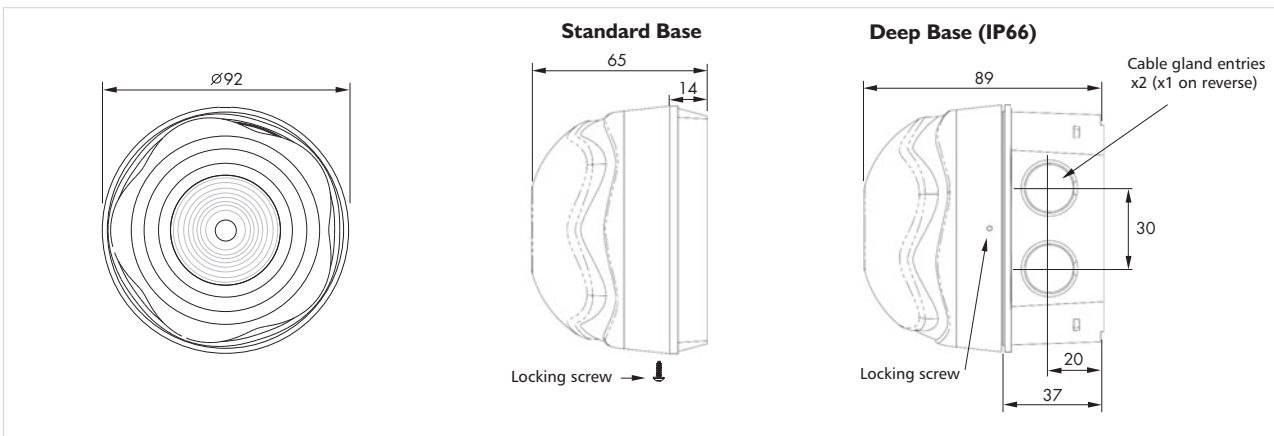
Dimensions (mm)

# Installation

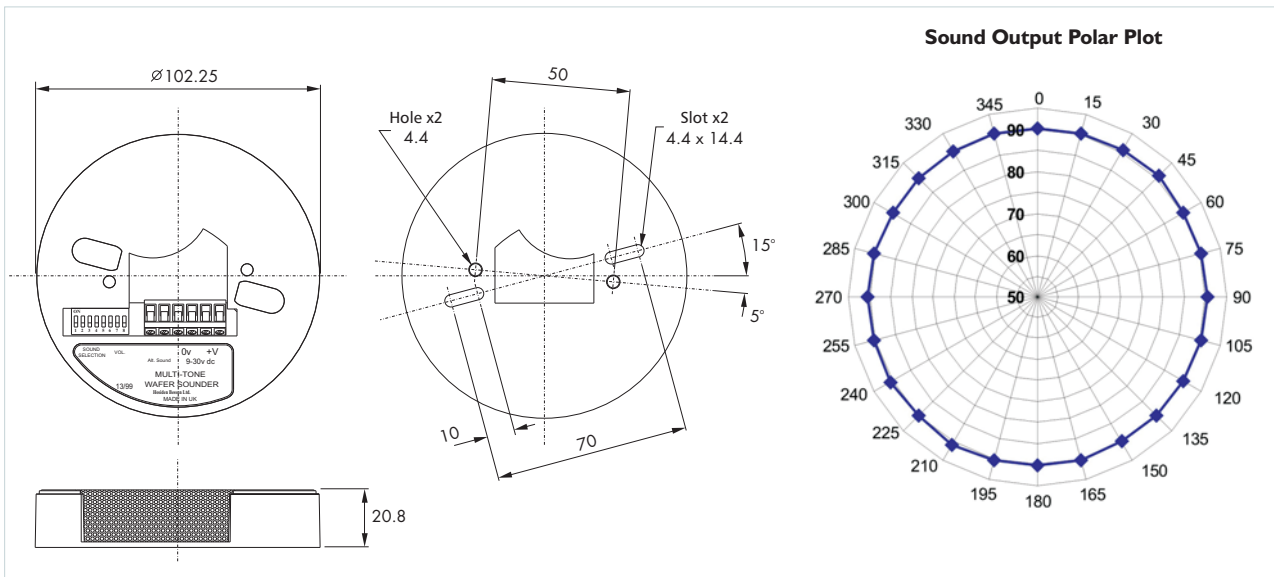
## Banshee Excel Lite™ CHX, CHL & PHL Sounder Beacon



## Banshee Excel™ FlashDome Beacon











## Banshee Excel™ BS Base Sounder



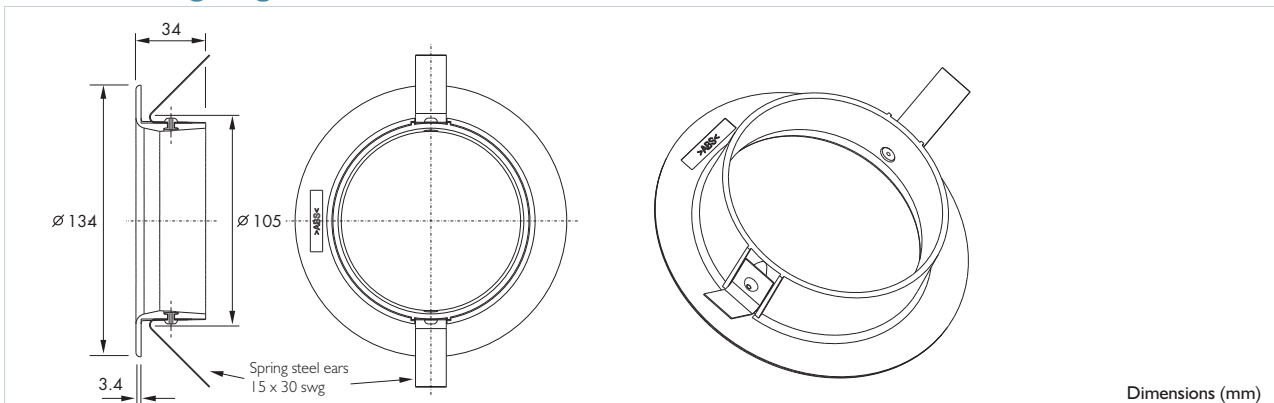
Dimensions (mm)

# Accessories

Accessory	Description	Part No.	Use with Banshee Excel™:							
			CH	PH	BS	BD	Lite CHX	Lite CHL	Lite PHL	FlashDome
	Flush Mounting Ring	8502900	■	■	□	□	■	■	■	■
	Combination Bracket	8503000	■	■	□	□	■	■	■	■
	Mains Pack 110/230 Vac to 24 Vdc	8502700	■	■	□	□	■	■	■	■
	Wall Fixing Clip	8503100	■	■	□	□	■	■	■	■
	Base Sounder Cable Spacing Ring	8502800	□	□	■	□	□	□	□	□
	Steel Web Stopper: Low Profile Cage (Supplied with full fixing kit)	S-9617	■	■	□	□	■	■	■	■
	Steel Web Stopper: Base Sounder - Surface Wiring Cage (Supplied with full fixing kit)	S-9605	■	■	■	■	■	■	■	■
	Steel Web Stopper: Base Sounder - Flush Wiring Cage (Supplied with full fixing kit)	S-9604	■	■	■	■	■	■	■	■

## Accessories Installation

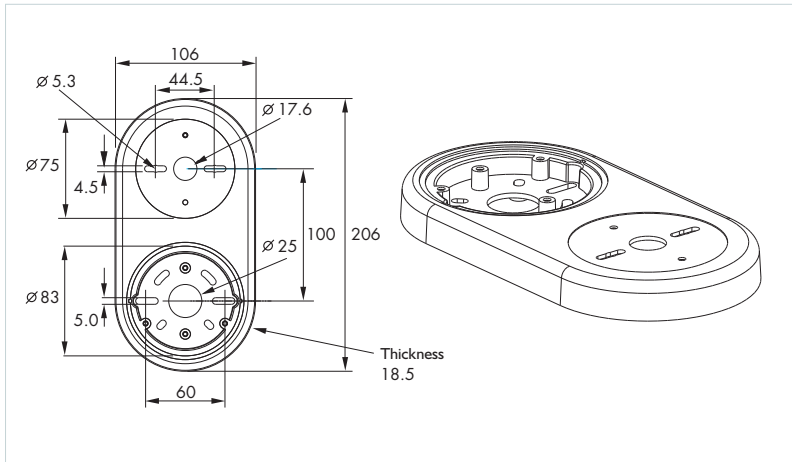
### Flush Mounting Ring



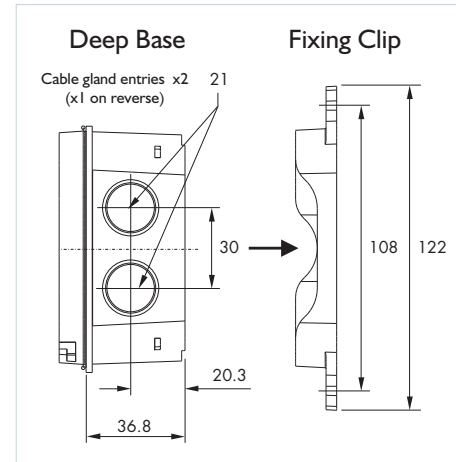


# Accessories Installation

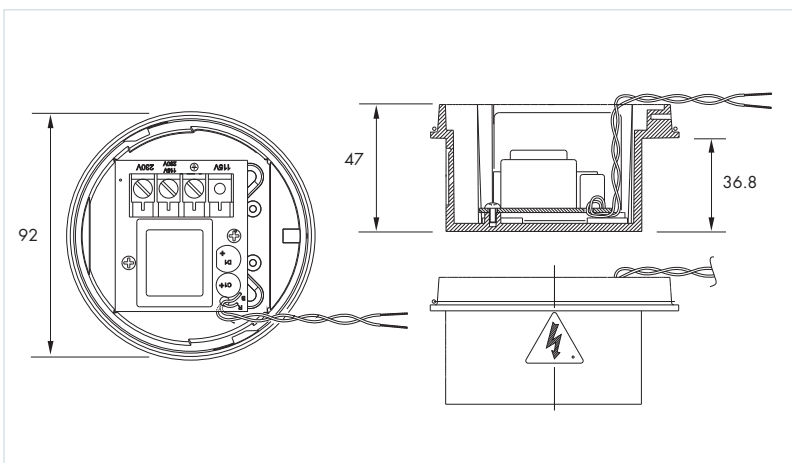
## Combination Bracket



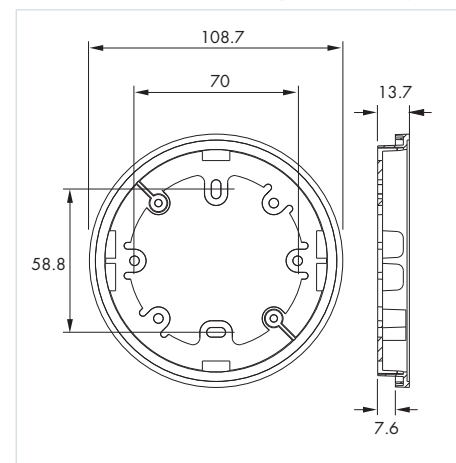
## Wall Fixing Clip & Deep Base



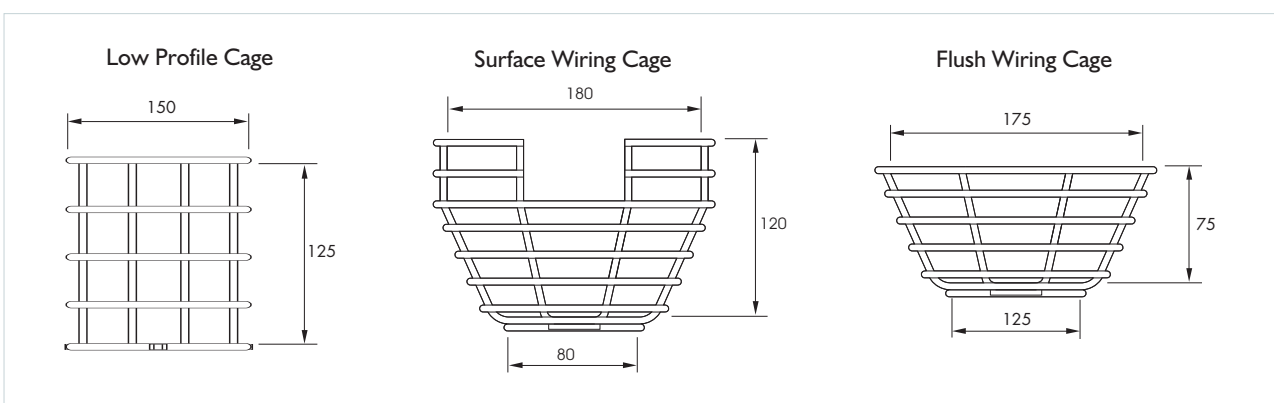
## Mains Pack



## Base Sounder Cable Spacing Ring



## Steel Web Stoppers



Dimensions (mm)

