

Accessories

MAINS POWERED 230V~ Remote Siren

Model YO3

- Remote Siren only – no smoke detection
- No battery back up
- Internal or external use
- Interconnectable to other Ei mains powered alarms
- 5 year guarantee
- Switchable frequency range (500Hz to 2900Hz)



Product Description

The YO3 is a remote siren that runs on 230V AC mains power (without any battery back up for periods of mains failure).

The YO3 has a fully weatherproofed enclosure allowing the unit to be sited internally or externally.

The YO3 has the ability to be interconnected to up to twelve alarms to allow all alarms including the YO3 remote siren to sound if just one of the interconnected alarms should be triggered.

The YO3 has a switchable frequency range of 500Hz to 2900Hz, and requires the Ei128R relay base to activate the unit.

Operation

- The YO3 will sound the siren when the unit is activated from the interconnected smoke detectors via an Ei128R relay base
- The YO3 will silence when the Ei128R relay base is deactivated by the interconnected smoke alarms
- When interconnected to other Ei mains powered alarms, an alarm on one detector will trigger all other interconnected alarms within one second including the YO3
- The output frequency of the YO3 can be preset with slide switches inside the unit



Shannon Free Zone, Shannon, Co. Clare, Ireland.
Ph.+353 61 471277 Fx.+353 61 471053
Email. eielectronics@eiltid.ie
Web: www.eielectronics.com

Model YO3

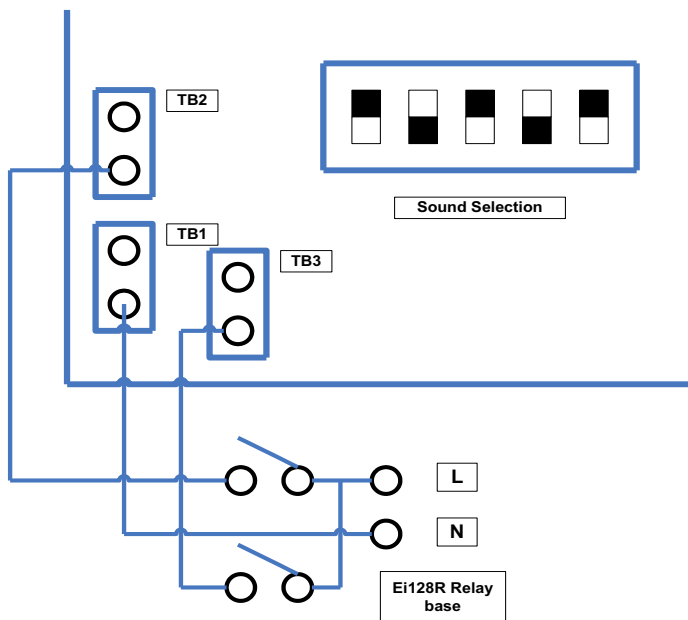
Technical Specification

Sensor	No sensor fitted (siren only)	Interconnect:	Up to 12 interconnected Ei140/141/144/145/146/150/151/153/154/155/156/161/164/166 smoke or heat alarms, via an Ei128R relay base
Supply Voltage:	230V AC	Fixing:	No fixings supplied
Battery back up:	No battery back up	Plastic material:	UL94VO flame retardant
Alarm:	Electronic Piezoelectric horn in unit	Dimensions:	118mm x 90mm x 90mm
Alarm Sound Output:	85dB (minimum) at 3m	Weight:	335g
Temperature Range:	0 to 40°C	Warranty:	5 year (limited) warranty
Humidity Range:	0% to 90% Relative Humidity		

Specifications are subject to change

Installation & Placement

Wiring for YO3 and Ei128R



Important Precaution:

Do not install the actual smoke/heat alarm itself in new or renovated buildings until all work is completed (including floor coverings) and the building has been fully cleaned. The wiring can be installed when appropriate. (Excessive dust and debris from building work can contaminate the smoke chamber and cause problems, and it will also invalidate the guarantee). If it must be installed, cover it completely, particularly around the edges, with a dust cover (eg. a plastic bag), until all cleaning is finished.. Connect wires to the unit as in wiring diagram. All wiring must comply with local codes.



Shannon Free Zone, Shannon, Co. Clare, Ireland.
Ph.+353 61 471277 Fx.+353 61 471053
Email. eielectronics@eild.ie
Web: www.eielectronics.com