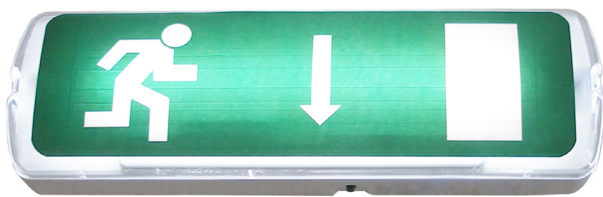


COMPACT LED BULKHEAD

www.ringtail.co.uk - +44 (0) 1772 336335 - sales@ringtail.co.uk

Ringtail
Lighting



The X-GSA is a compact energy efficient LED emergency luminaire.

- Manufactured in a moulded polycarbonate base.
- Fitted with a fresnel diffuser.
- Low profile emergency luminaire suitable for internal environments.
- Cable knockouts provided in the base.
- Complying with the requirements of EN60598-2-22
- Suitable for incorporation into an emergency lighting system complying with BS5266-1:2011.
- Can be equipped with universal legend kit making it suitable for use as an exit sign.
- Duo fitting - Can be used in either maintained and non-maintained operation.

Specification

- IP20
- Polycarbonate
- Fresnel Diffuser
- 0°C to 40°C operating temperature
- Test switch
- 12 LED's

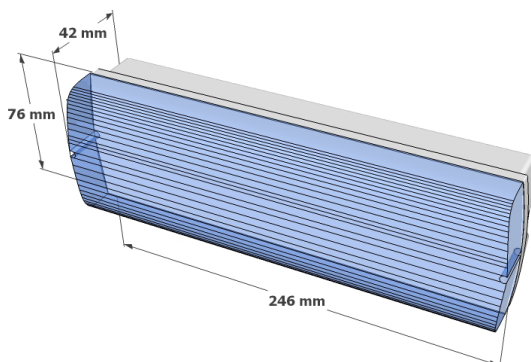


Options

Options

ULK/GS	Universal legend kit
BEZ/GS	Semi-recessing kit

Dimensions



Suitable Applications

- Suitable for use on escape routes.
- Suitable for incorporation into an emergency lighting system complying with BS5266-1:2011.

Technical Specification

	Lamp Type	Power Con	Battery	Duration	Weight	Emerg Output
X-GSA	12 White LED's	3.5W	3.6V 1Ah Ni-Cd	3 Hours	0.38Kg	85 Lumens

Installation Notes

- Surface mounted as standard.
- Semi recessing kit available.

Materials / Finish

- Manufactured in a moulded polycarbonate base.
- Fitted with a fresnel diffuser.

Catalogue Numbers

X-GSA	12 White LED's
-------	----------------