

SIZE 3 FIXED POWER CLOSER WITH TRACK ARM



WARNING
DOOR CLOSER POWER #1 & 2 AND THOSE SUPPLIED WITH MECHANICAL HOLD OPEN DEVICES MUST NOT BE INSTALLED ON FIRE / SMOKE DOORS.

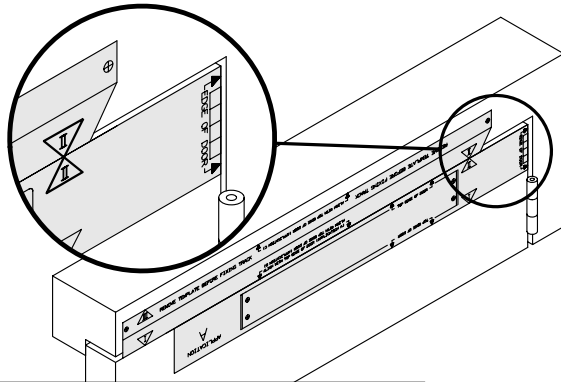
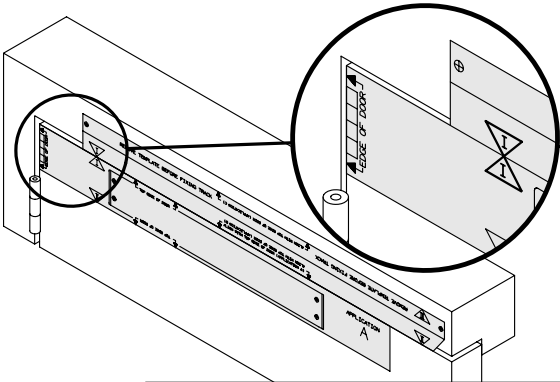
23/633/00
ISSUE 01

PULL SIDE - REGULAR APPLICATION (FIG. 1)

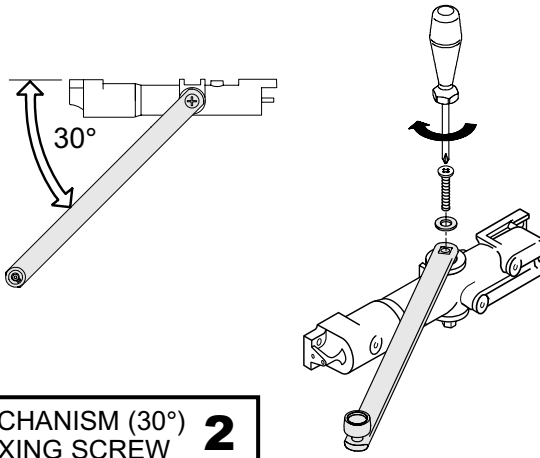
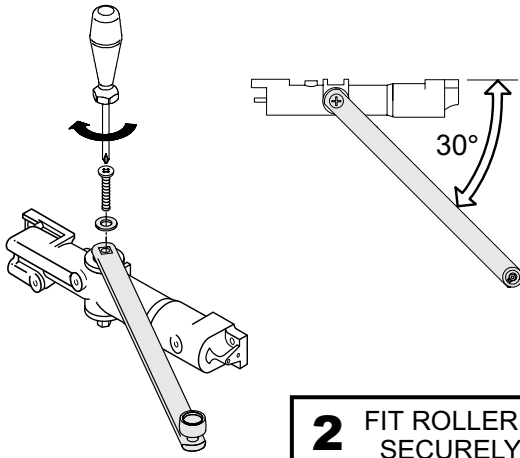
ANGLE OF OPENING 180° SUBJECT TO HINGE & SURROUNDING STRUCTURE

R.H. DOOR

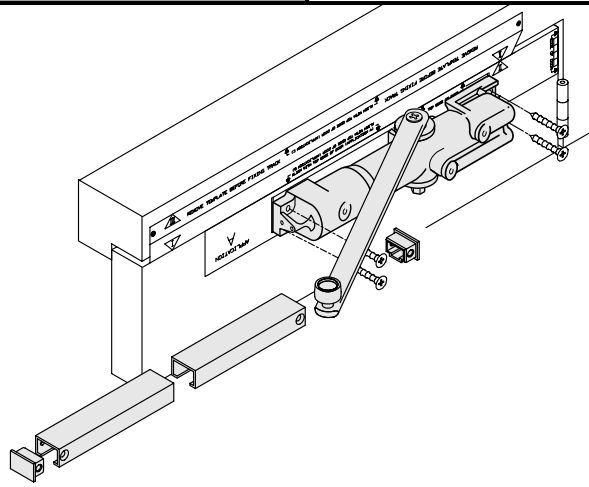
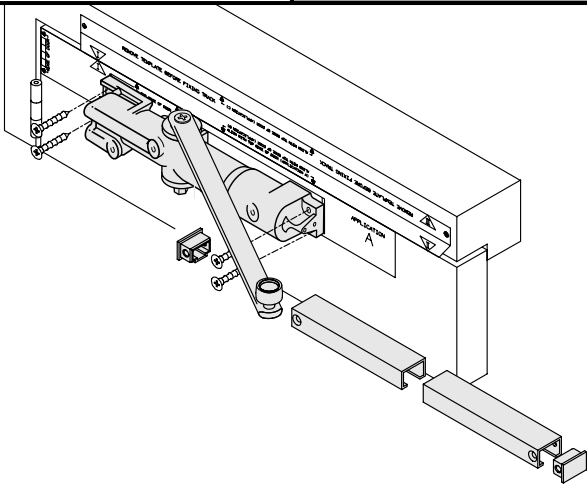
L.H. DOOR



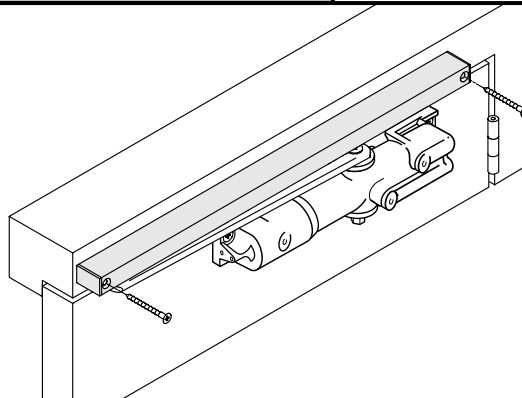
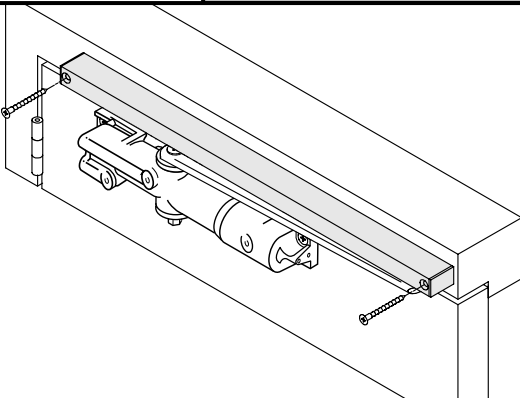
1 PEEL TEMPLATES OFF BACKING PAPER
POSITION ON DOOR/FRAME ENSURE ARROWS ARE ALIGNED
PILOT DRILL 6 HOLES **1**



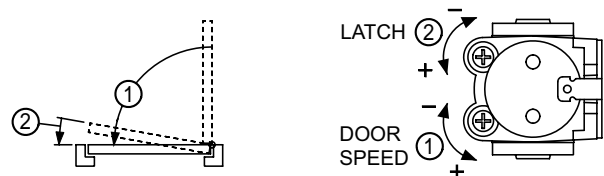
2 FIT ROLLER ARM TO MECHANISM (30°)
SECURELY TIGHTEN FIXING SCREW **2**



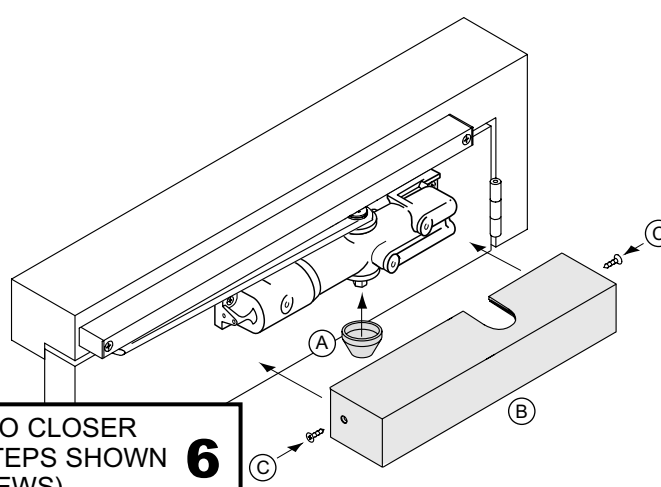
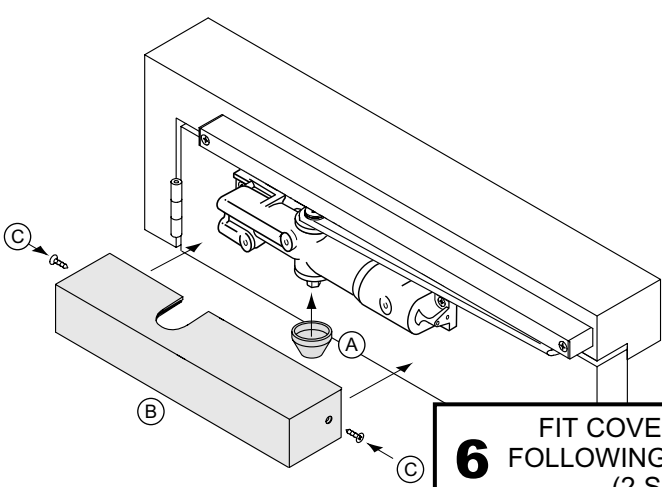
3 FIT MECHANISM ASSEMBLY TO DOOR (4 SCREWS)
PEEL OFF TEMPLATES
FEED TRACK OVER ROLLER AND INSERT END CAPS **3**



4 PUSH TRACK AND ARM TOWARDS FRAME AND
SECURE IN POSITION (2 SCREWS) **4**



5 IF NECESSARY ADJUST DOOR SPEEDS **5**



6 FIT COVER TO CLOSER
FOLLOWING STEPS SHOWN **6**
(2 SCREWS)

CLOSER
POWER
DOOR
SIZE

#3
60kg
950
MAX

FOR TRANSON AND PARALLEL ARM INSTALLATION PROCEDURE SEE OVERLEAF

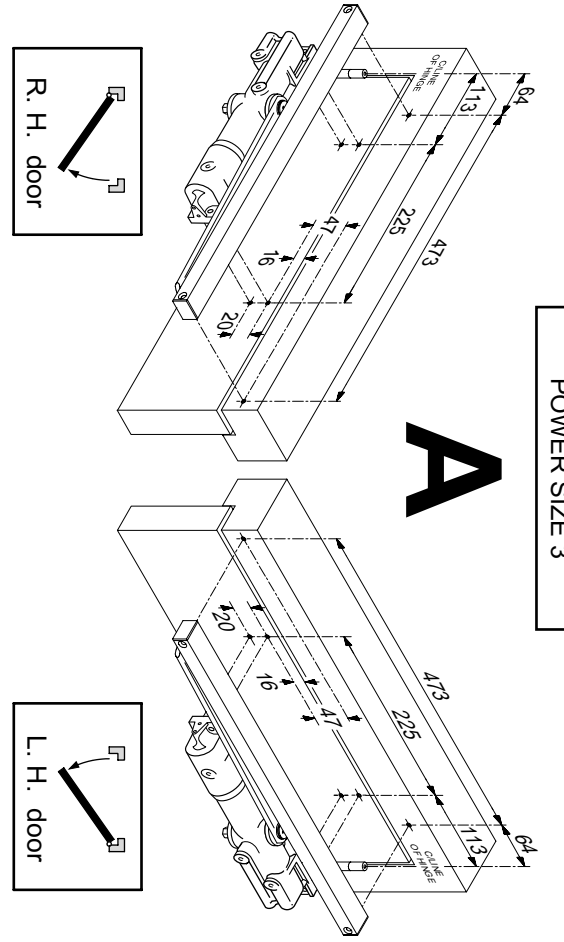
MAINTENANCE (Quarterly) Check that the door closer closes the door correctly and fixing screws are tight. Periodically apply light oil to arm knuckle joints and door hinges.

NOTE - all dimensions are in millimetres

IR Security & Safety
© IR Security & Safety Ltd. 3.03

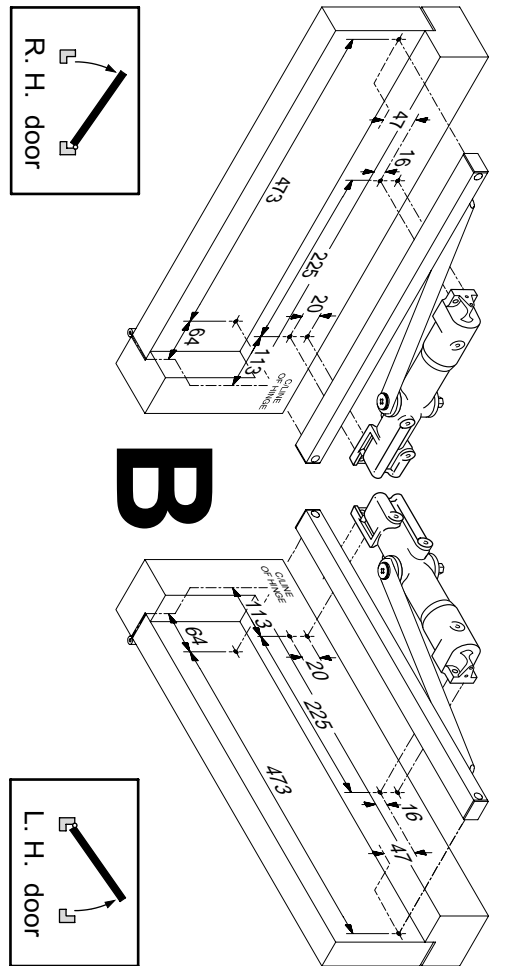
APPLICATION A - DOOR FIXING - PULL SIDE

POWER SIZE 3



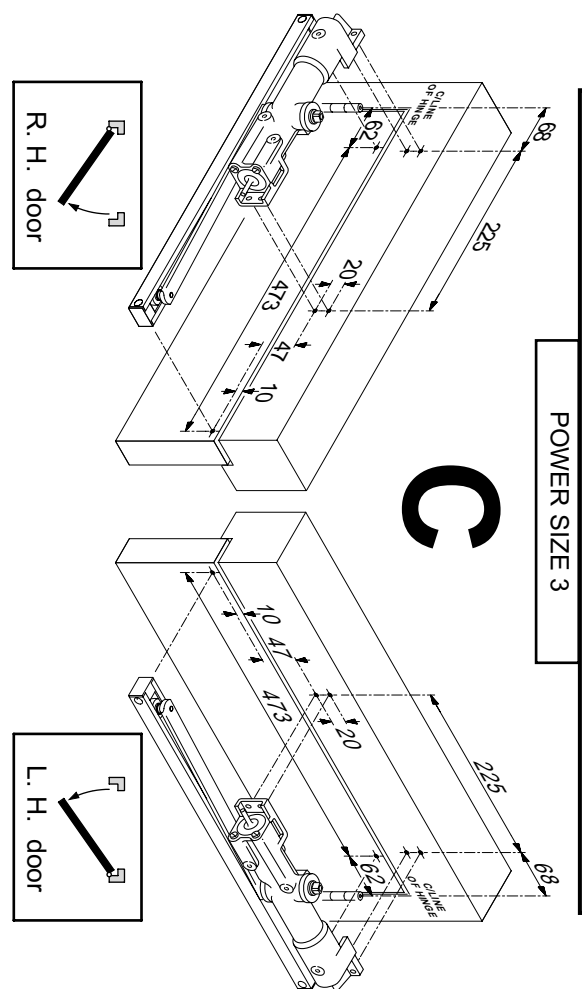
APPLICATION B - TRANSON FIXING - PUSH SIDE

POWER SIZE 3



APPLICATION C - TRANSON FIXING - PULL SIDE

POWER SIZE 3

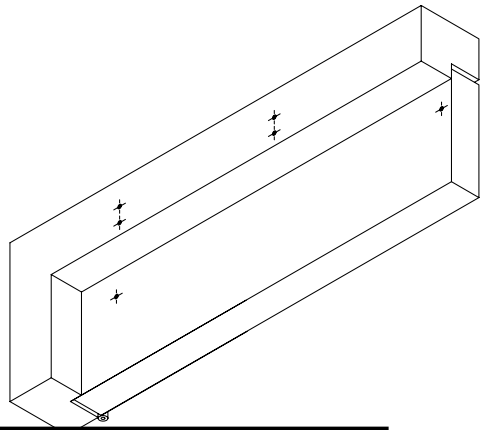
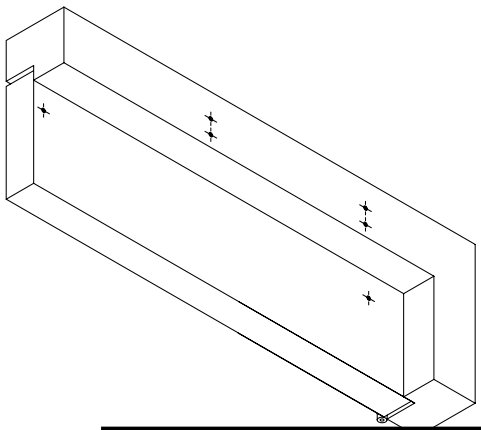


APPLICATION B

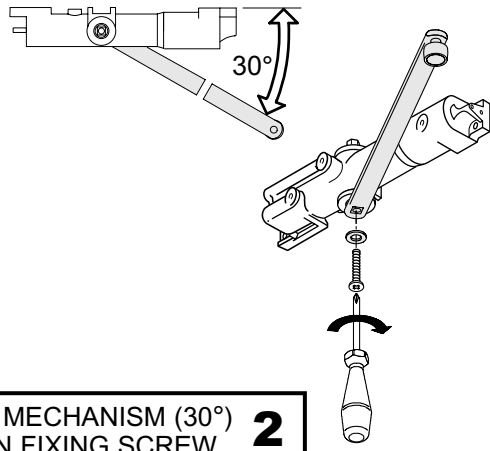
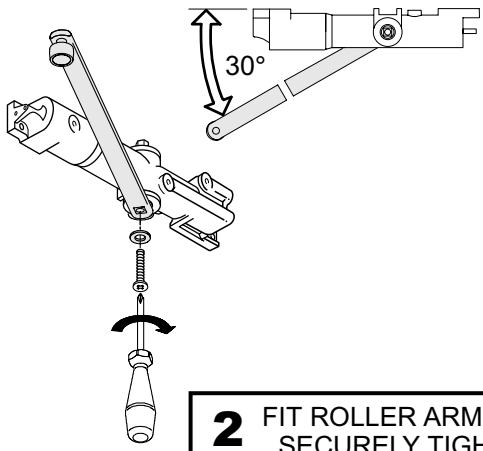
ANGLE OF OPENING 110° SUBJECT TO HINGE & SURROUNDING STRUCTURE

R.H. DOOR

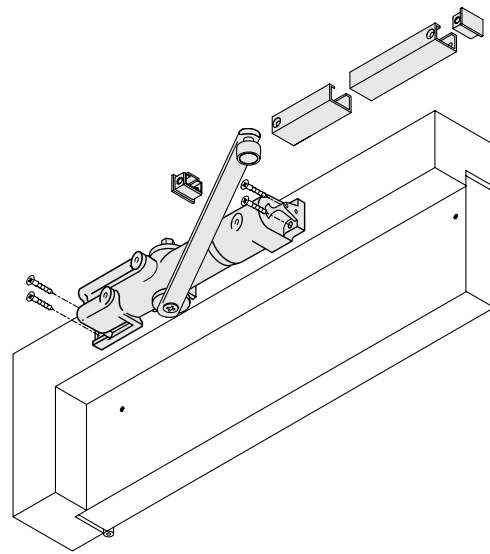
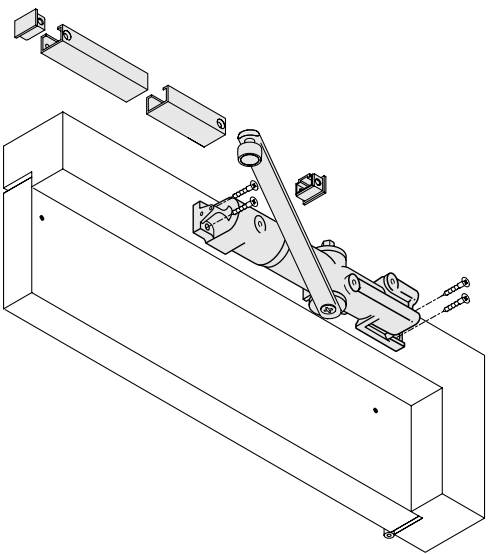
L.H. DOOR



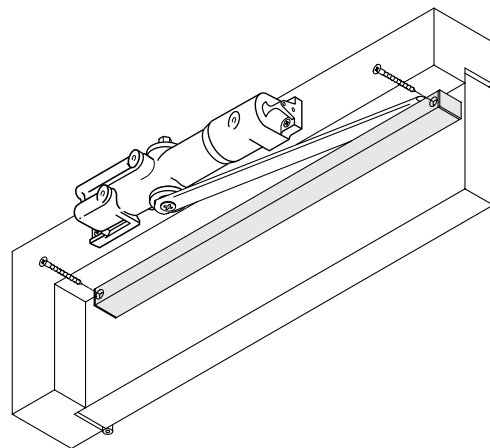
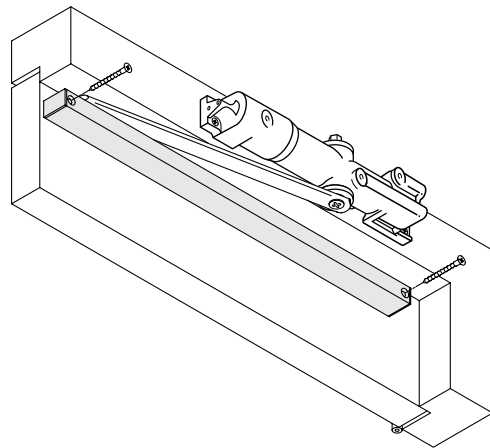
1 MARK OUT DOOR FRAME AS DETAILED OVERLEAF **1**
PILOT DRILL 6 HOLES



2 FIT ROLLER ARM TO MECHANISM (30°)
SECURELY TIGHTEN FIXING SCREW **2**



3 FIT MECHANISM ASSEMBLY TO DOOR (4 SCREWS)
FEED TRACK OVER ROLLER AND INSERT END CAPS **3**



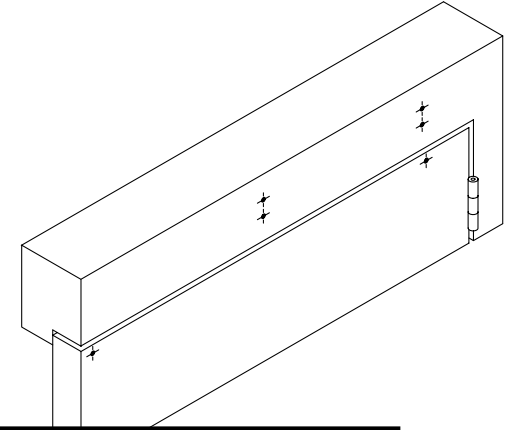
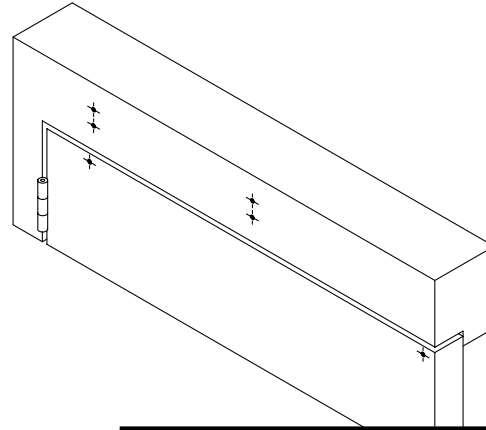
4 PUSH TRACK AND ARM TOWARDS DOOR AND
SECURE IN POSITION (2 SCREWS) **4**

APPLICATION C

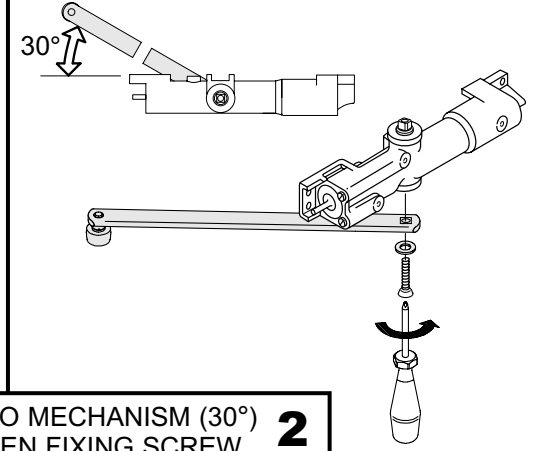
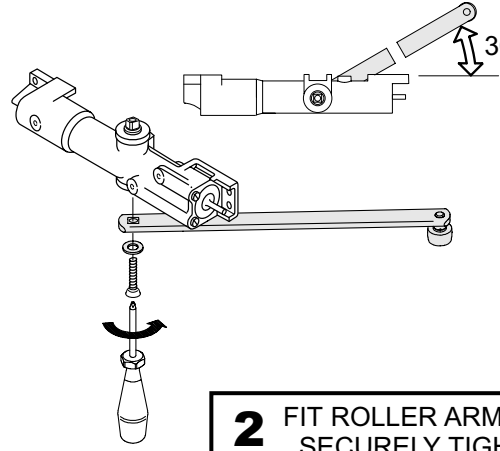
ANGLE OF OPENING 180° SUBJECT TO HINGE & SURROUNDING STRUCTURE

R.H. DOOR

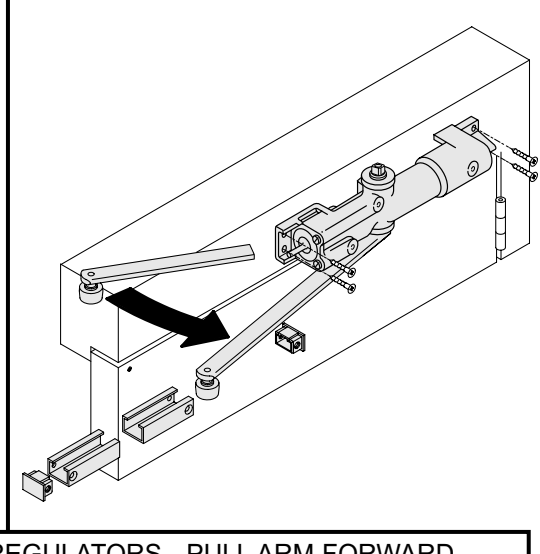
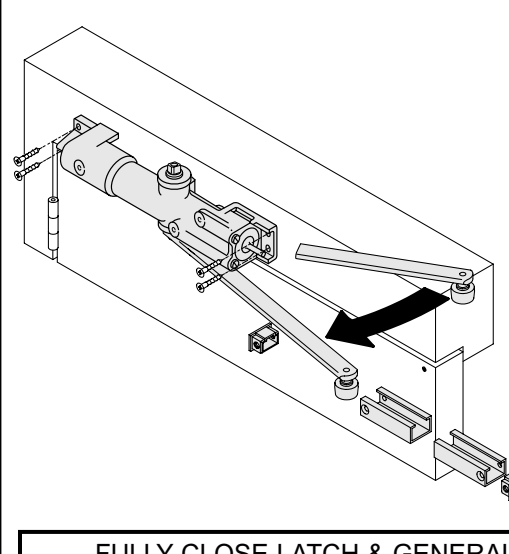
L.H. DOOR



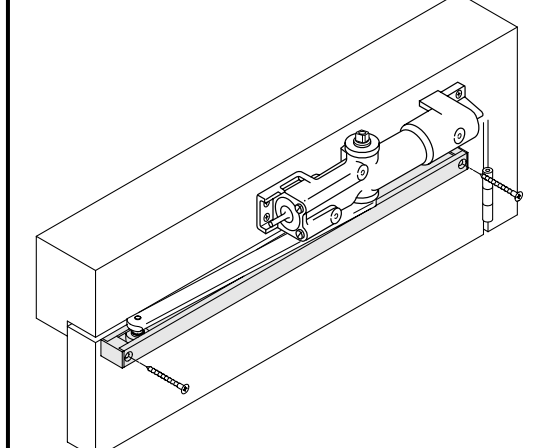
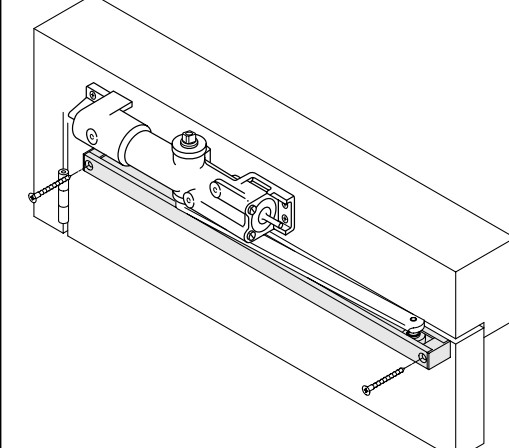
1 MARK OUT DOOR FRAME AS DETAILED OVERLEAF **1**
PILOT DRILL 6 HOLES



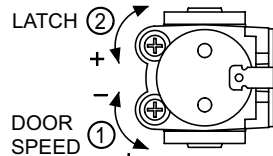
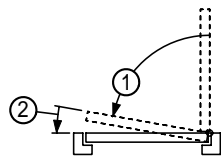
2 FIT ROLLER ARM TO MECHANISM (30°)
SECURELY TIGHTEN FIXING SCREW **2**



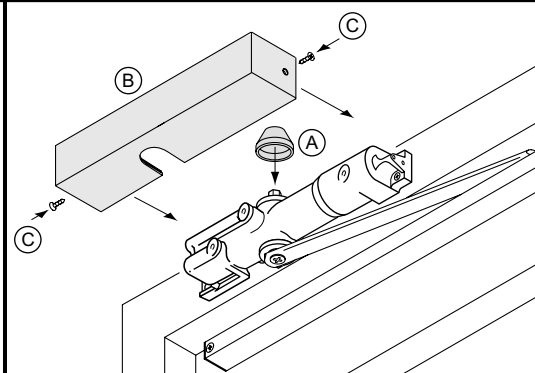
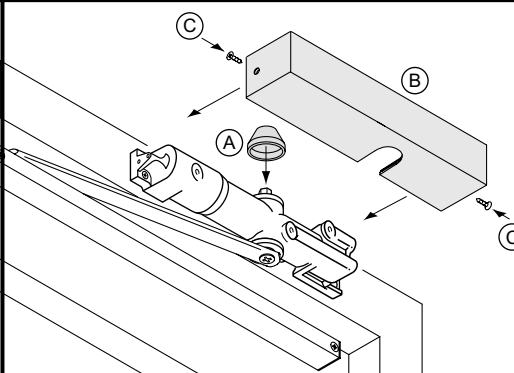
3 FULLY CLOSE LATCH & GENERAL REGULATORS - PULL ARM FORWARD
FIT MECHANISM ASSEMBLY TO DOOR (4 SCREWS)
FEED TRACK OVER ROLLER AND INSERT END CAPS **3**



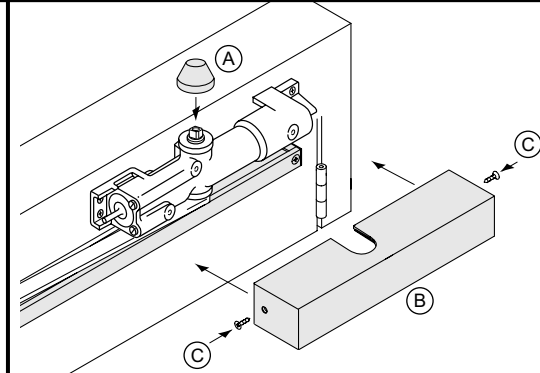
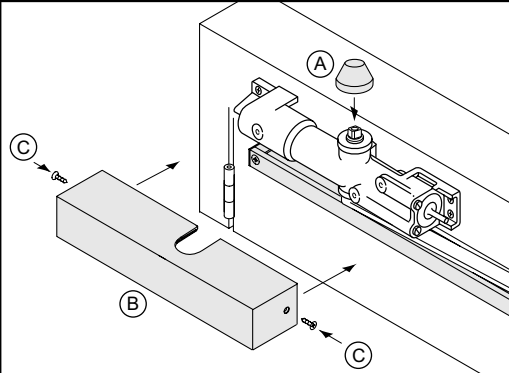
4 PUSH TRACK AND ARM TOWARDS DOOR AND
SECURE IN POSITION (2 SCREWS) **4**



5 IF NECESSARY ADJUST DOOR SPEEDS **5**



6 FIT COVER TO CLOSER FOLLOWING STEPS SHOWN (2 SCREWS) **6**



6 FIT COVER TO CLOSER FOLLOWING STEPS SHOWN (2 SCREWS) **6**