

## Fire Resistant Batt & Coating.

Trade Name: ASTROBATT, ASTROCOAT

### FEATURES

**Fire Rated Batt / Board - BS476: Part 20: 1987**

**Up to 4 hours fire resistance**

**Economical**

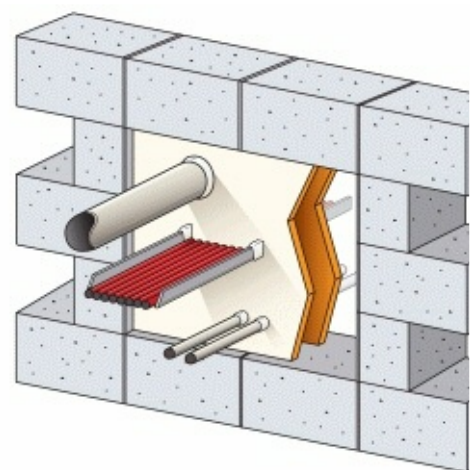
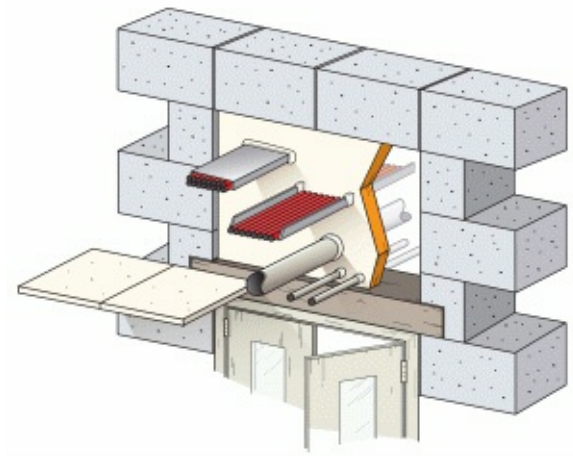
**Halogen free**

**Reduced smoke properties**

**Chemical resistant**

**Weather resistant**

**Certifire Approval**



### Description

Specifically designed for sealing around service penetrations in walls and floors, a single Astroflame board (50mm or 60m thick) can provide high levels of fire integrity and insulation offering up to 4 hours resistance in accordance with BS4746: F 1987.

Astroflame Boards consist of a mineral fibre core coated on both sides with Astroflame Mastic, which transforms into a hard ceramic during a fire to prevent the passage of fire and smoke and the transfer of heat.

**ASTROCOAT Spread Grade Mastic should be used in conjunction with ASTROBATT on cut edges or joints** (see below for details).

### Availability

BATT : 600mm x 1200mm x 50mm: 140kgm<sup>3</sup> density.  
BATT : 600mm x 1200mm x 60mm: 160kgm<sup>3</sup> density.

ASTROCOAT: 5 Kilo pail

### To Order & Specify

#### BATT

Please quote Quantity / Trade name / Product ref / Description  
Typical wording

20/ ASTROBATT / AFB1200DC / **1200x600x60**  
20/ ASTROBATT / AFB1200DC50 / **1200x600x50**

#### ASTROCOAT - SPREAD GRADE MASTIC

Please quote Quantity / Trade name / Product ref /  
Typical wording

5 / ASTROCOAT / AFBCOAT5L

### Fire Test Or Assessment Reports

BS476 Part 20: 1987

### Health And Safety

We recommend that dust masks, gloves and eye protection be worn when cutting the boards as the dust produced is an irritant. Do not ingest Fire Coating - Avoid contact with eyes. Keep out of reach of children. Does not emit halogen or other toxic gases when exposed to flame. Normal good industrial and personal hygiene practices should be observed.

### Related Documents

As part of our policy of ongoing improvements, we reserve the right to modify, alter or change product specifications without giving notice. Product illustrations are representations only. All information contained in this document is provided for guidance only, and as ASTROFLAME FIRESEALS LTD has no control over the installation methods of the products, or of the prevailing site conditions, no warranties expressed or implied are intended to be given as to the performance of the products mentioned or referred to, and no liability whatsoever will be accepted for any loss, damage or injury arising from the use of information given of products mentioned or referred to herein.

The above information to the best of our knowledge is true and accurate and based upon current test data and is supplied for your guidance only. Customers should satisfy themselves as to the suitability of the product in its intended use and no guarantee is given or implied since the conditions of actual use are beyond our control. ASTROFLAME (Fireseals) Ltd, disclaim any liability for loss, damage or other expense arising from the use of information, data or products mentioned or referred to and reserve the right to change any details or specifications without notice.



Astroflame (Fire Seals) Ltd. Intumescent House  
Unit 8, The IO Centre, Stephenson Road, Segensworth  
FAREHAM, ENGLAND PO15 5RU

tel 0800 023 2482  
(01329 844500)

fax 0800 023 2483  
(01329 844600)

intl  
tel +44 1329 844500

fax +44 1329 844600

email