

HIGH OUTPUT TWINSPOT

www.ringtail.co.uk - +44 (0) 1772 336335 - sales@ringtail.co.uk

Ringtail
Lighting

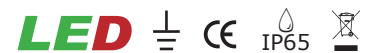


The X-TSWS range is an architectural twin spot unit suitable for exterior applications and open areas. Utilising LED technology the twin spot provides high efficiency high beam output for an ultra long duration.

- Manufactured in a white robust finished steel enclosure.
- Twin high output tungsten halogen lamps.
- Designed in accordance with the requirements of EN60598-2-22.
- Suitable for incorporation into an emergency lighting system complying with BS5266-1:2011.
- IP65 ingress protection.
- Supplied with hex key screws - can be mounted in many orientations due to the battery clamps.
- Optional "delay on feature" - adjustable timer function, upon the restoration of power after a mains failure the heads will remain illuminated for a pre set period.
- Available in white, black or a number of alternative finishes including British Standard and RAL colour.

Specification

- IP65 as Standard
- Adjustable Heads
- 2 x 12W LED Light Source
- 3 Hour Standby Operation
- Hex key securing screws

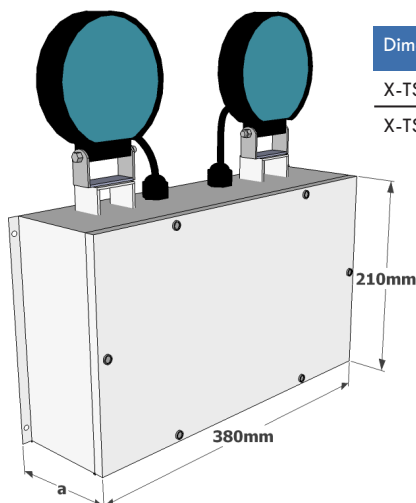


Options

Options

/R	Remote heads
/T	Delay on timer
/M	Maintained
/RAL	RAL Colour finish
/110	110V Isolation Transformer

Dimensions



Dimensions (mm)

X-TSWS3NM	a=100
X-TSWS6NM	a=135

Suitable Applications

- Designed for use in multiple industrial and architectural applications.
- Sealed up to IP65 suitable for interior and exterior applications.
- Suitable for incorporation into an emergency lighting system complying with BS5266-1:2011.

Technical Specification

	Model	Lamp Type	Power Con	Battery	Duration	Weight	Output	
	X-TSWS3NM	Non-Maintained	2 x 12W LED Lamps	24 W	12V 14Ah	3 Hours	9.9 Kg	1456 Lumens
	X-TSWS6NM	Non-Maintained	2 x 12W LED Lamps	24 W	12V 24Ah	6 Hours	12.9 Kg	1456 Lumens

Installation Notes

- Mounting - Please ensure that suitable plugs and screws are used to fix unit.
- Comes with hex key securing screws and can be mounted in many orientations.

Materials / Finish

- White robust finished steel enclosure.
- Twin high output LED light source.
- Available in white, black or a number of alternative finishes including British Standard and RAL colour.

Catalogue Numbers

X-TSWS3NM	Non-Maintained
X-TSWS6NM	Non-Maintained