

RECESSED EXIT SIGN WITH DOWNLIGHT

www.ringtail.co.uk - +44 (0) 1772 336335 - sales@ringtail.co.uk

Ringtail
Lighting



The MPR Luminaire is a decorative, recessed, edge-illuminated escape route and direction sign for indoor use.

- White finished base bezel-fitted with a suspended clear legend panel.
- Designed in accordance with the requirements of EN60598-2-22.
- Suitable for incorporation into an emergency lighting system complying with BS5266-1:2011.
- Available in alternative finishes, including British Standard or RAL colour, brass, chrome and satin.
- Switchable, Maintained and Non Maintained versions available.

Specification

- IP20 (Interior Use)
- Recessed Sign
- Hinged Gear Tray
- Ceiling Mounting
- White Finish as Standard
- Brass and Chrome Finishes
- Cut out size 382mm x 122mm



Options

Options

/L Arrow Left

/R Arrow Right

/ST Self test

/TS Test switch

/DALI DALI

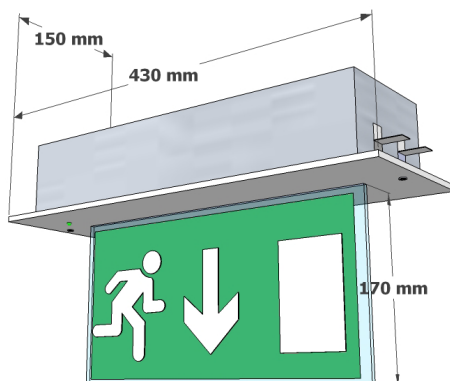
/BR Brass Finish

/CH Chrome finish

/SC Satin Chrome finish

Note: All exit signs are arrow down as standard please specify other direction if required

Dimensions



Viewing Distance

Viewing Distances

31 Metres

Suitable Applications

- Suitable for all escape routes and intersections.
- Suitable for incorporation into an emergency lighting system complying with BS5266-1:2011.
- Suitable for use in Hotels, Shopping Centres and Theatres.

Technical Specification

	Model	Lamp Type	Power Con	Battery	Duration	Weight
MPR8NM	Non Maintained	8W T5	8 VA	2.4V 4Ah	3 Hours	2.56 Kg
MPR8NM/DALI	Non Maintained	8W T5	-	2.4V 4Ah	3 Hours	2.45 Kg
MPR8M	Maintained	8W T5	20 VA	2.4V 4Ah	3 Hours	2.73 Kg
MPR8M/DALI	Maintained	8W T5	-	2.4V 4Ah	3 Hours	2.6 Kg
MPR8/SL	ACDC Slave. * suffix voltage required with 24, 50, 110					
MPR8/230/HF	Mains only / Static inverter					

Installation Notes

- Recessed Ceiling Mount.
- Ceiling Cut Out Size 385 x 122mm.

Materials / Finish

- White finished base with clear legend panel.
- Available in alternative finishes, including British Standard or RAL colour, brass, chrome and satin.

Catalogue Numbers

MPR8NM	Non Maintained
MPR8NM/DALI	Non Maintained (DALI)
MPR8M	Maintained
MPR8M/DALI	Maintained (DALI)
MPR8/SL	ACDC Slave. * suffix voltage required with 24, 50, 110
MPR8/230/HF	Mains only / Static inverter