

# 8 WATT CURVED LOW PROFILE BULKHEAD



The TPX Light is an attractive, low profile, versatile emergency luminaire for interior and sheltered exterior environments.

Comprising a moulded, polycarbonate base and fitted with a clear flame retardant diffuser, the TPX Light is designed for use on escape routes.

The diffuser is screw fixed to the base to provide a seal to IP55.

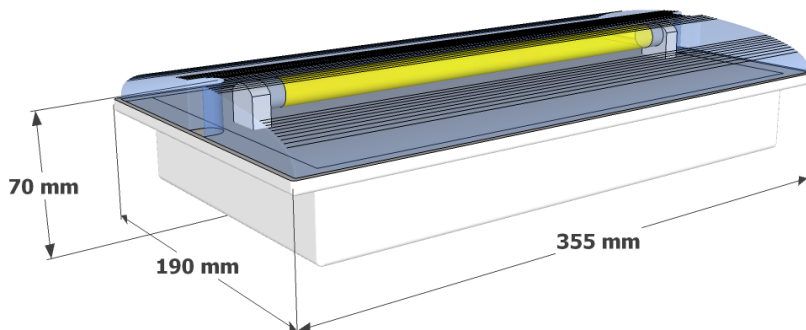
The gear tray is easily removable to allow first fix of the base. Cable knockouts are provided in the ends and a BESA entry in the base. The TPX Light complies with the requirements of EN60598-2-22 and is suitable for incorporation into an emergency lighting system complying with BS5266-1:2011. White with a clear fresnel diffuser as standard. Switchable, Maintained and Non-Maintained versions available.



	Lamp Type	Power Con	Battery	Duration	Weight	Emerg Output
TPX8M	8W T5	20 W	2.4V 4Ah	3 Hours	1.61Kg	100 Lumens
TPX8NM	8W T5	8 W	2.4V 4Ah	3 Hours	1.44Kg	100 Lumens
TPX/230/HF	Mains only / Static inverter					
TPX/SL/*	ACDC Slave. * suffix voltage required with 24, 50, 110,					
TPX8S	Sustained					

## Options

/BK	Black base
/TS	Test switch
/ST	Self Test
/HT	40° ambient
/DALI	DALI
/180	High Emergency output



- IP55 Sheltered Exterior Use
- Polycarbonate Base
- Clear Diffuser
- Removable Gear Tray
- Recessing Option
- Self-Contained

