



The invisible door closer



REGISTRATION No. FM09441

R2 Rectangular Plate

The Perko door closer provides automatic closure of light and medium weight internal doors weighing up to 112lbs (50kg) except those fitted with rising butt hinges, parliament or projecting hinges. Where limited air displacement exists we would recommend the addition of a "TRIP-CATCH" (as manufactured by Perkins & Powell) to reduce latch pressure. Fitting smoke seals can affect the closer's performance. Suitable for use on latched fire-resisting doors subject to approval by appropriate fire authority. (Fire door integrity test B.S.476 part 22 report available on request).

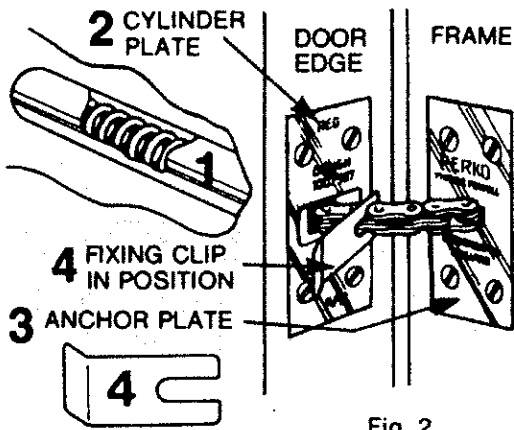


Fig. 2

FIXING INSTRUCTIONS

Select the best fitting position for your door. (See back page).

1 Cylinder. Mark inner door edge for drilling of 1" diameter hole. It is important that the hole should be not less than 5³/₄" deep.

2 Cylinder plate. Mark out and recess cylinder plate flush with door edge. Insert cylinder, ensuring that it is free, and fix plate with screws provided. Adjust spring tension if necessary. (See note A). Close door gently so that anchor plate marks out door jamb.

3 Anchor plate. Turn anchor plate 90 degrees to cylinder plate. By inserting a claw hammer hooked behind the anchor plate withdraw approximately 1¹/₂" chain and insert template (4).

4 Metal fixing plate. Insert metal fixing clip between chain links. Release anchor plate so that it is freely suspended. Recess anchor plate as for cylinder plate (2) and fix with screws provided. Remove clip.

Note A. Adjusting Procedure

1 Fit metal fixing plate (4) as near to cylinder plate (2) as possible.

2 Remove anchor plate (3).

3 Turn anchor plate *clockwise to increase tension; anti-clockwise to decrease tension.*

4 Re-fix anchor plate (3), remove template (4).

Note B. The distance between the centres of the two fixing plates must not exceed 1³/₄" when the door is opened to its maximum. Should this distance be exceeded e.g. through the use of wide-knuckled hinges, a door stop should be fitted at the appropriate point.

Note C. Silent Operation.

For silent operation on doors not incorporating a mortice catch we recommend fitting an adjustable nylon roller catch.

Samuel Heath & Sons PLC

Leopold Street, Birmingham B12 0UJ, England

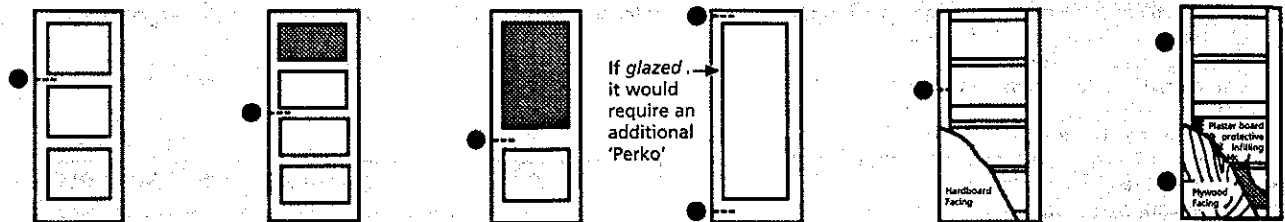
Telephone: 0121-772 2303. Fax: 0121-772 3334.

Sales Office Direct Line: 0121-766 4200.

e-mail: mail@samuel-heath.com

www.samuel-heath.com

Recommended fixing positions for various pattern doors



Typical doors and suggested fixing positions.

Perko is adjusted to suit all these doors before leaving the factory.

If subsequent adjustment is necessary see Note A in fixing instructions.

For very heavy doors it will be necessary to fit two 'Perko' door closers.