

Fireco

Compliance Made Easy

Dorgard™ Fire Door Retainer



Technical Information

Dorgard is a wireless fire door retainer which allows you to keep your fire doors open.

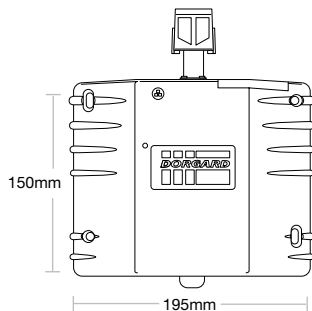
Dorgard enables the door to automatically close on the sound of the alarm. A closed fire door prevents the spread of fire.

EN1155 3 5 3 to 7 1 1 0

Specification Overview

| | |
|---------------------|---------------------------|
| Power Size | EN7 |
| Max Weight of Door | 160 Kg |
| Max Width of Door | 1600mm |
| Fire Rating | 60 Minutes |
| Hold open | Any Angle |
| Timed Daily Release | Yes (User settable) |
| Audible Warning | Yes |
| Power Supply | 2 x 1.5V C size batteries |
| Battery Life | 24 Months |
| Casing | ABS Plastic |
| Colours | Black, Red, White |
| Part Number | DG2000 |

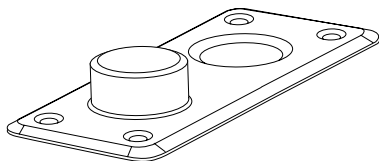
Product Dimensions



- Overall Height 205mm
- Casing Height 150mm
- Width 195mm
- Depth 45mm
- Weight : 700g

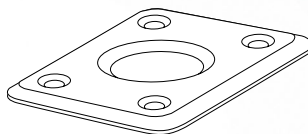
Additional Extras

- Floor plate bump stop
- Floor Plate flush
- Supplied with every Dorgard



Bump Stop Floor Plate

| | |
|------------------|--------|
| Weight | 62.2g |
| Length | 150mm |
| Width | 77.5mm |
| Bump Stop Height | 27mm |
| Height | 3.5mm |
| Part Number | DG2610 |



Flush Floor Plate

| | |
|-------------|-------------|
| Weight | 19.4g |
| Length | 77.5mm |
| Width | 63.5mm |
| Height | 3.5mm |
| Part Number | DG2610-flat |

Designed for use in areas with slippery floors.