

Compliance Made Easy

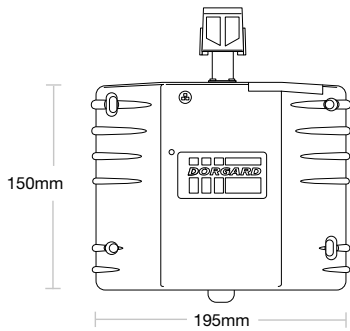
Dorgard™

Dorgard is a wireless fire door retainer which allows you to keep your fire doors open.

Dorgard enables the door to automatically close on the sound of the alarm. A closed fire door prevents the spread of fire.



Product Dimensions



Overall Height	205 mm
Casing Height	150 mm
Width	195 mm
Depth	45 mm
Weight	~700g

Specification Overview

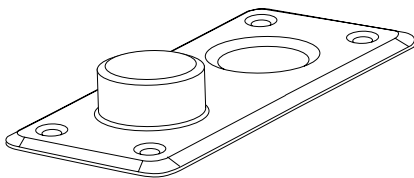
Power	2 x 1.5v C-size batteries
Warranty	2 years
Colour	Black, red and white
Activation	Acoustic / Sound of the fire alarm
Casing	ABS plastic
Hold open positions	Any angle
Maximum door size	Power size 7 (maximum weight 160kg, 1600mm width)
Audible warning	Yes
Fire rating	60 minutes

Compliant to	EN1155:1997, EN1634-1:2008, EMC Directive, CE Marked, UKCA Marked
Suitable for	Normal (Category B) installations under BS 7273-4:2015+A1:2021
Installation position	Bottom of door
Part numbers	478-5513 Dorgard Black 338-7715 Dorgard White 286-7462 Dorgard Red

Additional Extras

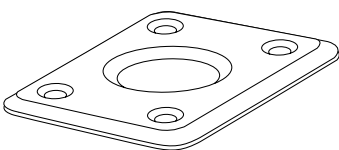
- Supplied with every Dorgard
- Designed for use in areas with slippery floors

Bump Stop Floor Plate



Weight	~65g
Length	150 mm
Width	77.5 mm
Bump Stop Height	27 mm
Height	3.5 mm
Part Number	DG2610

Flush Floor Plate



Weight	~20g
Length	77.5 mm
Width	63.5 mm
Height	3.5 mm
Part Number	DG2612