

SLIMLINE LED BULKHEAD

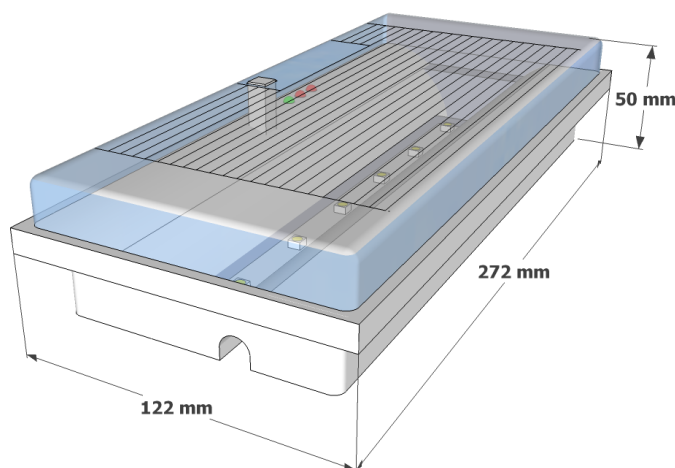
The X-RSL6M light is a high light output, emergency luminaire with the added benefit of utilising LEDs and a self-test facility.



Featuring 6 high illumination LEDs with moulded self-extinguishing polycarbonate base, and fitted with a frosted diffuser, the X-RSL6M is designed for use on escape routes. The diffuser is attached by snap fitting to the base to provide a seal to IP42. The gear tray is also snap fitting and fully removable. Cable knock-outs are provided in the ends. The X-RSL6M complies with the requirements of EN60598-2-22 and is suitable for incorporation into an emergency lighting system complying with BS5266-1:2011.

The X-RSL6M Light can be fitted with universal legend kits (part ULK) making them suitable for use as an external sheltered IP42 exit sign. The X-RSL6M comes in white as standard or a wide range of alternative finishes can be accommodated.

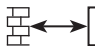


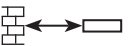
	Lamp Type	Power Con	Battery	Duration	Weight	Emerg Output
X-RSL6M	6 CREE LED's	7 W	3.6V 3Ah Ni-Cd	3 Hours	0.80KG	150 Lumens
X-RSL6/SL	110V ACDC Slave.					
X-RSL6/230	Mains only / 230V AC static inverter					



Options

/LGDL	Clip on suspended legend arrow left
/LGDR	Clip on suspended legend arrow right

- IP42 (Outside Sheltered)
- Polycarbonate/ABS Construction
- Frosted Diffuser
- Removable Gear Tray
- Exit Signs
- Self-Test
- 6 LED's

Mounting Height (M)					
2.5	3.93	8.51	9.28	4.08	OPEN AREAS 0.5 LUX MIN (ANTI-PANIC)
4.0	4.62	10.68	11.97	4.92	
2.5	3.09	7.55	8.11	3.36	ESCAPE ROUTE 1.0 LUX MIN (NORMAL RISK)
4.0	3.61	8.53	9.58	3.73	