

STI EXIT STOPPER®

STI EXIT STOPPER

Stop unauthorised exits and entries through emergency exit doors.

The Exit Stopper is a unique and highly effective way to alert you to any unauthorised exits or entries through any emergency exit door. It can also serve as an inexpensive security device and help prevent theft.

HOW IT WORKS

If the protected door is opened, the electronic Exit Stopper emits an ear piercing alarm. When the door is closed, a number of reset options are available including an automatic function. A variety of alarm duration and setup features are available. See feature chart over. A key operated override facility will silence the alarm and allow authorised exits. The Exit Stopper is fitted with a 9V PP3 alkaline battery. It is available in red or green and can be mounted or installed on almost any type of door, including remote placement of the sounder.



Features

- Completely self-contained electronic door alarm
- Highly visible 'stop sign' discourages unauthorised use of emergency doors.
- Fitted with a 9V PP3 alkaline battery (included)
- Key operated override facility.
- 32 user programmable features
- Highly versatile can be mounted or installed on almost any type of door, including remote placement of sounder
- Available in red or green
- 40 milliamp 9 VDC trigger output
- Can be installed and protecting doors in minutes
- Lifetime guarantee against breakage of polycarbonate housing (one year on electronic components).
- Virtually indestructible polycarbonate housing
- Remote powered 12 or 24 VDC model available for special applications
- Compact design (136mm in diameter and 50mm deep)

Part Numbers

STI 6400 Exit Stopper – red
STI 6402 Exit Stopper – red, suitable for a double door installation

STI 6400/DC1224 Exit Stopper suitable for connection to 12 or 24 VDC

ACCESSORIES

STI 6400/RK Remote installation kit

STI 6400/RS Remote 95/97dB sounder

STI C023/A Spare key

STI L6400 Alarm warning emergency exit sign

OPTIONS

COLOURS AVAILABLE For Green, add /G

EXAMPLE STI6400/G = Exit Stopper in green



**L6400
Alarm Warning
Emergency
Exit Sign**

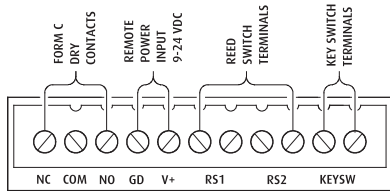
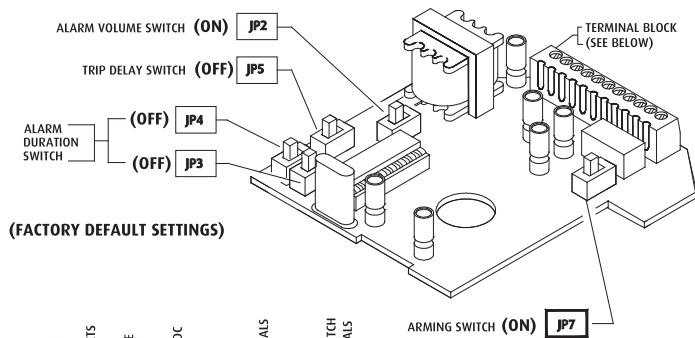


Safety Technology International (Europe) Ltd
Unit 49G Pipers Road • Park Farm Ind. Est. • Redditch • Worcestershire • B98 0HU • England
Telephone: 44 (0) 1527 520 999 • Fax: 44 (0) 1527 501 999
Email: info@sti-europe.com • Web: www.sti-europe.com

Dimensions and Technical Information

User Programmable Feature	JP2	JP3	JP4	JP5	JP7
High Volume* (97dB)	ON				
Low Volume (95dB)	OFF				
Immediate Arming*					ON
15 Second Arming Delay					OFF
Immediate Activation*				OFF	
15 Second Activation Delay				ON	
30 Second Alarm Duration*	OFF	OFF			
180 Second Alarm Duration		OFF	ON		
Continuous Alarm Duration		ON	OFF		
Door Prop Mode (5 beeps)		ON	ON		

* Factory Settings

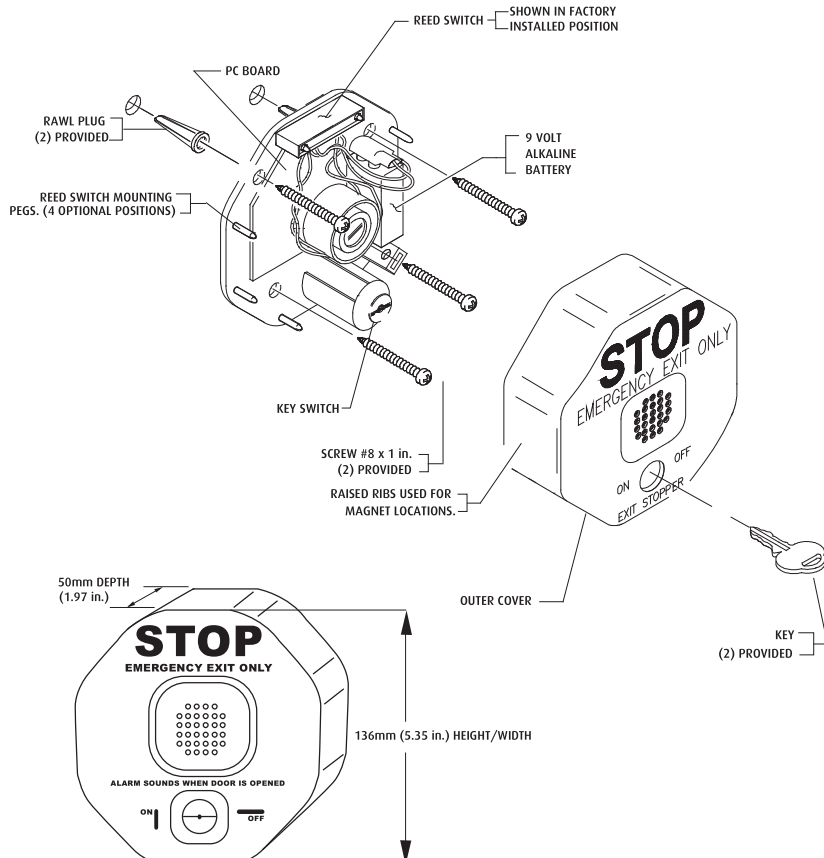


TERMINAL BLOCK WIRING CONNECTIONS

PC BOARD

(⊗ = FACTORY DEFAULT SETTINGS)

FOR COMPLETE ALARM OPTIONS AND SWITCH SETTINGS SEE CHART ON REVERSE SIDE.

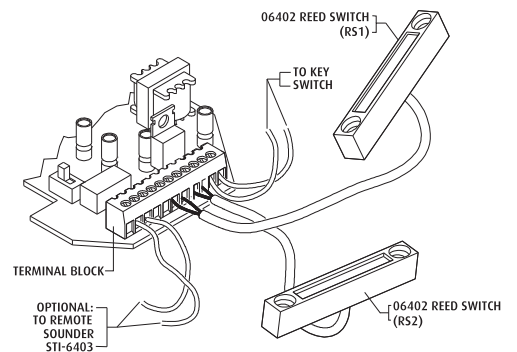
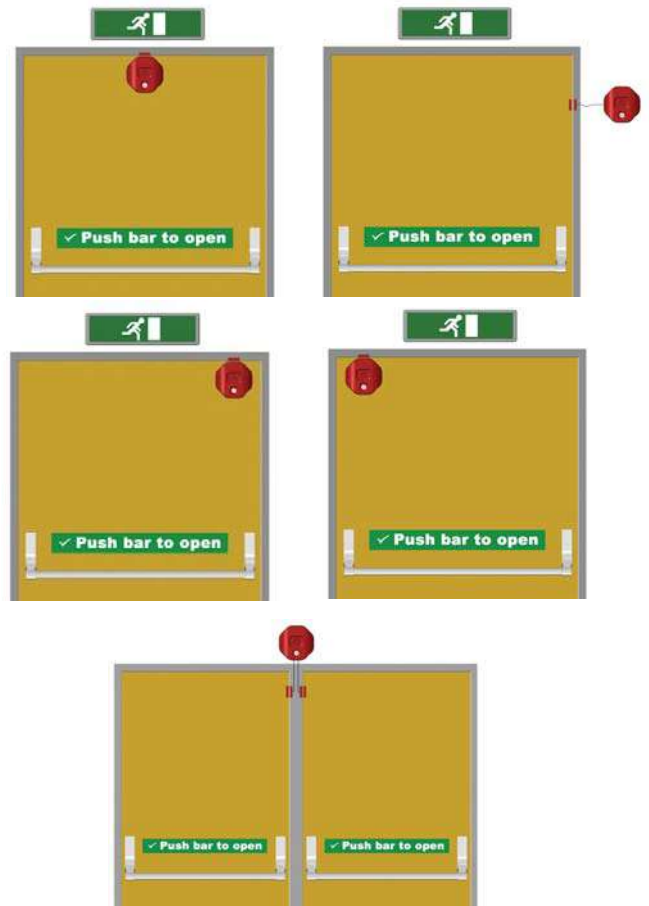


Specifications

Housing	3 mm/1/8" polycarbonate
Power Source	9 VDC Alkaline
Sounder Output (at 1 metre)	95dB - low/97dB - high
Relay Output	9 VDC, 40mA
Dimensions	136mm w x 136mm h x 50mm d
Standby Current	10uA
Alarm Current	200mA

*12 VDC and 24 VDC models are available

FITTING OPTIONS



VIEW SHOWING INSTALLATION OF ADDITIONAL REED SWITCH 06402

Need help? Call our technical support team on **freephone 0800 085 1678**