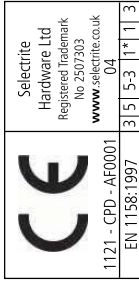


The door co-ordinator will enable a pair of self-closing doors with rebated meeting stiles to close in correct sequence, automatically, irrespective of which door is opened first.

## MK II with Standard Rebate Catch

### Suitable for doors of the following dimensions:

Weight of door: Up to 100kgs  
 Door closer size: 3 - 5  
 Width of each leaf: min. 700mm - max. 1000mm  
 Thickness: min. 38mm - max. 58mm  
 Rebate: max. 25mm



### Fixing template and fitting instruction

This door co-ordinator has been tested in accordance with BS EN 1158 and achieved the following classification and is suitable for use on wood and metal fire doors with flush meeting stiles and astragal.

The co-ordinator consists of a bracket, body and arm assembly, a lift arm, a catch block, two impact plates and all the necessary screws for wood and metal doors (see Fig 1).

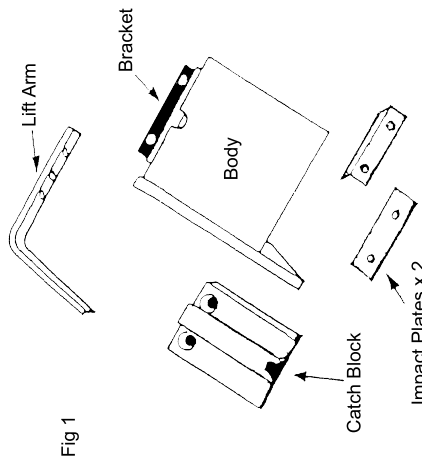


Fig 1

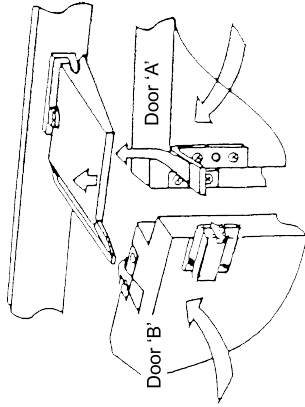


Fig 2

The door co-ordinator will only allow the doors to close in the correct order maintaining the fire resistant seal.

The door co-ordinator operates by ensuring that after both doors have opened door 'A' always closes before door 'B'. When the door closers attempt to close door 'B' first, the arm holds door 'B' open until the lift arm on moving door 'A' raises the body off the impact plate and door 'B' continues to close following door 'A'. (see Fig 2).

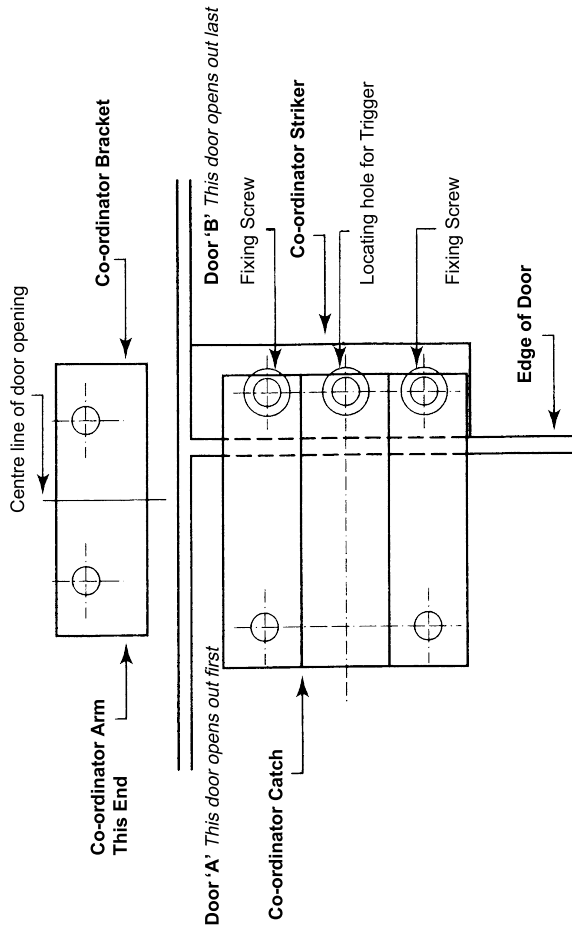
### BEFORE FITTING THIS DOOR CO-ORDINATOR CHECK THAT BOTH DOORS OPEN AND CLOSE FREELY AGAINST ANY SEALS

1. Remove the bracket retaining screw from the body assembly.
2. Select the correct hand of template on the back of this sheet.
3. Position the template at the top of the door ensuring the centreline of the template is correctly positioned.
4. Mark all screw centres.
5. Firmly screw the bracket to the head frame.
6. Firmly slip the catch block and lift arm to the doors.
7. Slip the body onto the bracket, enter the fixing screw uppermost and secure the body to the bracket. This screw is also used to adjust the vertical position of the body. Check that the leg on the body holds the door open and, if necessary, adjust the vertical position with the screw.
8. Observe where the pin of the catch lock rubs on the door, using this mark as a centre line fix the impact plate.
9. Observe where the body rubs on the top of the door, using this mark as a centre line fix the impact plate.
10. Push the first opening door and hold it open, push the second opening door and check that it is held open by the co-ordinator body. Release the first opening door and check that the second door closes.
11. If necessary adjust the length of the leg on the side of the body to ensure that door 'B' is held open sufficiently to allow door 'A' to close. Safety note: Ensure that all of the components supplied are fitted.

Where possible the speed of the door closing devices should be adjusted to a closing speed of between 5 and 7 seconds. Closing speeds faster than this could reduce the working life of this door co-ordinator and the hinges. This product plays an important role in the fire safety of the building. Check the security of all fixings and the correct function of the product at monthly intervals.

# FIXING TEMPLATE DOOR CO-ORDINATOR

applies only to surface applied rebate catch



## FOR OPPOSITE HAND USE TEMPLATE BELOW

