

KCO2M10UK (black)  
KCO2M10UKW (white)



## CARBON DIOXIDE (CO<sub>2</sub>) MONITOR

CO<sub>2</sub> Monitor: 400 to 5000 ppm  
Humidity sensor: 0 to 99% RH  
Temperature sensor: -5 °C to +50 °C



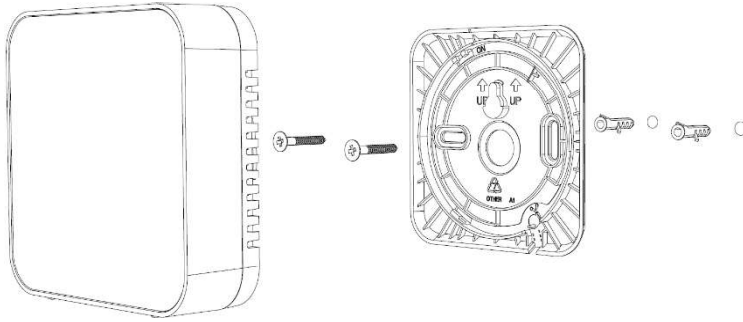
### Key Features:

- Large LCD display providing clear information:
  - CO<sub>2</sub> reading
  - Temperature reading
  - Humidity reading
  - Clock
  - 7-days CO<sub>2</sub> readings history (trend)
- Build in automatic 24-hour CO<sub>2</sub> monitor calibration
- CO<sub>2</sub> NDIR infrared sensor with 10-year lifetime
- “Traffic light” LED notification



- Alarm Sound and voice alerts in selectable languages
  - (English/German/French/Italian/Spanish/Dutch)
- Over 12-hours battery back-up
- Self-adjusting LCD and LED brightness (night mode)
- 2 Multifunction touch buttons

- **Wall mount or freestanding**



- **AC Power adaptor and cable included (cable length: 1.5m)**

### Technical Specification

Working voltage	DC 5 V (Power adapter 5 V/1 A)
Standby current	≤50 mA
CO2 Measuring range	400 ppm to 5000 ppm
Accuracy	±50 ppm ±5% of reading
CO2 Measure resolution and response time	1 ppm; T63 < 60 s
Temperature range	-5 °C to +50 °C
Temperature measurement error range	±1 °C
Temperature measurement resolution and response time	0.1 °C; T63 < 60s
Humidity measurement range	0% to 99% RH
Humidity measurement error range	±5% RH
Humidity measurement resolution and response time	1%; T63 < 90s
Backup battery running time	12 Hours
Product service life	10 Years
Extreme working environment	Working temperature -5 °C to +50 °C working humidity 0 to 90%RH (no condensation)
Protection grade	IP40

### Weight and Dimensions

Overall dimensions	99 mm x 99 mm x 36 mm
Product weight	Net weight 230 g
Case Quantity	6 units
Storage environment	Storage temperature -10 °C to +60 °C storage humidity 0 to 95%RH(no condensation)

### Certification/ Approvals:

EN 50543:2011+AC:2014



### Warranty:

24-month manufacturer's warranty

