

FIRECHIEF REELMAX SWINGING MANUAL FIRE HOSE REELS

FIRECHIEF®
making the world a safer place

MODEL:

RMSM19-B REEL
RMSM25-B MAX



RMSM19-B
102-1079

- Quality construction using powder coated steel and brass
- Supplied 'hose-on' and ready to install
- Supplied with 30m of LPBC approved EN694 fire hose available in 19mm or 25mm options
- Supplied with jet/spray nozzle and gate valve
- Certified by LPCB to EN671-1
- 2 year guarantee
- Supplied with flexible water inlet pipe
- Designed for emergency use



+44 (0) 330 999 0019



sales@firechiefglobal.com



firechiefglobal.com

FIRECHIEF REELMAX SWINGING MANUAL FIRE HOSE REELS

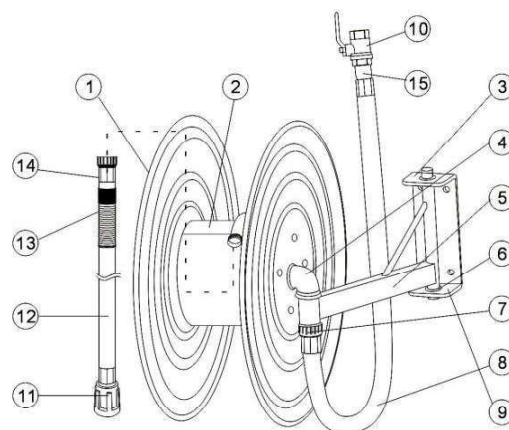


Features

- Hose reel with powder coated and anti-ultraviolet side discs
- Corrosion resistant full brass waterway
- Leak proof hose fitting used to connect fire hose to water outlet
- High pressure resistance; maximum working pressure, 12 bar
- Robust leak free design providing over 3000 rotations of the hose reel with no leakage
- High pressure spray. The nozzle can be adjusted to jet/spray
- This type of hose reel can be used in a fire hose reel cabinet
- Supplied with LPBC approved EN694 fire hose, ideal for applications where long intervals can occur between use

MODEL:

RMSM19-B REEL
RMSM25-B MAX



Parts

1. Hose Reel Disc	9. Swinging Arm Pivot
2. Hose Drum	10. Gate Valve
3. Mounting Bracket	11. Nozzle
4. Water Inlet	12. Fire Hose
5. Swinging Arm	13. Spring Wire Hose Support
6. Locking Screw	14. Outlet Joint
7. Inlet Joint	15. Connector
8. Inlet Pipe	

Usage

1. Open the valve (10), pull towards fire and open nozzle (11) to spray/jet and aim at base of fire.
2. After use, close the valve (10), drain water from the hose, rewind the hose and close nozzle.



Code	Model	Description	Hose Nominal Bore (mm)	Hose Maximum Length (m)	Nozzle Type	LPBC Ref. No.
102-1079	RMSM19-B	Manual, swinging arm, cabinet or wall mounted	19	30	Rotary operated jet/spray	1093e/01
102-1080	RMSM25-B	Manual, swinging arm, cabinet or wall mounted	25	30	Rotary operated jet/spray	1093e/02

For more information contact: Firechief Global, 3 Lands End Way, Oakham, Rutland, UK, LE15 6RB | Imported into EU by: Sentura Group (Ireland) Ltd, Joyce House, 21-23 Holles Street, Dublin 2, Ireland

+44 (0) 330 999 0019

sales@firechiefglobal.com

firechiefglobal.com