

FIRECHIEF®
making the world a safer place

KITCHEN STOVE GUARD

INSTALLATION GUIDE



FSW1E

CE **EN 50615** **UK
CA**

CONTENTS

1. INTRODUCTION.....	3
1.1 SYMBOLS AND MARKINGS USED	4
1.2 SAFETY	5
2 CONTROL UNIT INSTALLATION	6
2.1 FIXED INSTALLATION (C132-TITO-FCG)	6
2.1.1 SALES PACKAGE CONTENTS	9
2.1.2 TECHNICAL SPECIFICATIONS.....	9
2.1.3 UK DECLARATION OF CONFORMITY.....	9
3 SENSOR UNIT INSTALLATION.....	10
3.1 TECHNICAL SPECIFICATIONS	10
3.2 REQUIRED PARTS	10
3.3 CHOOSING THE INSTALLATION ZONE.....	10
3.4 QUICK INSTALLATION GUIDE	11
3.5 STARTING THE SENSOR UNIT.....	12
3.6 MOUNTING TO COOKER HOOD	12
3.7 WALL MOUNTING	13
3.8 CHANGING THE INSTALLATION ZONE	15
3.9 CHANGING THE STOVE TYPE	17
3.10 SELECTING THE WIDE STOVE SETTING.....	18
4 FUNCTION TEST.....	20
5 USER GUIDE AND MAINTENANCE	21
5.1 DAILY USE.....	21
5.2 BYPASS MODE.....	22
5.3 SAFETY LOCK.....	23
5.4 AUTOMATIC SAFETY TIMER (AST).....	23
5.5 DISLOCATION DETECTION.....	24
5.6 LOW BATTERY DETECTION AND CHANGING THE BATTERIES	25
EMERGENCY USE MODE	25
CHANGING THE BATTERIES.....	26
5.7 PAIRING NEW DEVICES	27
5.8 FREQUENTLY ASKED QUESTIONS (FAQ)	28
6 WARRANTY & DISPOSAL	29
6.1 WARRANTY	29
6.2 DISPOSAL.....	31

1. INTRODUCTION

THANK YOU FOR CHOOSING THE FIRECHIEF KITCHEN STOVE GUARD (FSW1E)

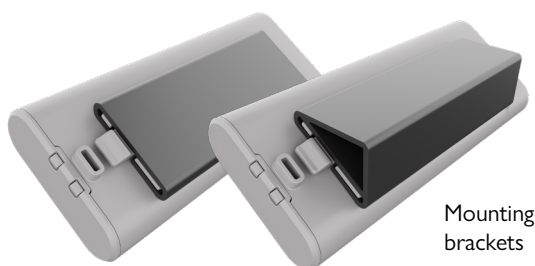
Firechief Kitchen Stove Guard is an innovative safety product for domestic kitchens. It consists of a state-of-the-art sensor unit that monitors the stove from above, and a control unit that disconnects the power if a dangerous situation occurs. Be sure to read this manual prior to commencing installation.

PACKAGE CONTENTS:

- Control Unit for fixed installation
- Sensor Unit
- Batteries (2 x AAA)
- Quick start guide
- Mounting brackets



Control Unit



Mounting brackets



Sensor Unit



SAFETY RULES

Firechief Kitchen Stove Guard does not prevent all potentially dangerous situations, but it makes the use of the cooker significantly safer. Never leave the cooker unattended. Always check compliance with local regulations.

- For indoor use only.
- Do not use in a professional kitchen.
- Do not hold the Heat Sensor close to ears. It will emit a loud sound when the alarm is triggered or in test mode, which can cause hearing damage.
- Do not leave children alone with the product or any of its parts or packaging. There is a risk of choking.
- Do not disassemble the product.
- Do not immerse the Heat Sensor in water.
- The Stove Guard will not emit an alarm if the temperature of the cooker is too low to identify a dangerous situation, or if the cooker has an automatic limitation of temperature increase.
- The Stove Guard will not completely isolate the cooker. It must never be used to turn off the cooker's power supply for service/repair.
- Do not short-circuit, charge, open or heat the batteries. There is a risk of explosion.

The operating instructions, accessories and stickers must accompany the product. Follow the safety guidance for safe use of Stove Guard. If you have questions about the product, ask a specialist or refer to firechiefglobal.com

1.1 SYMBOLS AND MARKINGS USED

All documents must be left with the product for future reference. Follow the safety information for the safe use of the Stove Guard. If you have questions about the product, ask your reseller or contact the Firechief® Team at www.firechiefglobal.com/contact-us



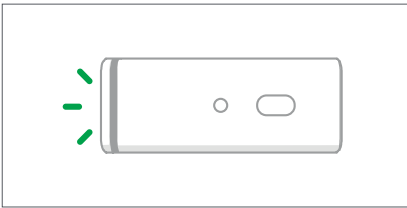
Danger:

The term “Danger” indicates an imminently hazardous situation which, if not avoided, will result in death or serious injury.



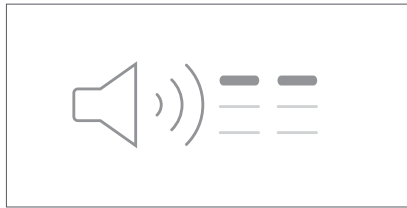
Warning:

The term “Warning” indicates a potentially hazardous situation which, if not avoided, could result in death or serious injury.

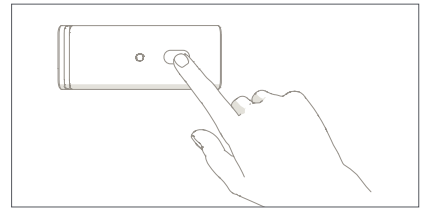


- continue
- alert
- safety action
- connecting
- bypass mode

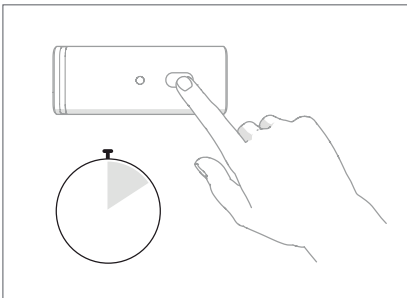
Sensor status indicated by the Sensor Unit LED.



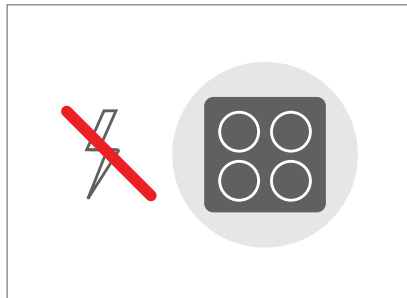
The grey bars depict the sound signals made by the Control Unit.
The coloured bars depict the sound signals made by the Sensor Unit.



Press the Sensor Unit button.



Press and hold the Sensor Unit button.



No power to the stove.

1.2 SAFETY

The Stove Guard does not prevent all potentially dangerous situations but it makes the use of the cooking stove significantly safer. Do not leave the stove unattended. Make sure that the electrical installation of the Stove Guard is in compliance with local regulations.



Warning: Do not disassemble the product.



Warning: Do not use in a professional kitchen.



Warning: Risk of choking. Do not leave children alone with the product or any of its parts or packaging.



Warning: This device may not be suitable for fires originating from flammable materials left in proximity of the stove or on the stove.



Warning: The Stove Guard will not emit an alarm if the temperature of the stove is too low to identify a dangerous situation, or if the stove has an automatic limitation of temperature increase.



Warning: Do not immerse the Heat Sensor in water.



Warning: For indoor use only.



Warning: Risk of hearing damage during an alarm. Do not hold the Heat Sensor close to your ear.



Warning: Risk of explosion. Do not short-circuit, charge, open or heat the batteries.



Warning: Risk of electric shock. Do not use the Stove Guard to disconnect the power supply to the stove for service/repair. The Stove Guard does not completely isolate the stove.



Warning: Devices for fire prevention, detection and suppression will not detect all possible hazards due to different cooking habits.



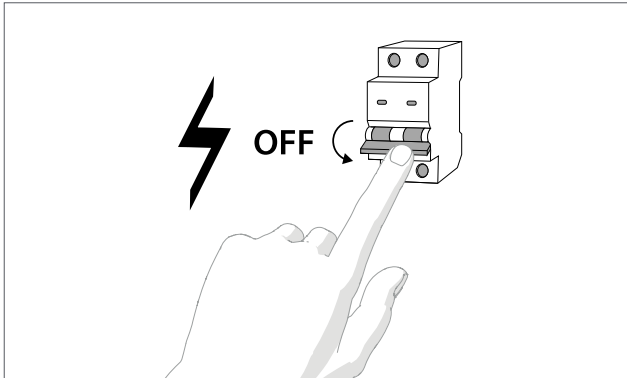
Warning: This appliance can be used by children aged from 8 years and above and persons with reduced physical, sensory or mental capabilities or lack of experience and knowledge if they have been given supervision or instruction concerning use of the appliance in a safe way and understand the hazards involved. Children shall not play with the appliance. Cleaning and user maintenance shall not be made by children without supervision.



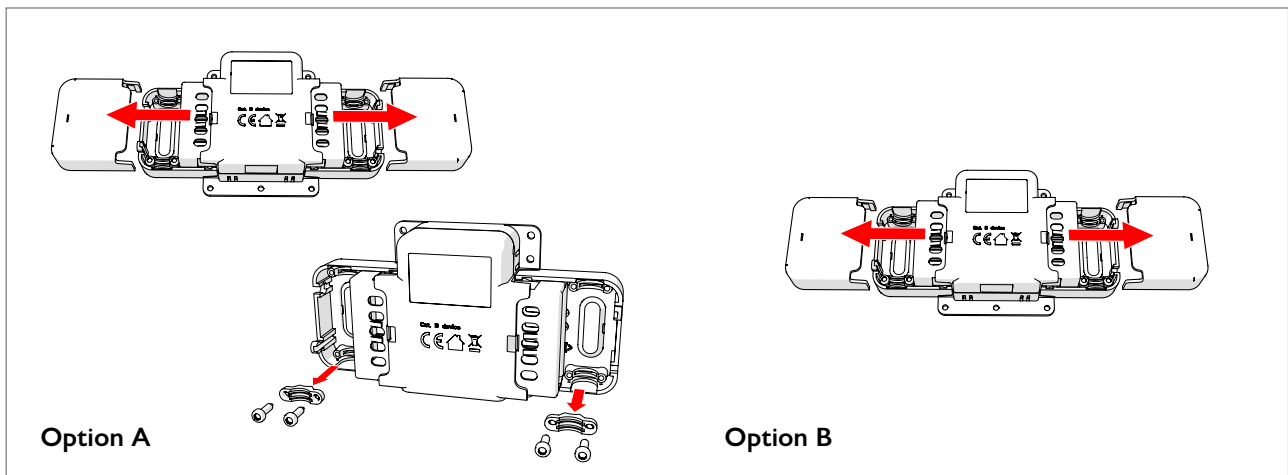
Warning: The input cord cannot be replaced. If the cord is damaged, the appliance should be scrapped.

2 CONTROL UNIT INSTALLATION

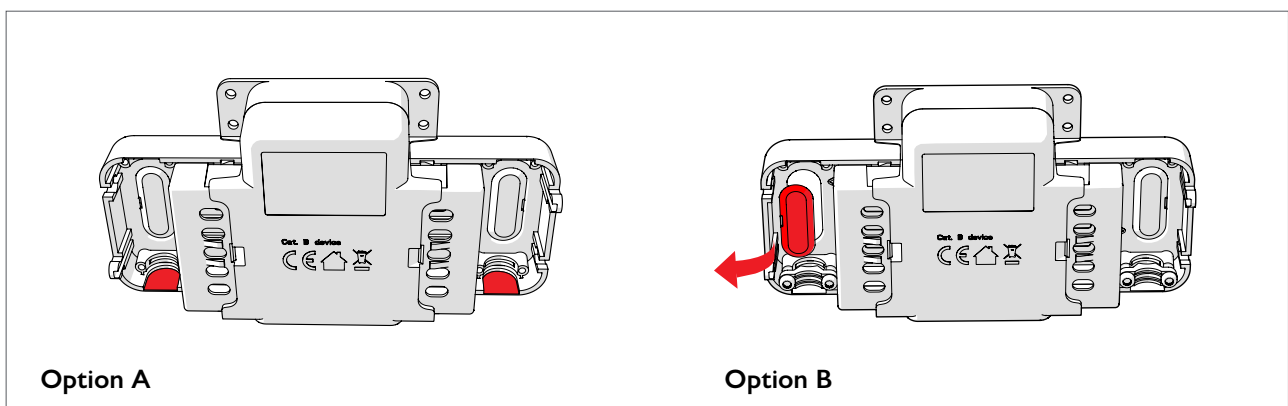
2.1 FIXED INSTALLATION (C132-TITO-FCG)



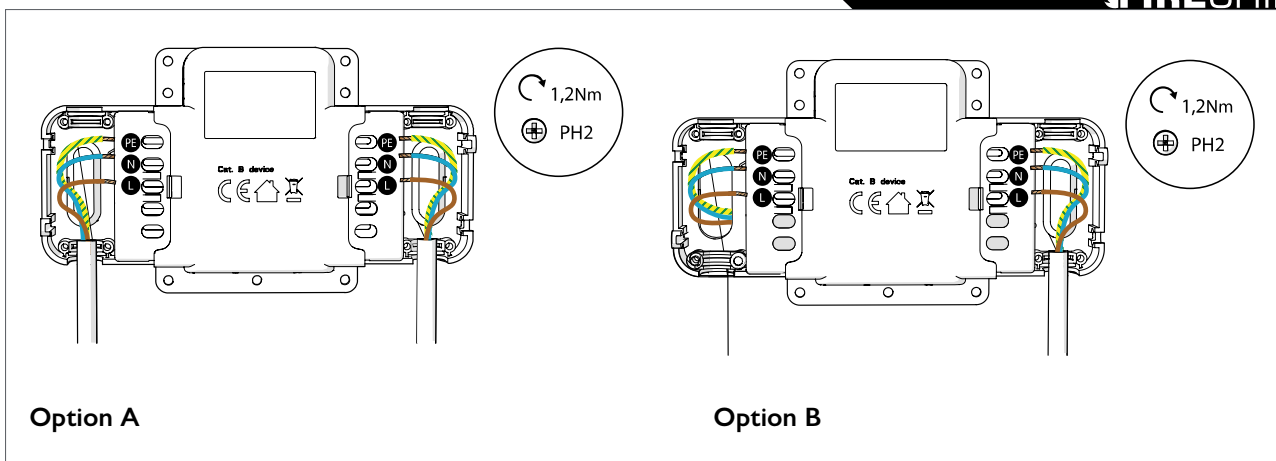
1. Switch off the power from the electrical panel.



2. Remove the Control Unit lids and the strain relief clamps on the left and right hand side (Option A). Remove the Control Unit lids (Option B).

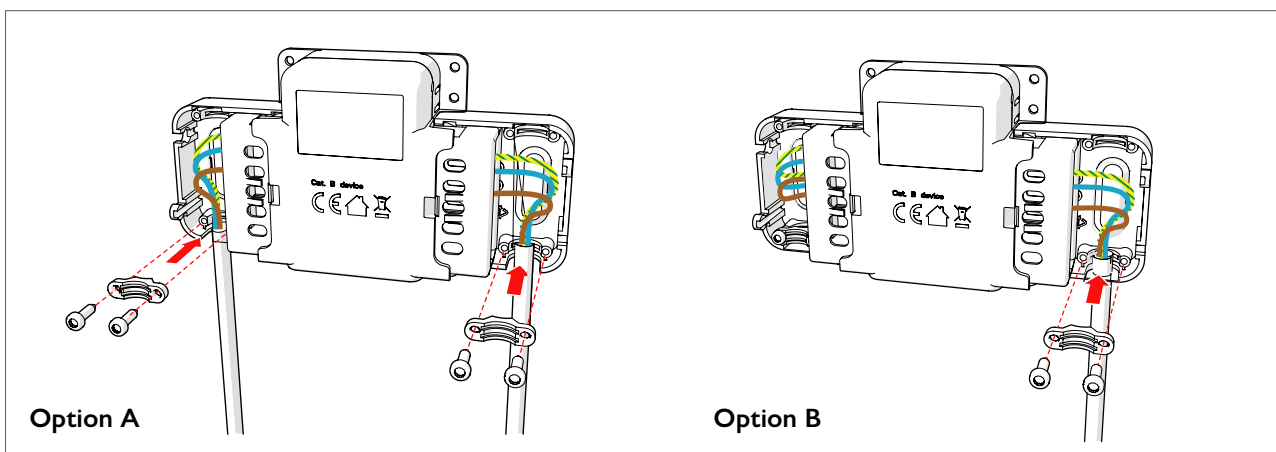


3. Remove the knock-out lids (Option A). Remove a knock-out from the bottom (Option B).

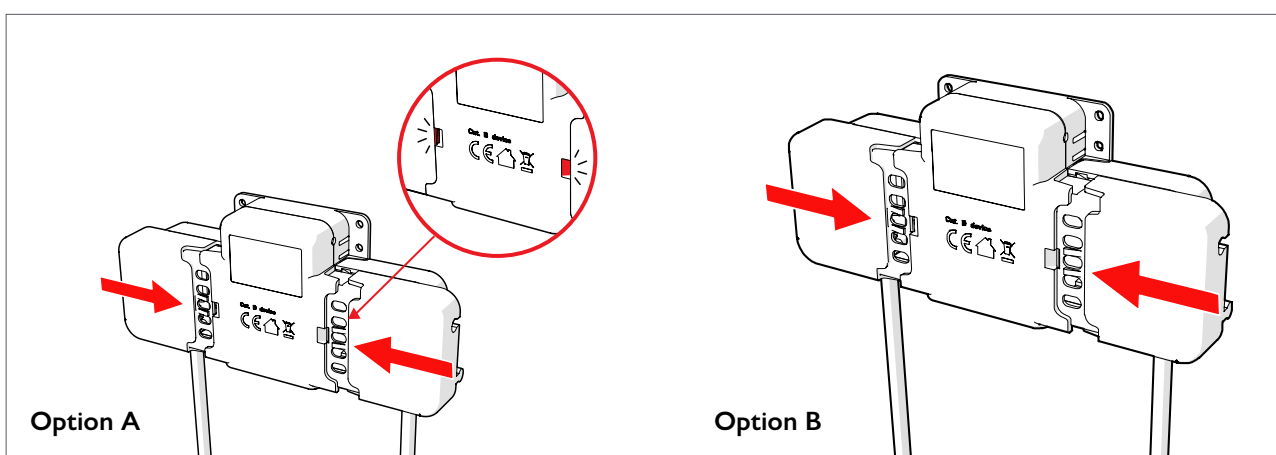


4. Strip 10 mm from the end of all the wires. Connect the input (left side, power mains) and output (right side, stove/cooktop) wires. Connect PE-N-L on both sides.

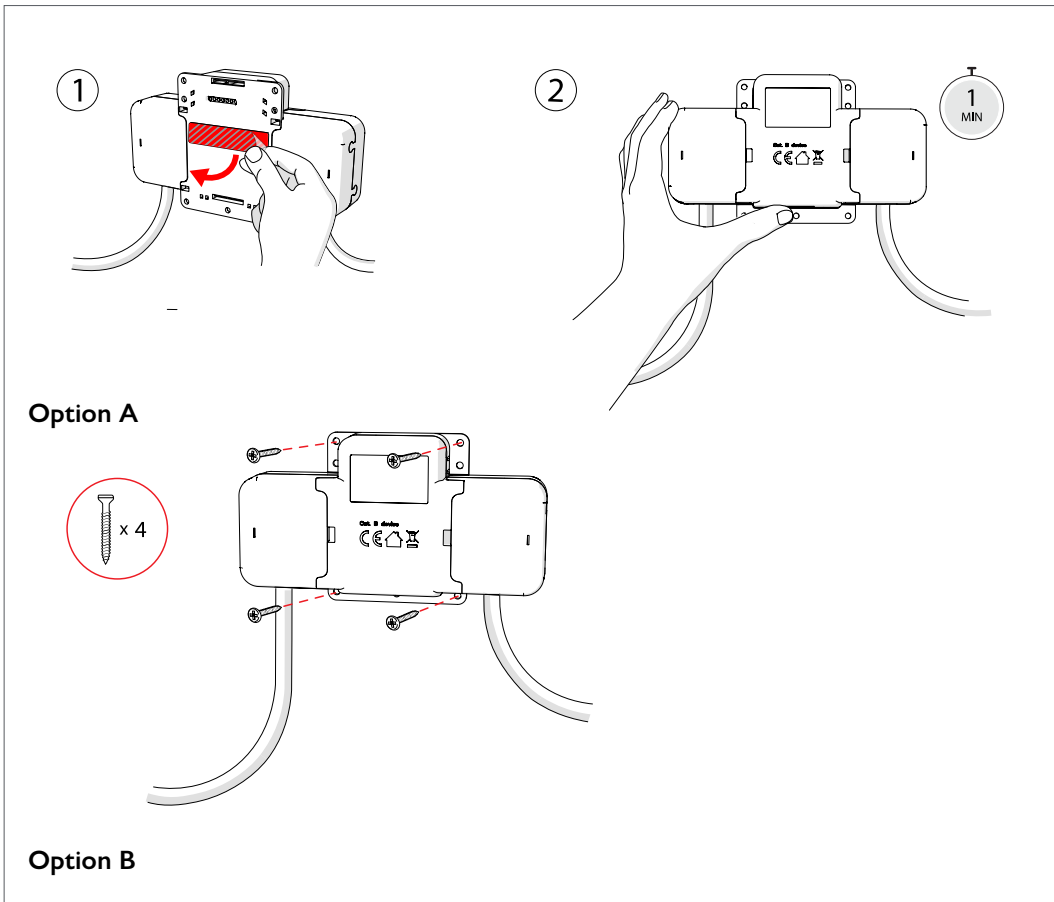
! **Note:** Do not overtighten the screws.



5. Attach the strain relief.

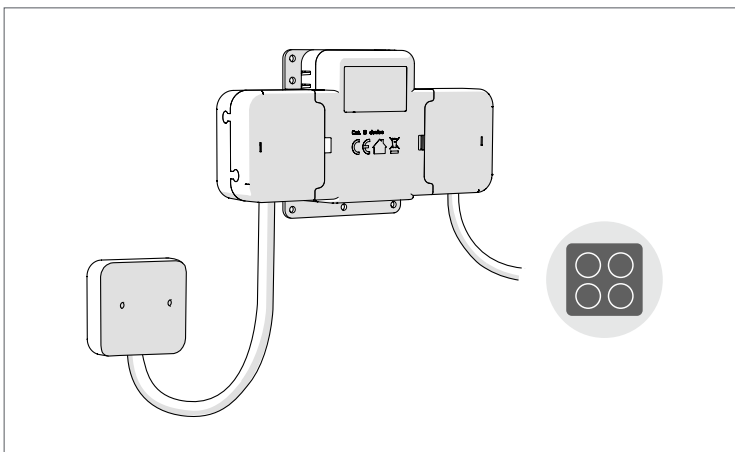


6. Close the Control Unit lids.

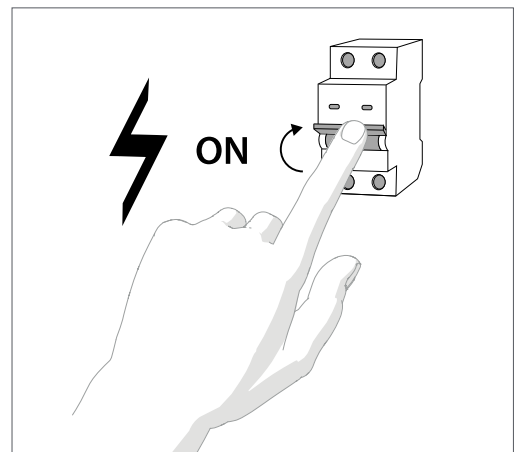


7. Remove the protective film from the adhesive tape and firmly press and hold the unit against the wall for one minute to make sure that it is properly attached to the wall.

! **Note:** Optionally, you can attach the unit to a wall with four M4 screws (Option B).



8. Connect the stove power plug. Make sure that the plug is properly inserted..

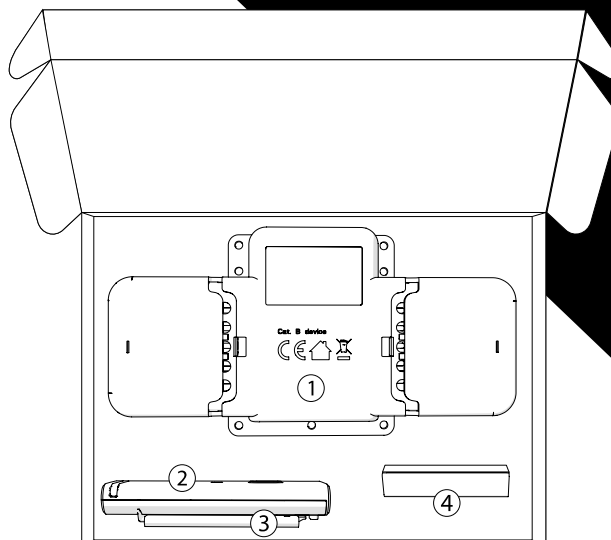


9. Switch on the power to the stove from the electrical panel.

2.1.1 SALES PACKAGE CONTENTS

Firechief® Kitchen Stove Guard Fixed Installation

1. Control Unit C132-TITO-FCG
2. Sensor Unit S620
3. Flat Bracket for Hood/Ceiling
4. Wall Bracket
5. Cupboard Info Sticker
6. User Quick Guide
7. Installer Quick Guide on the reverse side of the package sleeve



2.1.2 TECHNICAL SPECIFICATIONS

C132-TITO-FCG CONTROL UNIT	
Compliant with the standard:	EN 50615
Patents:	Internationally Patented Technology
Supported grid network:	TN, TT
Max. supported current:	1x32 A
Operating temperature and humidity:	0-+40 °C, max. 95 % non-condensing
Power consumption:	4 W
Device dimensions and weight:	201 x 116 x 43 mm, 370 g
Connectivity:	BLE5.3, 2.4 GHz
Firmware version:	v1.1.2

2.1.3 UK DECLARATION OF CONFORMITY

Please see separate information sheet for the full Declaration of Conformity details.



3 SENSOR UNIT INSTALLATION

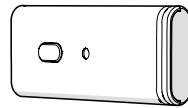
3.1 TECHNICAL SPECIFICATIONS

S62X SENSOR UNIT	
Compliant with the standard:	NEK EN 50615
Patents:	Internationally patented technology
Installation type:	To the cooker hood, on the wall, to the ceiling
Max. supported stove width:	90 cm (from firmware version v1.2.0 onwards) 60 cm (for firmware versions v1.0.0 and v1.1.2)
Operating temperature, humidity:	+10-+50 °C, max. 95 % non-condensing
Power supply:	2 x 1.5V AAA batteries
Power consumption:	< 6 µA (standby mode)
Battery life:	2 years minimum with normal household use
Device dimensions and weight:	110 x 45 x 20 mm, 55 g
Connectivity:	BLE5.3, 2.4 GHz
Sound pressure level:	Alarm signal min. 65 dB(A) @ 1 m

3.2 REQUIRED PARTS

Select the correct installation bracket for the chosen installation method.

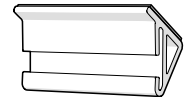
1. Sensor Unit
2. Flat Bracket for Hood/Ceiling installation
(attached to the Sensor Unit when delivered)
3. Wall Bracket



①



②



③

3.3 CHOOSING THE INSTALLATION ZONE



Note: With cooktops wider than 60 cm, see [selecting the wide stove setting](#).

- Install the sensor to the cooker hood, if possible.
- If there is no cooker hood but the stove is near a wall, install the sensor on the wall.
- If there is no cooker hood and the stove is not near a wall, install the sensor to the ceiling (140-200 cm above the stove).



Note: Sloped ceilings are not suitable for the installation of the Sensor Unit. The Sensor Unit must be installed vertically above the stove.



Note: Use the Firechief® Kitchen Stove Guard app if you install the sensor to the ceiling at a height other than 160cm above the stove.

Refer to the specific installation instructions for each method in the following sections of this manual.

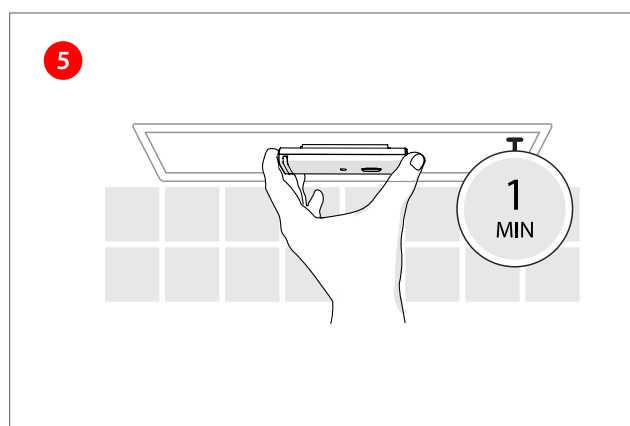
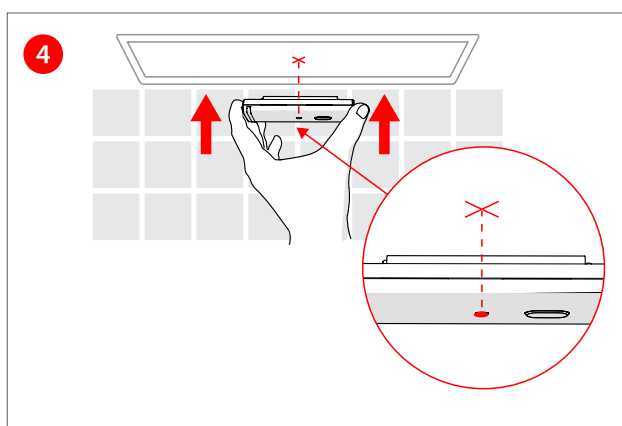
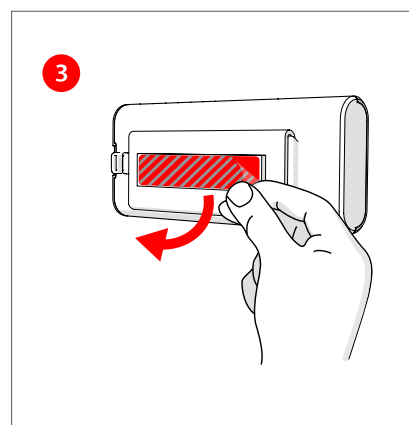
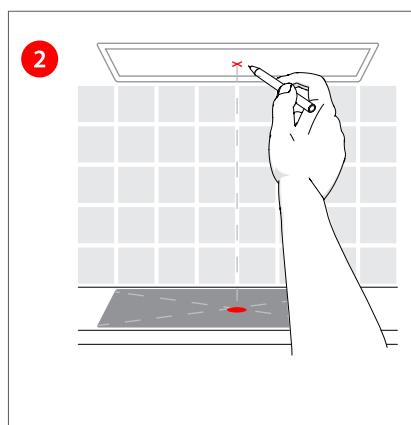
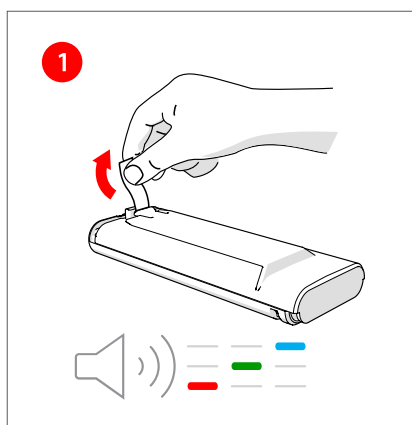
3.4 QUICK INSTALLATION GUIDE

Factory settings for the Sensor Unit:

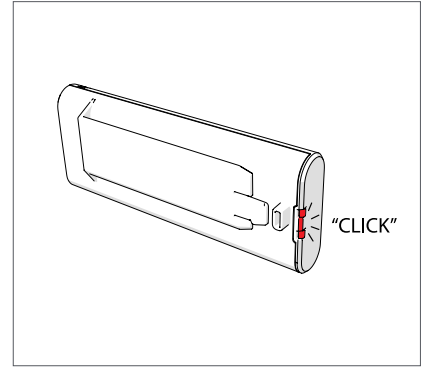
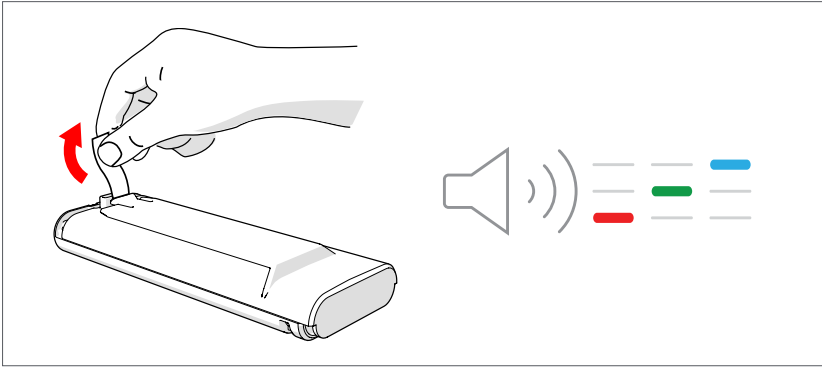
- Cooker hood installation (at 50-60 cm above the cooktop)
- Induction stove (max width 60 cm)

If these match what you have in your kitchen, you can use the following illustrated quick installation guide.

If you need to change the settings or installation method, see the more detailed installation instructions in the following chapters.



3.5 STARTING THE SENSOR UNIT



1. Remove the plastic pull tab from the two 1.5V AAA batteries to activate the Sensor Unit. The Sensor Unit starts up and confirms with an OK signal.

2. Close the Sensor Unit cover.

! **Note:** By default, the cover of the Sensor Unit is slightly open (3 mm gap). Make sure that the cover is completely closed before use.

3.6 MOUNTING TO COOKER HOOD

The Sensor Unit is installed to the cooker hood with the flat installation bracket.

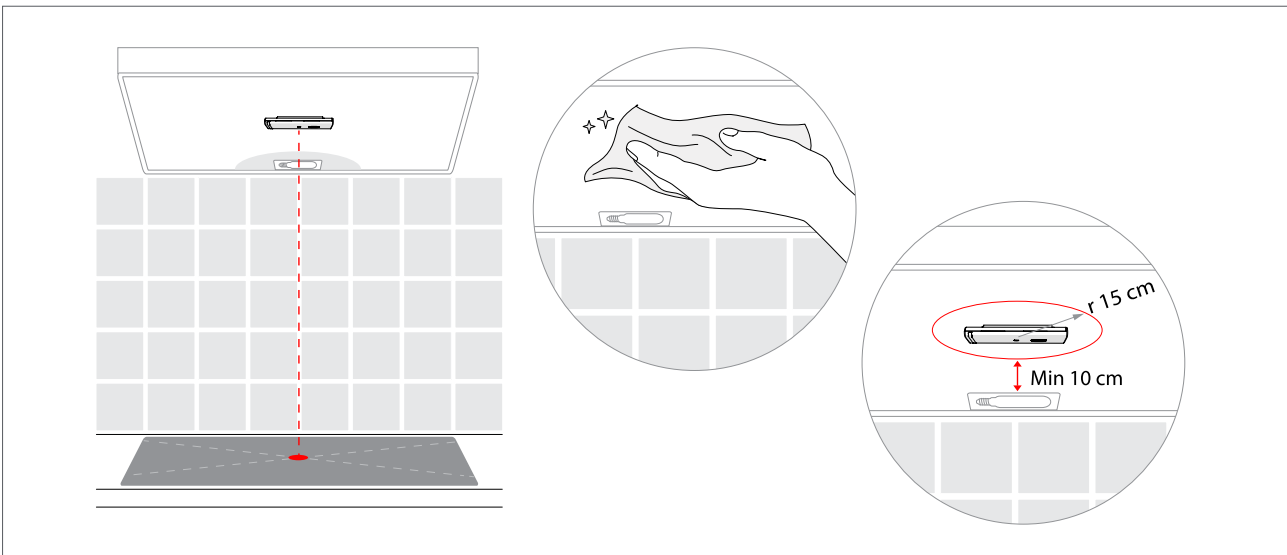
! **Note:** The flat installation bracket can be installed with the adhesive tape on the back of the bracket or with two countersunk screws (3-4 mm thread diameter, not included in the package).

If you choose to install the bracket with the adhesive tape, make sure that the flat installation bracket is attached to the Sensor Unit before you begin.

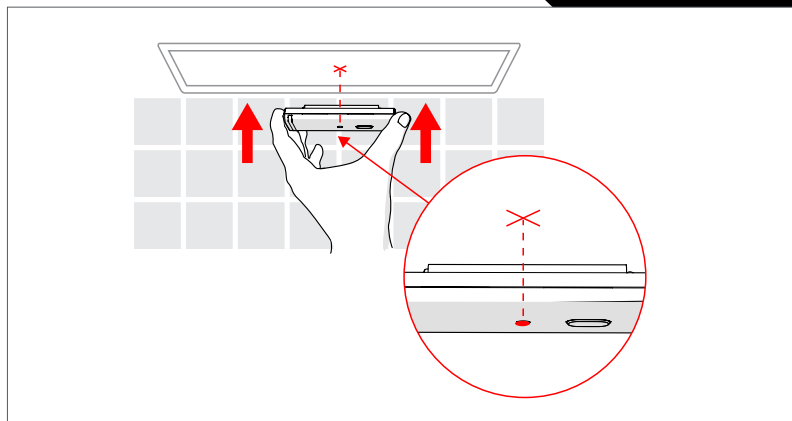
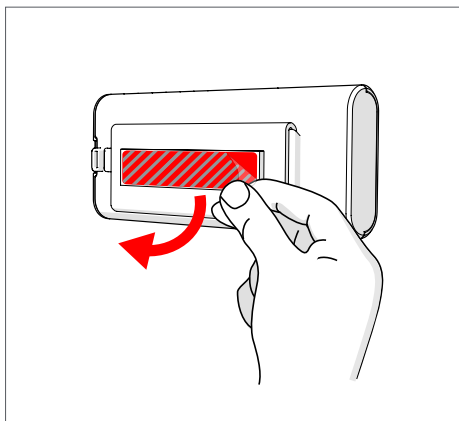
If you choose to install the bracket with the screws, remove the bracket from the Sensor Unit before you begin.

1. Find a spot for the Sensor Unit above the center point of the stove and clean the chosen spot thoroughly.

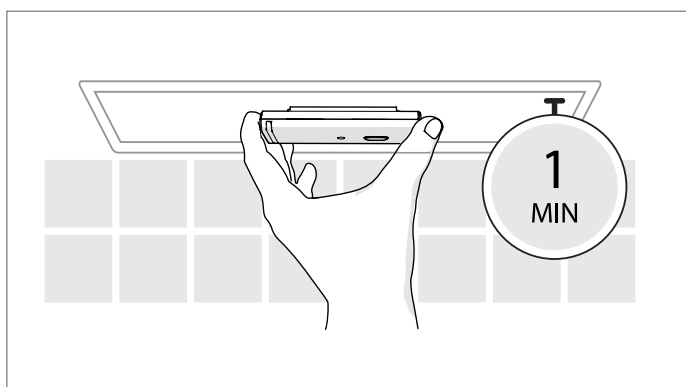
! **Note:** In cases where the cooker hood lamp gets hot, make sure that there is at least 10 cm of space between the installation bracket and the cooker hood lamp at the chosen spot.



! **Note:** If you chose to install the bracket with two countersunk screws (3-4 mm thread diameter), make sure that the screws are flush with the bracket to allow the Sensor Unit to slide freely on the bracket. The countersunk screws are not included in the sales package.

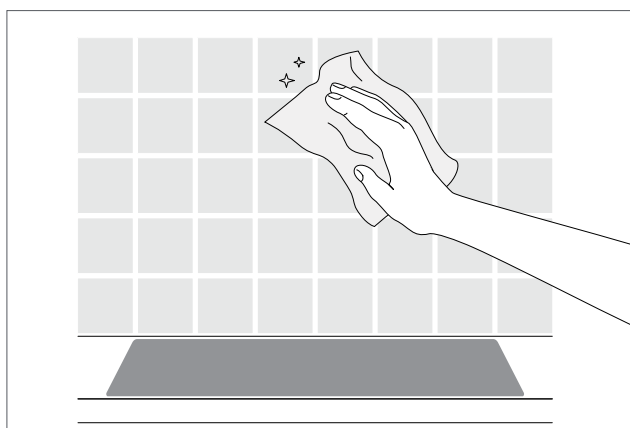


2. Remove the protective film from the adhesive tape on the back of the flat installation bracket.
3. Position the Sensor Unit so that the sensor button is facing down and it is on the right-hand side.
4. Lift the Sensor Unit up to the chosen installation spot on the cooker hood.

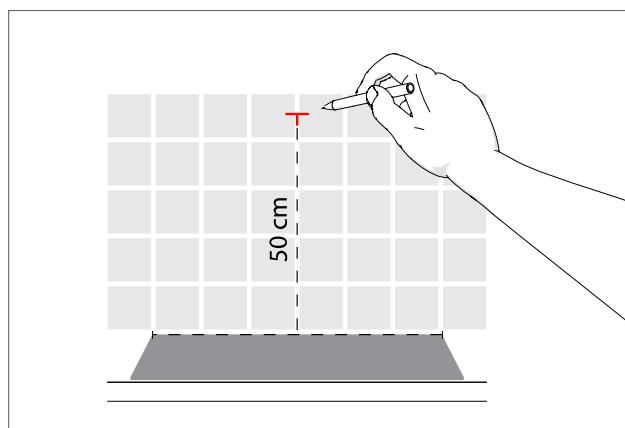


5. Firmly press and hold the Sensor Unit against the cooker hood for one minute to make sure that it is properly attached to the cooker hood.
6. Measure the distance from the cooktop to the cooker hood. For cooktops that are 60 cm wide, see [Changing the installation zone](#), and for cooktops that are wider than 60 cm, see [Selecting the wide stove setting](#).

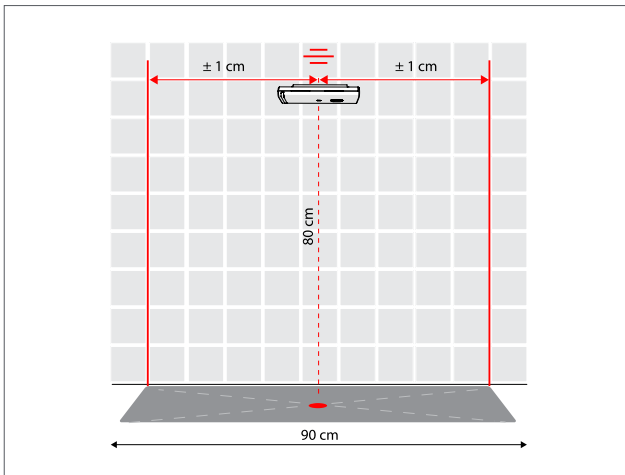
3.7 WALL MOUNTING



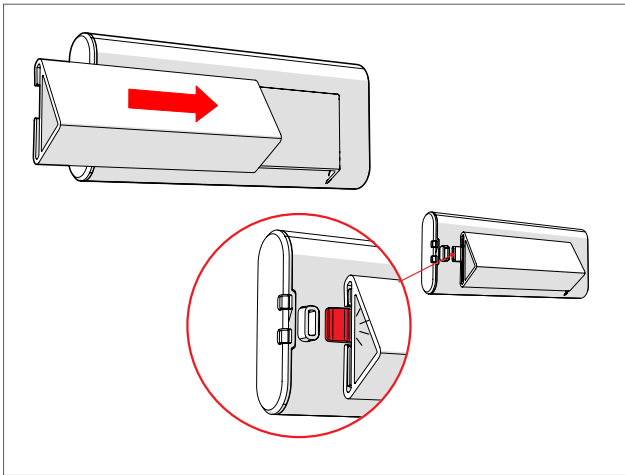
1. Clean the wall behind the stove thoroughly.



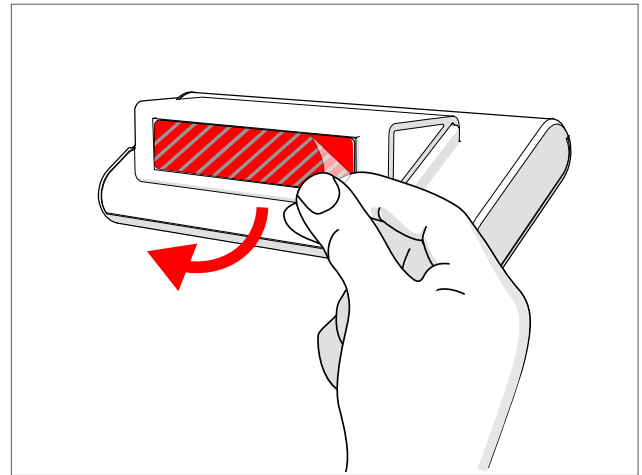
2. Measure and mark a spot on the wall 50 cm above the stove.



If you are using a wide stove (61-90 cm in width), make sure that you install the Sensor Unit along the center point of the stove. Measure and mark the spot 80 cm above the stove.



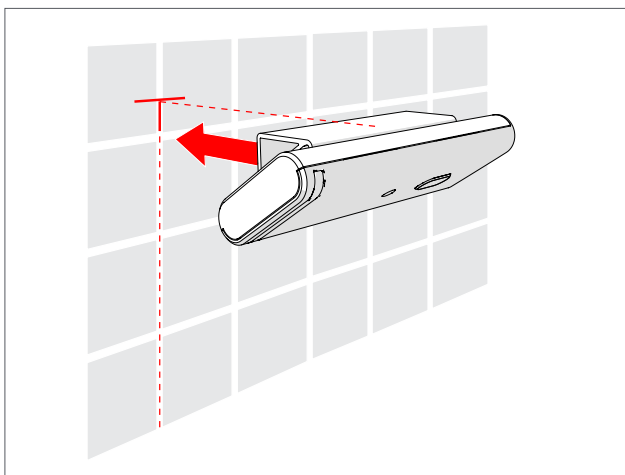
3. Remove the Flat Bracket. Slide the Wall bracket onto the back of the Sensor Unit.



4. Remove the protective film from the adhesive tape at the side of the Wall bracket.

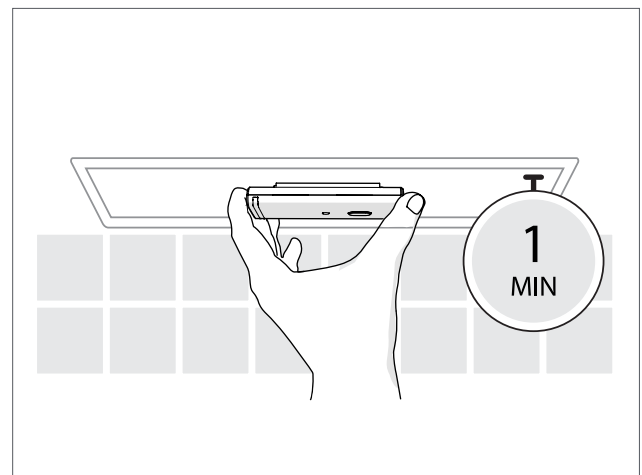


Note: Make sure that the bracket clicks into place and is firmly attached to the Sensor Unit.



5. Position the Sensor Unit with the Wall bracket so that the sensor button is on the right-hand side and the adhesive tape is facing the wall.

6. Lift the Sensor to the chosen installation spot on the wall.



7. Firmly press and hold the Sensor Unit against the wall for one minute to make sure that it is properly attached to the wall.

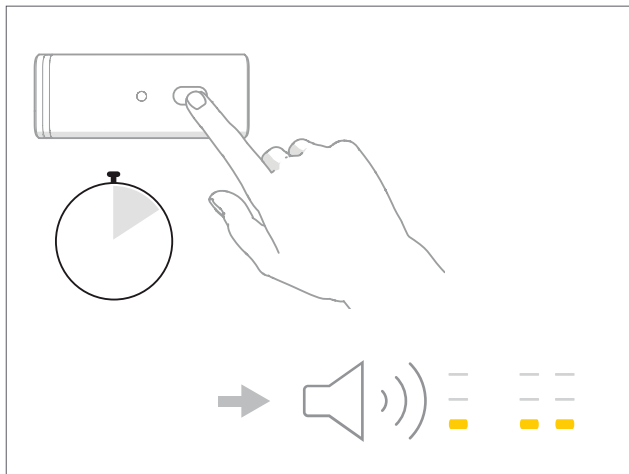
3.8 CHANGING THE INSTALLATION ZONE

To manually change the Sensor Unit sensitivity to match different mounting locations, follow these instructions.

! **Note:** You can also easily change the settings from the Firechief® Kitchen Stove Guard app. Download the app from AppStore or Google Play.

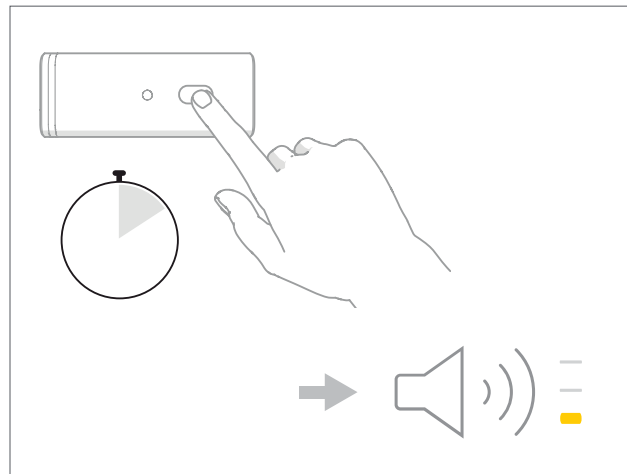
The following instructions are for changing the settings without using the app.

! **Note:** With cooktops wider than 60 cm, see [Selecting the wide stove setting](#).



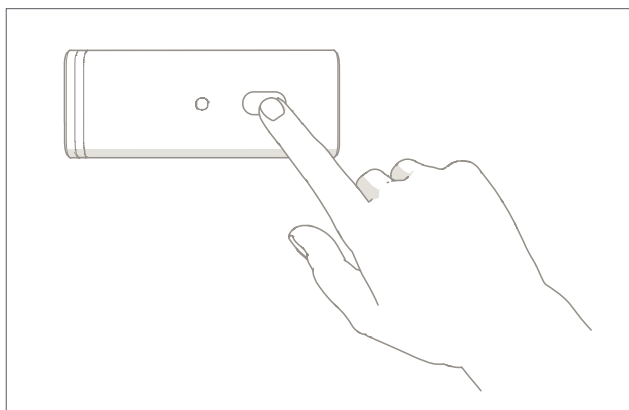
1. Press and hold the sensor button until you hear two consecutive beeps. Release the button.

The Sensor Unit confirms with a sound and light, and enters Setup Mode.



2. Press and hold the sensor button until you hear one beep. Release the button.

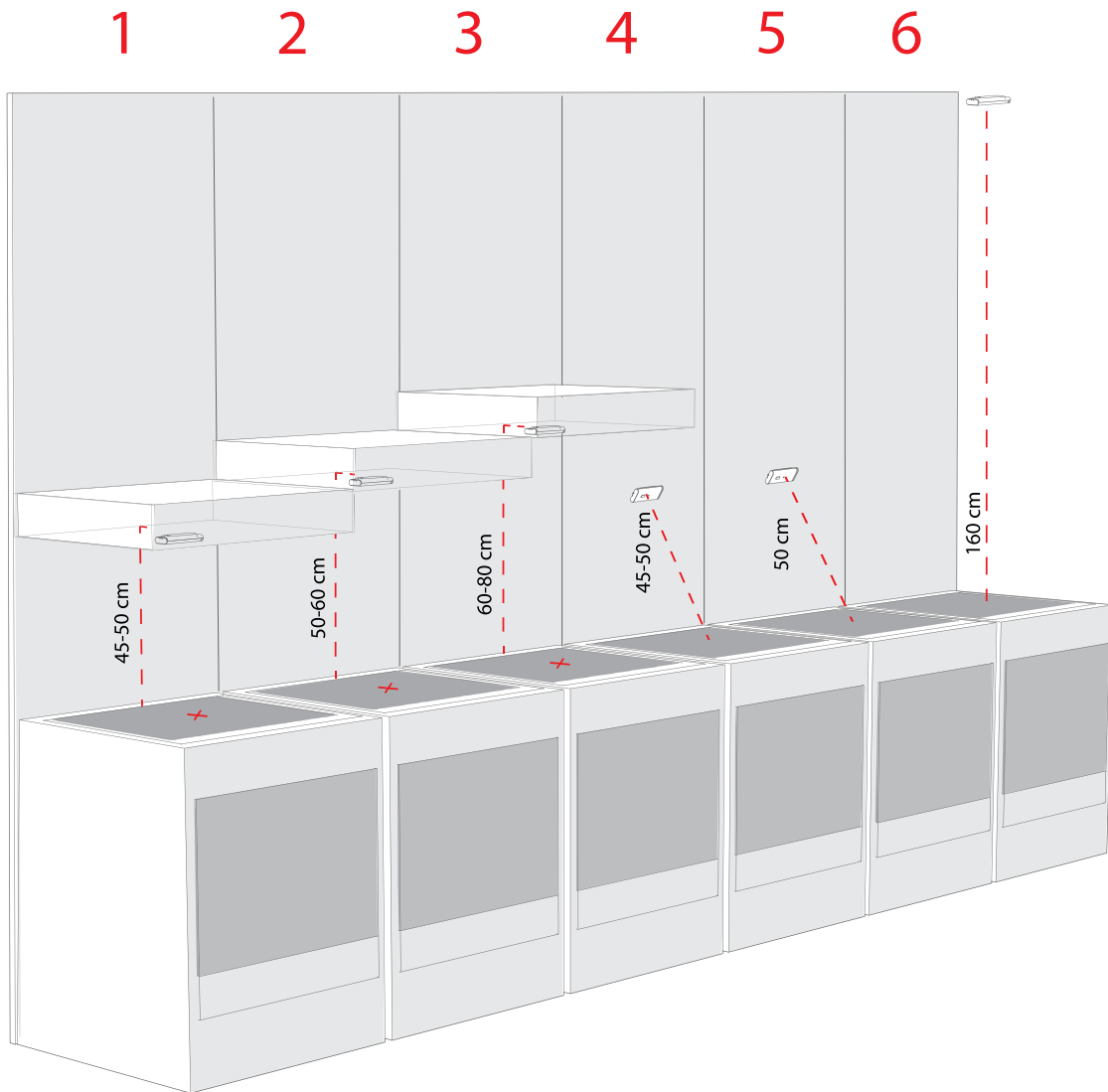
The Sensor Unit confirms with a sound and light, and enters Stove Type Configuration Mode.



3. Press the button X times to set the Installation Zone (see the following table).

The Sensor Unit confirms the selection with the same number of consecutive beeps.

See the following figure for the different Installation Zone settings.

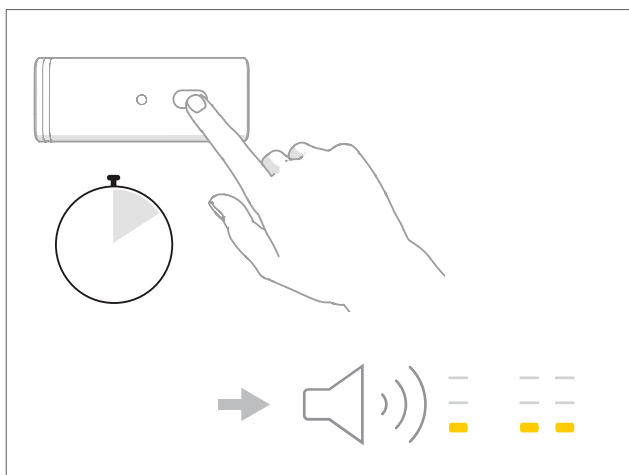


1 press	2 presses	3 presses	4 presses	5 presses	6 presses
Zone 1	Zone 2	Zone 3	Zone 4	Zone 5	Zone 6
(Cooker Hood)	(Cooker Hood)	(Cooker Hood)	(Wall)	(Wall)	(Ceiling)
45-50 cm	50-60 cm	60-80 cm	45-50 cm	(Induction) 50cm	160 cm

3.9 CHANGING THE STOVE TYPE

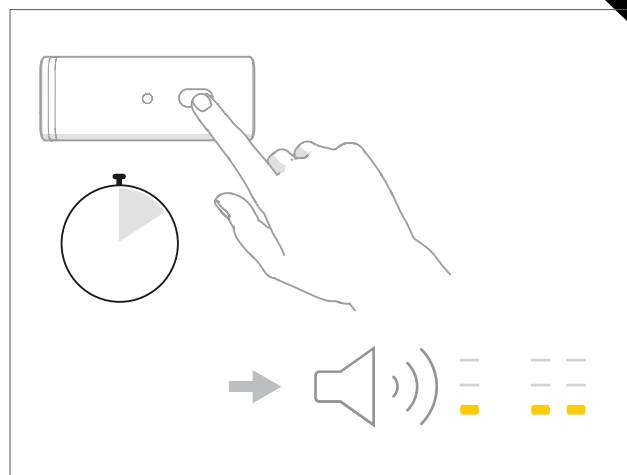
! **Note:** With cooktops wider than 60 cm, see [Selecting the wide stove setting](#).
To change the Sensor Unit sensitivity to match the stove type, follow these instructions.

! **Note:** You can also easily change the settings from the Firechief® Kitchen Stove Guard app. Download the app from AppStore or Google Play.
The following instructions are for changing the settings without using the app.



1. Press and hold the sensor button until you hear two consecutive beeps. Release the button.

The Sensor Unit confirms with a sound and light, and enters Setup Mode.



2. Press and hold the sensor button until you hear two consecutive beeps. Release the button.

The Sensor Unit confirms with a sound and light, and enters Stove Type Configuration Mode.

3. Press the button one, two, or three times to set the Stove Type (see the following table).

The Sensor Unit confirms the selection with the same number of consecutive beeps.

1 press	2 presses	3 presses
Ceramic	Induction	Cast Iron

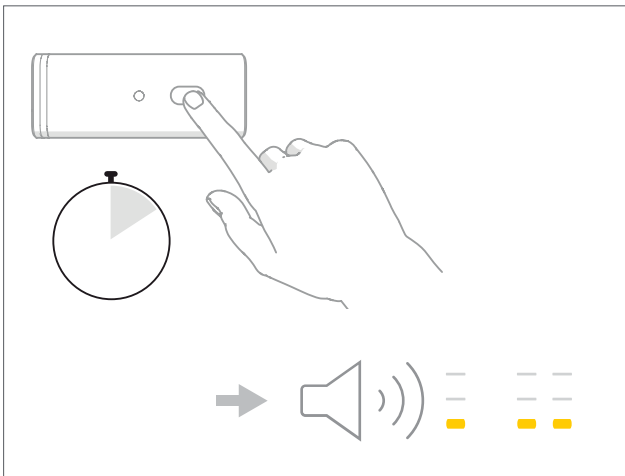
3.10 SELECTING THE WIDE STOVE SETTING

! **Note:** Wide stoves are supported starting from firmware version v1.2.0. You can find out whether your Stove Guard supports wide stoves by checking the product packaging and/or the firmware version on the Sensor Unit or the Control Unit.

To change the Sensor Unit setting to Wide Stove, follow these instructions.

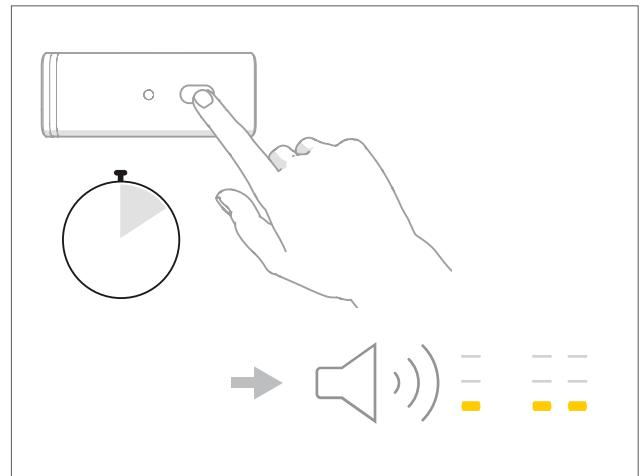
! **Note:** You can also easily change the settings from the Firechief® Kitchen Stove Guard app. Download the app from AppStore or Google Play.

The following instructions are for changing the settings without using the app.



1. Press and hold the sensor button until you hear two consecutive beeps. Release the button.

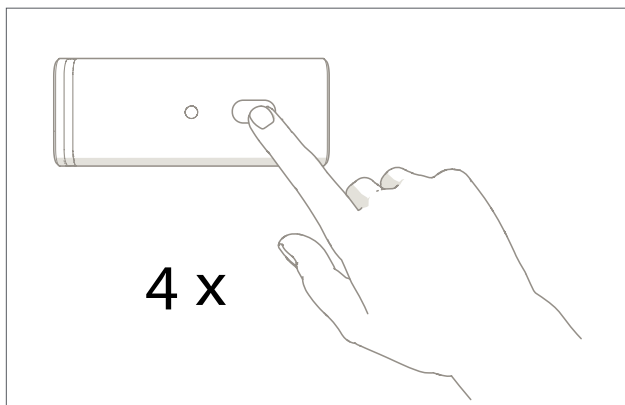
The Sensor Unit confirms with a sound and light, and enters Setup Mode.



2. Press and hold the sensor button until you hear two consecutive beeps. Release the button.

The Sensor Unit confirms with a sound and light, and enters Stove Type Configuration Mode.

! **Note:** The Stove Type Configuration Mode is also used for Selecting the Wide Stove.

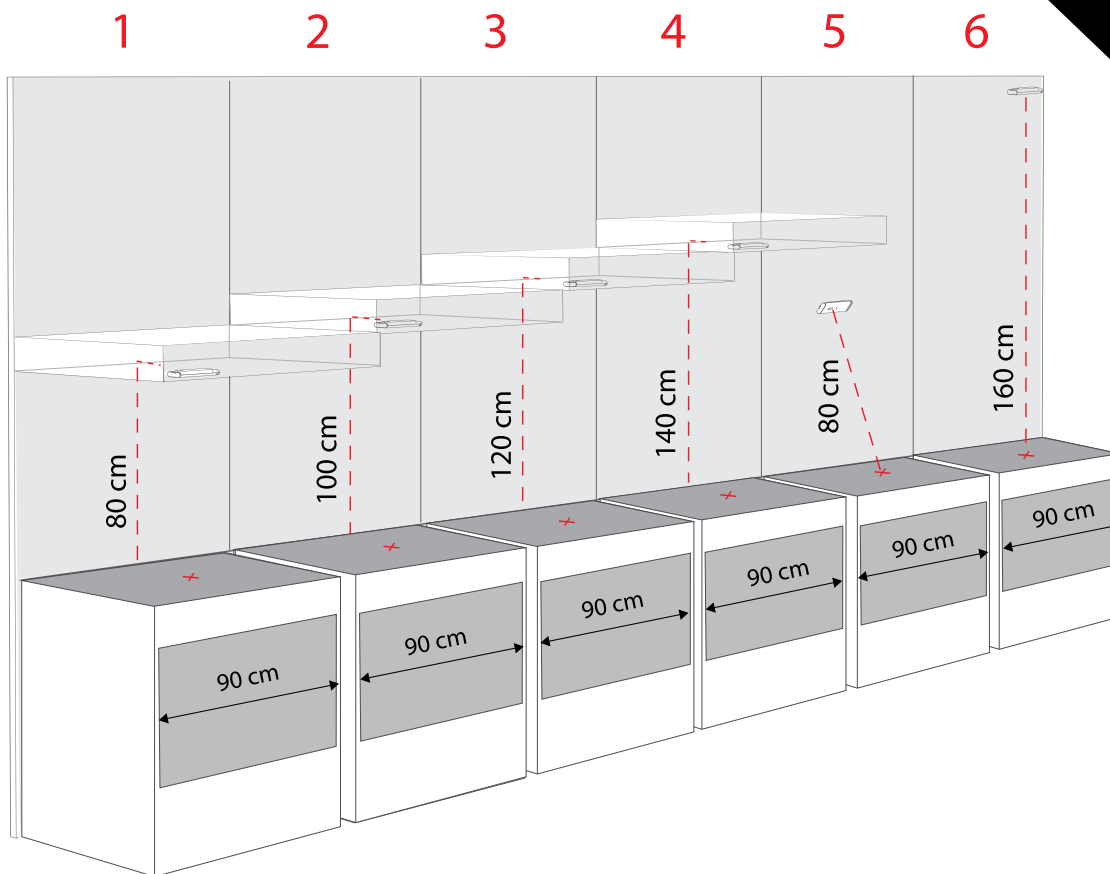


3. Press the button 4 times to select the Wide Stove setting. When Wide Stove is selected, there is no need to select the Stove Type separately, as all the Stove Types are supported automatically.

When the Wide Stove has been selected, the Installation Zone must be set according to the settings table below.

! Note: The height settings are different than with the Normal Stove!

See the following figure for the different Installation Zone settings.



1 press	2 presses	3 presses	4 presses	5 presses	6 presses
Zone 1	Zone 2	Zone 3	Zone 4	Zone 5	Zone 6
(Cooker Hood)	(Cooker Hood)	(Cooker Hood)	(Wall)	(Wall)	(Ceiling)
80 cm	100 cm	120 cm	140 cm	(Induction) 80cm	160 cm

4 FUNCTION TEST

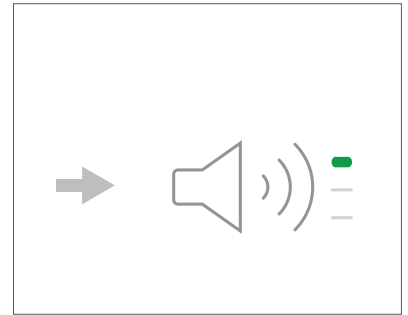
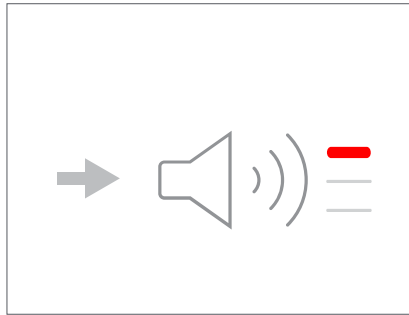
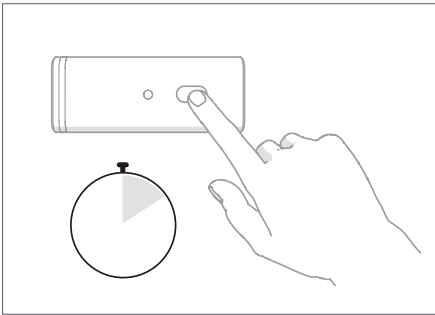


Note: Make sure that all documents are left with the product for future reference.

The installation is completed when both the Sensor Unit and the Control Unit have passed the Function Test.



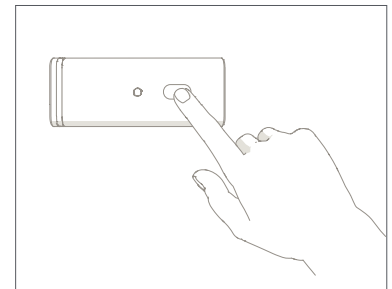
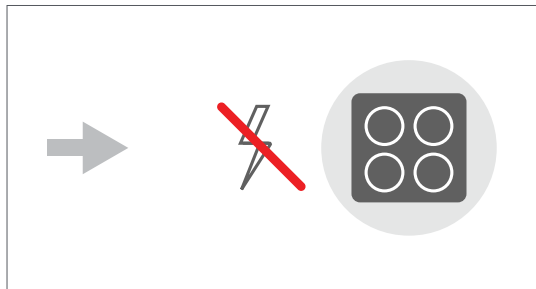
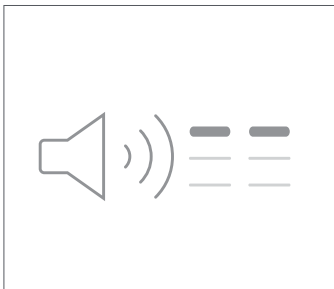
DANGER: Do not switch on the power from the electrical panel before you have made sure that the Sensor Unit and the Control Unit are set and ready for a Function Test.



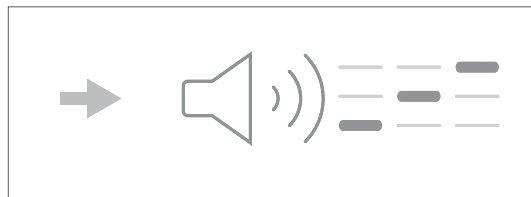
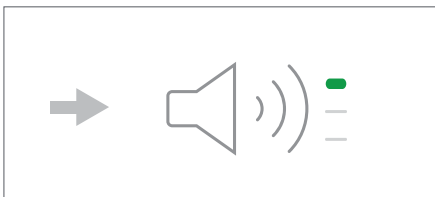
1. Make sure that the stove is powered up.
2. Press and hold the button until you hear a beep and the LED flashes red. Release the button.

The Sensor Unit confirms with a sound.

The Control Unit confirms with a sound and cuts off power to the stove.



3. Make sure that the stove is not powered up and that the hotplates cannot be turned on.
4. To restore power to the stove, press the Sensor Unit button once. The Sensor Unit confirms with a sound.



5. Make sure that the stove can be turned on (or that there is voltage in the Control Unit).



Note: If the Sensor Unit does not respond, or if the stove power is not restored, turn off power to the stove from the electrical panel. After 15 seconds, turn the power back on, wait for 5 seconds and perform the Function Test.



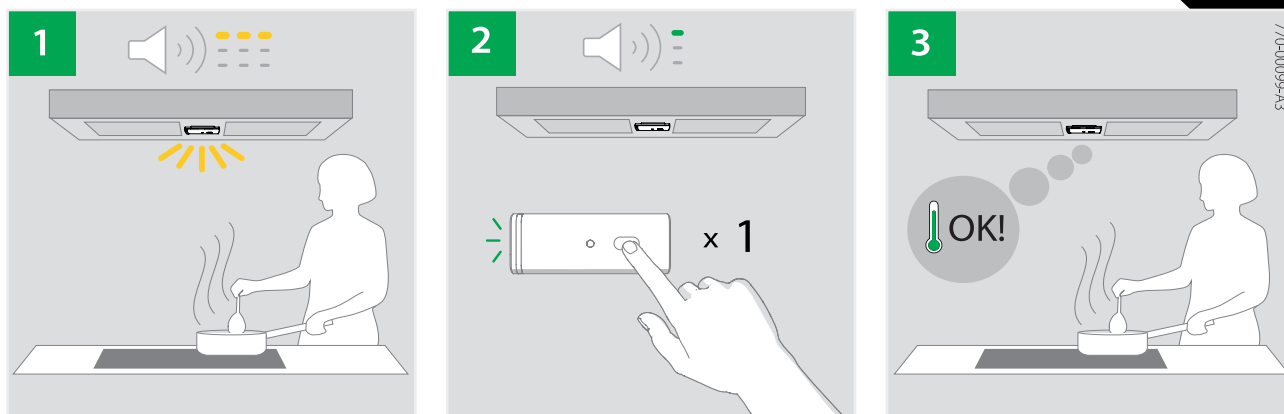
Note: If the Sensor Unit cover is not closed properly, or it is not on its mounting bracket, the Sensor Unit will flash yellow instead of green.

5 USER GUIDE AND MAINTENANCE

5.1 DAILY USE

! **Note:** To avoid nuisance alarms, make sure that the cookware you use covers the entire hotplate.

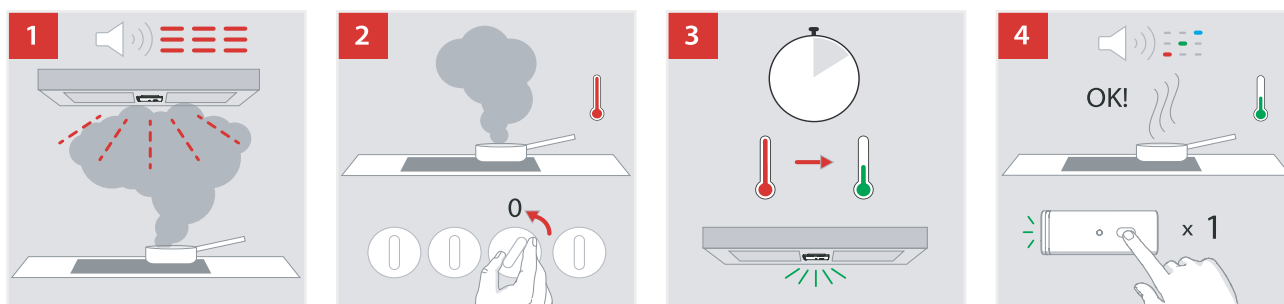
WARNING SITUATION



In warning situations the Sensor Unit will give a short beep and the LED will flash yellow every 5 seconds. Press the Sensor Unit button to reset the warning.

Other user actions, like putting a lid on, stirring the food, or reducing the power will also reset the warning, but with a slight delay.

ALARM SITUATION



When a hazardous situation occurs, the power to the stove is cut off.

The Sensor Unit gives an alarm with a sound and light

To restore power to the stove, wait for the Sensor Unit to confirm the safe temperature with a green light (it may take a minute or more).

- !** **Note:** Power cannot be restored before the Sensor Unit has confirmed the safe temperature with the green light.
- !** **Note:** When the Sensor Unit is mounted on the ceiling, the power is automatically restored after the Sensor Unit flashes green. You do not need to press the Sensor Unit button.
- !** **Note:** If you are using a mechanically controlled stove with knobs, turn the knobs to “0” before restoring power to the stove. This especially applies in the case where the Sensor Unit is mounted on the ceiling.
- !** **Note:** This also applies to the ceiling mounted Sensor Unit.

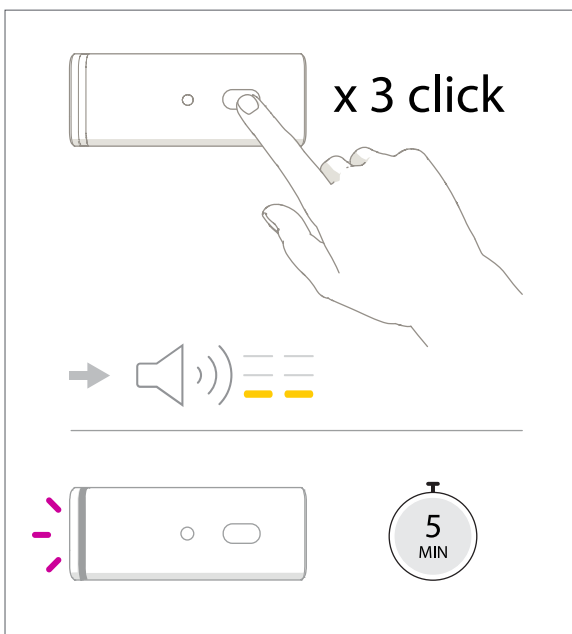
5.2 BYPASS MODE

Note: The Bypass Mode function is available from firmware version v1.2.0. You can find out whether your Stove Guard supports this function by checking the product packaging and/or the firmware version on the Sensor Unit or the Control Unit.

Warning: To prevent accidents, the user **MUST ALWAYS** be present near the stove during bypass mode!

Pressing the sensor button quickly three times (a triple-click) causes the Sensor Unit to enter **temporary deactivation mode**, also referred to as **bypass mode**. In this mode, the Sensor LED will blink purple every 5 seconds.

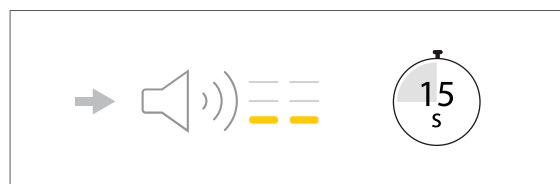
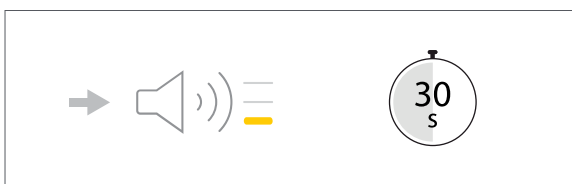
Note: The bypass mode cannot be exited. If the mode is activated, the user will need to wait for 5 minutes for the mode to end.



In bypass mode:

- The Sensor Unit allows special cooking and does not react to extreme heating.
- The mode lasts for 5 minutes and cannot be exited before that.
- Triple-clicking the sensor button again during this time resets the internal timer, starting a new 5-minute period.
- The Sensor Unit exits bypass mode automatically once the timer expires.

Note: During the bypass mode, pressing the sensor button in any other way than 'triple-clicking' will result in function test. The sensor will flash green light and the Control Unit will give out the OK signal.



The Sensor Unit provides advance warnings before exiting the bypass mode:

- One beep at 30 seconds remaining.

- Two beeps at 15 seconds remaining.

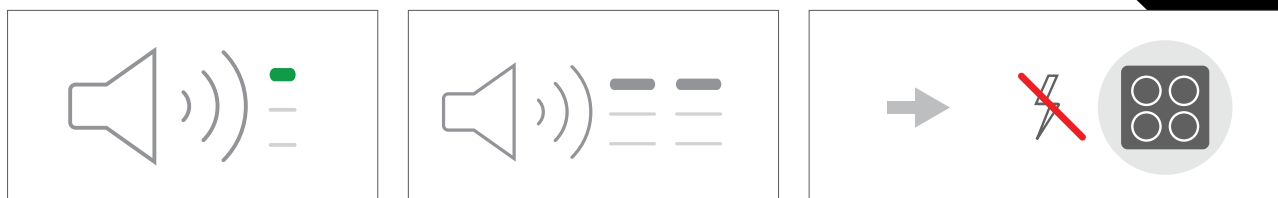
It is possible to extend the duration by triple-clicking again. To extend the duration, press the sensor button again quickly three times (a triple-click). The timer will reset back to 5 min.

Note: After the bypass mode ends, the Sensor Unit resumes normal operation and will immediately respond to high temperatures. If cooking temperatures are still extreme, the Sensor Unit may trigger an alarm and cut power to the stove within seconds. It is recommended to take pre-emptive actions before the bypass mode ends.

5.3 SAFETY LOCK

The Safety Lock is a feature which allows the user to manually disconnect power to the stove to prevent unintentional use (by children or pets).

When activated, the Safety Lock must be manually deactivated before power to the stove can be restored.



To activate:

1. Press and hold the Sensor button until you hear a beep and LED flashes red.
2. Release the button.

The Sensor Unit confirms with sound and light. The Control Unit cuts off the power to the stove and makes the locking sound.



To deactivate:

1. Press the Sensor button once.

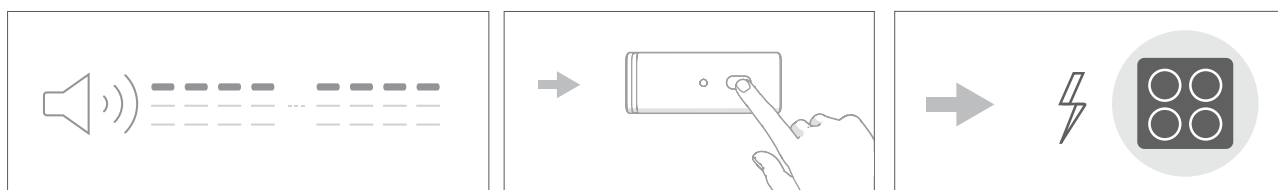
The Sensor Unit confirms with sound and light. The Control Unit restores the power to the stove and makes the OK sound.

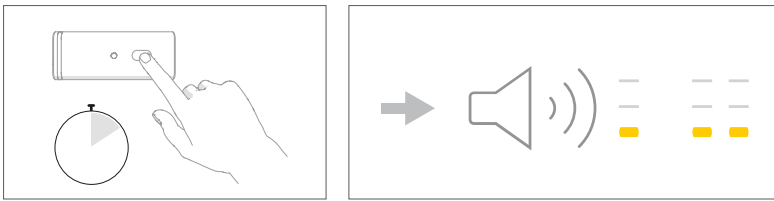
5.4 AUTOMATIC SAFETY TIMER (AST)

The Automatic Safety Timer helps prevent the user from forgetting to turn off the stove after cooking. The default setting for the timer is 24 hours.

! **Note:** This only applies to low heat situations. If the stove is left on at high power and there is a fire hazard, the power will be cut off sooner.

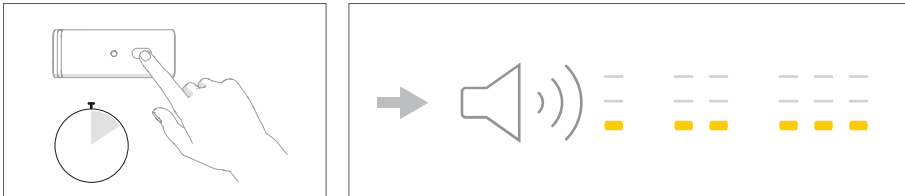
After the set time limit expires, the Control Unit will give a sound indication and cuts off power to the stove. Power to the stove can be restored by pressing the Sensor Unit button once.





To change the timer limit value, follow these instructions.

1. Press and hold the sensor button until you hear two consecutive beeps. Release the button.
The Sensor Unit confirms with a sound and light, and enters Setup Mode.



2. Press and hold the sensor button until you hear three consecutive beeps. Release the button.
The Sensor Unit confirms with a sound and light, and enters AST Configuration Mode.

3. Press the button X times to set the time limit for the AST (see the following table).
The Sensor Unit confirms the selection with the same number of consecutive beeps.

1 press	2 presses	3 presses	4 presses	5 presses	6 presses	7 presses
15 min	30 min	60 min	2 hours	4 hours	6 hours	24 hours

5.5 DISLOCATION DETECTION

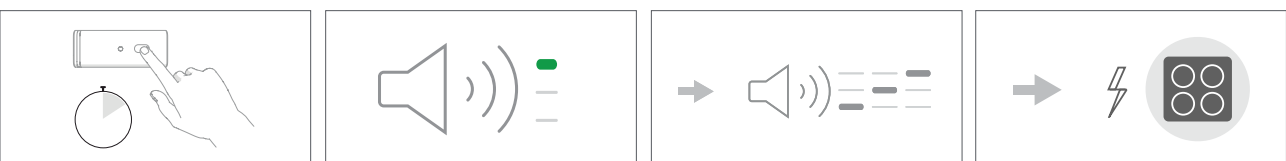
The Sensor Unit can be removed for cleaning but it needs to be re-installed correctly afterwards.

! **Note:** If the Sensor Unit is out of place, or it is incorrectly re-installed, it will indicate the dislocation with a sound and light within 5 minutes. The Sensor Unit cuts off power to the stove and makes an audible locking sound.



If the dislocation detection has been activated, follow these instructions.

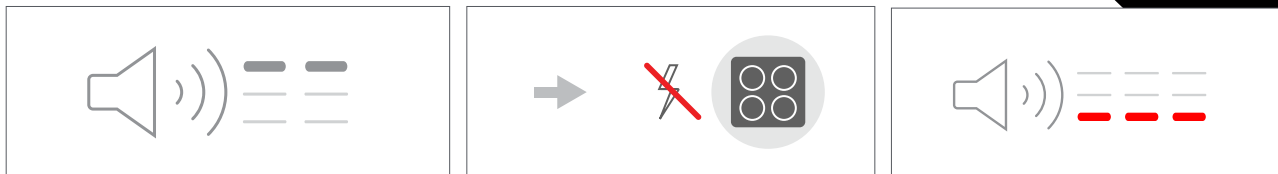
1. Make sure that the Sensor Unit is installed properly.
2. Press the Sensor button once to reset the dislocation alarm.



! **Note:** If the LED flashes yellow instead of green when the button is pressed, make sure that the Sensor Unit cover is closed and that it is properly installed.

5.6 LOW BATTERY DETECTION AND CHANGING THE BATTERIES

When the Sensor Unit battery is running low, the Sensor Unit will indicate a low battery status. The Control Unit will then give a lock indication and cut power to the stove.

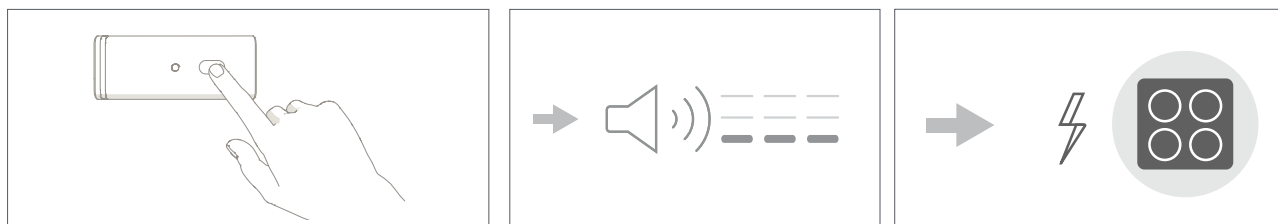


Note: As long as the batteries are not changed, the only way to operate the stove is in Emergency use mode.

EMERGENCY USE MODE

Warning: This function is for emergency use only! If the Sensor Unit batteries are running low, change the batteries as soon as possible.

1. Stove power is off by default in emergency use mode. To use the stove, press the Sensor Unit button to enter the Emergency use mode. The Control Unit emits a sound and restores power to the stove.

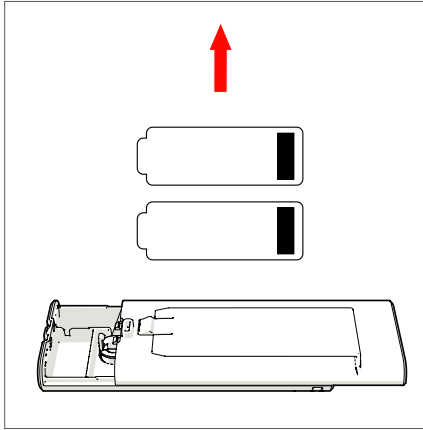
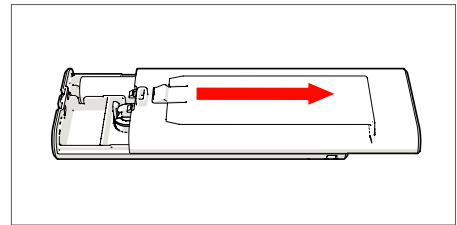


2. The stove can now be used for up to 6 hours.

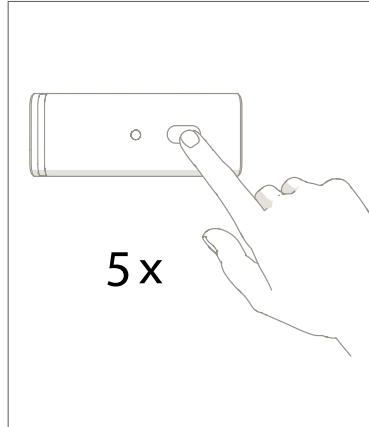
Note: Every time you turn off the stove, the Sensor button must be pressed again to enter the Emergency mode and restore power to the stove.

CHANGING THE BATTERIES

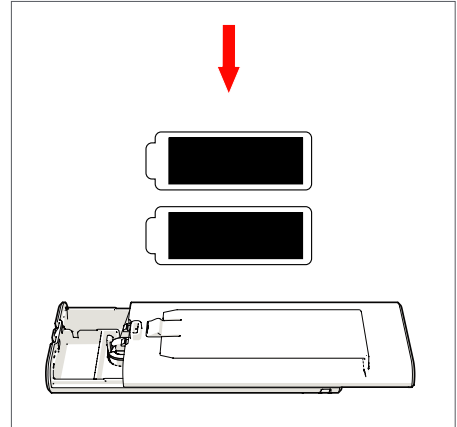
1. Remove the Sensor Unit from the Cooker Hood / Wall Bracket.
2. Open the battery cover by sliding the lid. Slide open the battery cover.



3. Remove the drained batteries.



4. Press the Sensor Unit button 5 times.



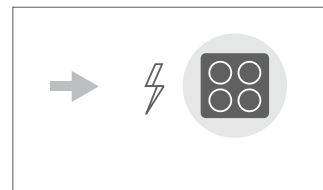
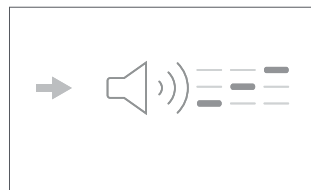
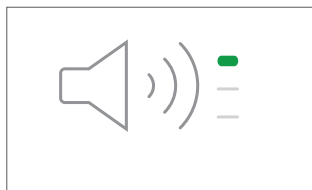
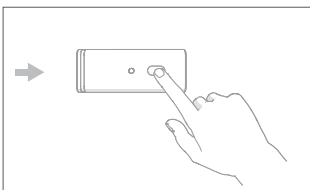
5. Insert new batteries (2 x 1.5V AAA) into the battery compartment according to the polarity markings.

The best way to insert the batteries is to position both ends first, then press from the middle to set them down into place together.



Warning: Risk of explosion! Only use 1.5V AAA batteries. Make sure that the batteries are installed according to the polarity markings in the battery compartment. Do not use old or damaged batteries.

6. Close the Sensor Unit cover fully.
7. Slide the Sensor Unit back onto the Cooker Hood / Wall Bracket.
8. Press the Sensor Unit button once to clear the Emergency use mode.



Note: If the LED flashes yellow instead of green when the button is pressed, make sure that the Sensor Unit cover is closed and that it is properly set back on the Cooker Hood / Wall Bracket.



Note: Dispose of the removed batteries according to local environmental regulations.

5.7 PAIRING NEW DEVICES

! **Note:** You can also easily pair new devices from the Firechief® Kitchen Stove Guard app. Download the app from AppStore or Google Play.

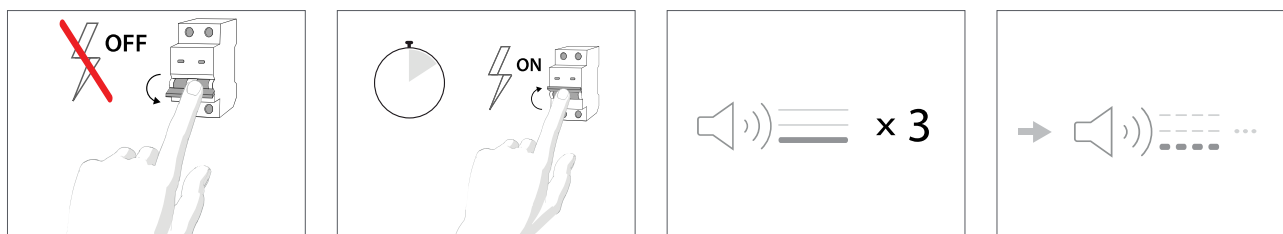
The following instructions are for pairing devices without using the app.

Pairing a new Sensor Unit

1. Prepare the new Sensor Unit and install it on the cooker hood or on the wall mounting bracket.

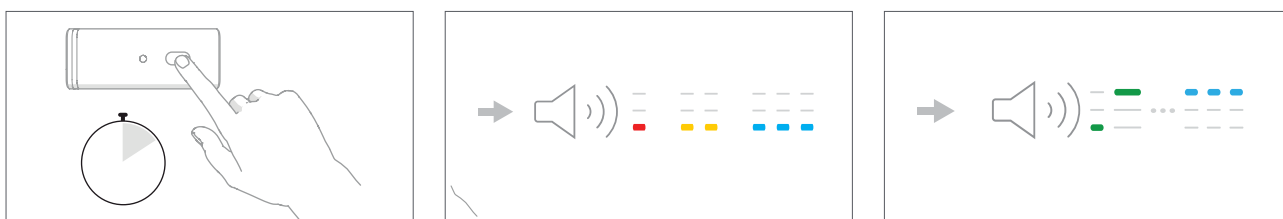
See [Installation of the Sensor Unit](#).

! **Note:** If you have an older style fuse box that does not have automatic fuses, unplug all sensitive electronic devices such as televisions and refrigerators to protect them from voltage spikes.



2. To set the Control Unit into Pairing Mode, turn the stove power OFF from the electrical panel for 2-3 seconds and then turn it ON and repeat this process 3 times.

The Control Unit starts beeping repeatedly and enters Pairing Mode for 3 minutes.



3. To set the Sensor Unit into Pairing mode, press and hold the Sensor Unit button until you hear three consecutive beeps. Release the button. The Sensor Unit enters Pairing Mode.



4. To make sure that the pairing is successful, perform the Function Test. If pairing is successful, both units give the OK signal and the Control Unit connects power to the stove.

Pairing a new Control Unit

1. Install the new Control Unit following the installation instructions.
2. Repeat steps 2. and 3. from Pairing a new Sensor Unit.

5.8 FREQUENTLY ASKED QUESTIONS (FAQ)



Note: This section will be updated as questions are sent to us.

QUESTION	ANSWER
Can I install the Stove Guard myself?	Only authorized electricians are allowed to perform fixed installations. Installing the Plug & Play -version does not necessarily require an electrician. Replacing or installing the Sensor Unit does not require an electrician.
The stove has no power. What could be the cause?	Try pressing the Sensor Button. This solves the situation in most cases. If the stove power is not restored by pressing the Sensor Unit button, see the following. Make sure that the Sensor Unit is on its bracket and in place.
How do I restore power to the stove?	See Restoring Stove Power for more information.
I want to install the Sensor Unit higher on the wall than 60 cm. What do I need to do? How do I change the Installation Zone?	See Changing the Installation Zone on page 15 for more information.
How do I change the Stove Type?	See Changing the Stove Type on page 17 for more information.
What happens if the Sensor Unit is dislocated or incorrectly installed?	See Dislocation detection on page 24 for more information.
How do I pair a new Sensor Unit / Control Unit?	See Pairing a new device for more information.

6 WARRANTY & DISPOSAL

6.1 WARRANTY

IMPORTANT NOTICE: The following conditions describe the terms and scope of the Firechief® Kitchen Stove Guard (FSW1 and FSW1E) manufacturer's warranty. This warranty is provided in addition to, and does not affect, your statutory rights under UK law, including those under the Consumer Rights Act 2015.

GENERAL STATEMENT

Instances of genuine product faults with the Firechief® Kitchen Stove Guard (FSW1 and FSW1E) are extremely rare. Each unit is manufactured under strict quality control procedures, and in many cases where a unit has been returned as "faulty," it has subsequently been confirmed to be fully functional. It is therefore essential that all troubleshooting and verification steps are completed before a unit is returned or replaced. Even minor deviations from the installation or troubleshooting instructions can result in the unit appearing to malfunction.

This manufacturer's warranty applies to Firechief® Kitchen Stove Guard (FSW1 and FSW1E) units supplied through installers, distributors, or other sales channels. It is provided by Firechief® Global to cover the end user against defects in materials or manufacturing workmanship under normal use and service conditions. This warranty is offered in addition to, and does not affect, the consumer's statutory rights under UK law, including those under the Consumer Rights Act 2015.

WARRANTY PERIOD

The warranty period begins on the date the unit is first delivered to the installer, distributor, or end user, whichever occurs first, and lasts for 24 months thereafter.

SCOPE OF WARRANTY

This warranty covers defects in materials or manufacturing workmanship under normal use and service conditions.

It does not cover installation workmanship or issues arising from incorrect installation, configuration, or maintenance.

Where a genuine manufacturing fault is confirmed, Firechief® Global will, at its discretion, repair or replace the defective unit free of charge (FOC).

WARRANTY PROCEDURE

If an issue is suspected with a Firechief® Kitchen Stove Guard (FSW1 and FSW1E):
The installer or end user must first refer to the Troubleshooting Steps and Alarm Indicator Table in the user guide and follow all referenced sections in the installation instructions. These documents are supplied with each unit and are also available digitally on request from Firechief® Global.

If the issue remains unresolved after completing these steps, the customer should contact Firechief® Global by telephone or email (details below) so that our technical support team can confirm that all required checks have been completed.

If the issue cannot be resolved following technical support, the unit should be removed and returned to our head office at:

Firechief® Global
3 Lands End Way
Oakham
Rutland
LE15 6RB

Once received in good condition and showing no signs of damage, misuse, or other conditions excluded under this warranty and a fault has been confirmed, Firechief® Global will either:

Send a free-of-charge replacement unit, or

If a replacement has already been purchased, provide credit for the returned item/s.

INSTALLATION RESPONSIBILITY

This manufacturer's warranty covers only defects in materials or manufacturing workmanship of the Firechief® Kitchen Stove Guard (FSW1 and FSW1E). It does not cover installation workmanship or faults arising from incorrect installation, configuration, or maintenance.

Where a reported issue is identified as installation-related, the installer or reseller remains responsible for resolving it under their own obligations to the end user. Firechief® Global may provide reasonable technical guidance to assist in diagnosing such issues but accepts no liability for the quality or correctness of installation work performed by third parties.

EXCLUSIONS

This warranty does not cover:

Damage or malfunction resulting from incorrect installation, misuse, neglect, or unauthorised modification.

Consumable components subject to normal wear and tear.

Damage caused by electrical faults, impact, or environmental conditions outside the specified operating limits.

Damage caused by exceptional environmental conditions, chemical effects, or use in non-domestic settings outside specification.

LIMITATIONS OF LIABILITY

The liability of Firechief® Global under this warranty is limited to the repair or replacement of defective products in accordance with the procedure described above, and is limited to the value of a replacement product. Firechief® Global accepts no responsibility for any consequential loss, damage, or costs arising from the use or failure of the product, except where such limitation is not permitted by law.

Nothing in this warranty limits or excludes liability for:

Death or personal injury caused by negligence.

Fraud or fraudulent misrepresentation.

Any other matter for which it would be illegal for us to exclude or attempt to exclude our liability.

Firechief® Global shall not be liable for delays in performing warranty obligations caused by circumstances beyond its reasonable control.

This manufacturer's warranty is offered in addition to, and does not affect, any statutory rights that may apply under UK law.

TERRITORIAL SCOPE

This warranty applies to products purchased and installed within the United Kingdom and the Republic of Ireland. If a unit is installed outside these regions, service or replacement may be subject to local availability and differing regional terms.

CONTACT INFORMATION

Firechief® Global

3 Lands End Way

Oakham

Rutland

LE15 6RB

Telephone: +44 (0)330 999 0019

Email: sales@firechiefglobal.com

Website: www.firechiefglobal.com

6.2 DISPOSAL

Remove batteries before disposing of the Sensor unit. Dispose of the used batteries in accordance with local environmental directives.

More information about disposal of electrical and electronic waste (private households) can be found from the EU Directive 2012/19/EC on recycling of waste electrical and electronic equipment (WEEE).



This symbol on the Stove Guard and associated documents means that this product should not be disposed of with normal household waste. For proper handling and recycling, this product must be delivered to a separate collection point where it will be accepted free of charge. The product can be returned to your local retailer when purchasing a corresponding new product.

Proper disposal of this product helps to save valuable resources and prevent potentially harmful effects on human health and on the environment, which may otherwise occur in the event of improper handling of waste.

