

- NO INSTALLATION
- PORTABLE DEVICE
- LISTEN AND LEARN TECHNOLOGY
- FLASHING RED LED VISUAL WARNING
- BUILT IN CLOCK WITH WAKE-UP ALARM
- VISUAL LOW BATTERY WARNING
- COMPLIANT WITH EQUALITY ACT 2010
- STYLISH BEDSIDE DESIGN

listens & vibrates



The Agrippa pillow alarm is a battery powered, wire-free unit with a pad attachment that simply goes under a pillow. It uses digital wire-free technology that listens and learns the unique sound of a specific fire alarm.

If the fire alarm sounds, the pillow pad vibrates, high intensity LED lights flash and an LCD screen displays 'fire'. As it's compact and portable it can be moved around a building as required.

The Agrippa pillow alarm is the convenient solution to cater for the safety of the deaf or hard of hearing as required by the Equality Act.

Ideally suited to environments such as hotels and hospitals where it is essential to alert the deaf or hard of hearing when a fire alarm is sounding.

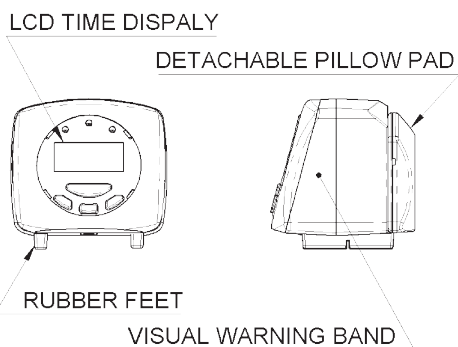
The pillow alarm is part of the Agrippa suite of products, which also includes an acoustically triggered fire door closer and holder.

### TECHNICAL INFORMATION

|                   |                            |
|-------------------|----------------------------|
| Battery type      | 4 x AA batteries           |
| Default setting   | 70dB - 75dB, 1.2 - 3.0 kHz |
| Preferred sounder | Continuous tone *          |
| Dimensions        | L-120 x W-120 x D-90       |
| Standard finish   | White                      |
| Part number       | 3-80-0045                  |
| Weight            | 380g                       |

\* Not suitable for voice alarm systems

UK Patent GB 2507582



Geofire reserve the right to change the specifications in this data sheet without prior notification