

A close-up photograph of a DORMA TS90 IMPULSE door closer. The device is a long, cylindrical metal component with a dark grey finish. It has a mounting bracket at one end and a cam action mechanism at the other. The text "DORMA TS90 IMPULSE" is embossed on the side of the device. The background is a plain, light-colored surface.

TS90 IMPULSE

Cam action door closer

High-tech for the global market

The DORMA TS 90 Impulse combines technical superiority with outstanding value, and unites advanced design with convenient functionality – all on the basis of its heart-shaped cam.

With its installation versatility and inherent functional reliability, it is ideal for virtually any application. DORMA TS 90 Impulse:

Certified to ISO 9001

Benefits

For the trade

- Unique DORMA cam action technology for the entry-level segment, compliant with EN 1154.
- Complete package for easy stocking.
- Sets new standards to open up new markets.

For the installer/fabricator

- Easy to fix without mounting backplate.
- Non-handed.
- Four installation arrangements with one model.
- Proven DORMA quality for long service life.

For the architect/specifier

- Proven technology of the heart-shaped cam.
- Cost-efficient slide channel door closer for interior doors.

For the user

- Convenient, low-resistance opening with fully controlled closing.
- Two regulating valves for precise adjustment of closing speed.
- Available with hold-open and cushioned limit stay options.

Data and features		TS 90 Impulse
Closing force	Size	EN 3
Standard doors ¹⁾	≤ 950 mm	●
External doors, outward opening ¹⁾		–
Fire and smoke check doors		●
Non-handed		●
Arm assembly	Slide channel	●
Two independent valves for closing speed adjustment	160° – 15° 15° – 0°	●
Cushioned limit stay (mechanical)		○
Delayed action		–
Hold-open		○
Weight in kg		1.7
Dimensions in mm	Length	246
	Overall depth	46
	Height	57
Door closer compliant with EN 1154		●
CE mark for construction products		●

● yes – no ○ option

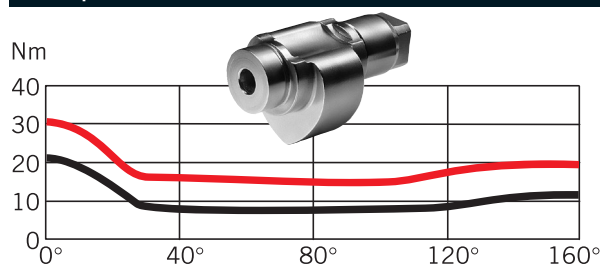
¹⁾ In the case of particularly heavy doors and doors that have to close against wind pressure, we recommend the DORMA TS 93.



The DORMA TS 90 Impulse is CERTIFIRE approved (Certificate No. CF 119) for door types ITT 120.



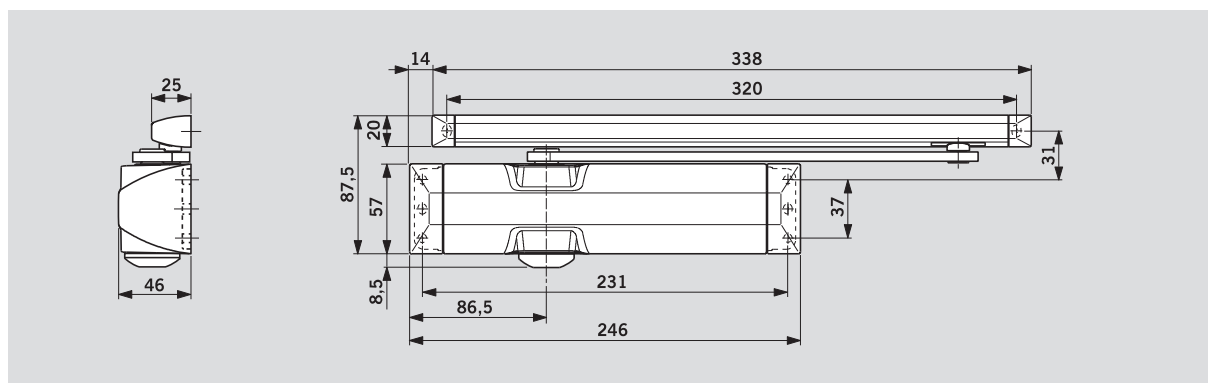
Force profiles



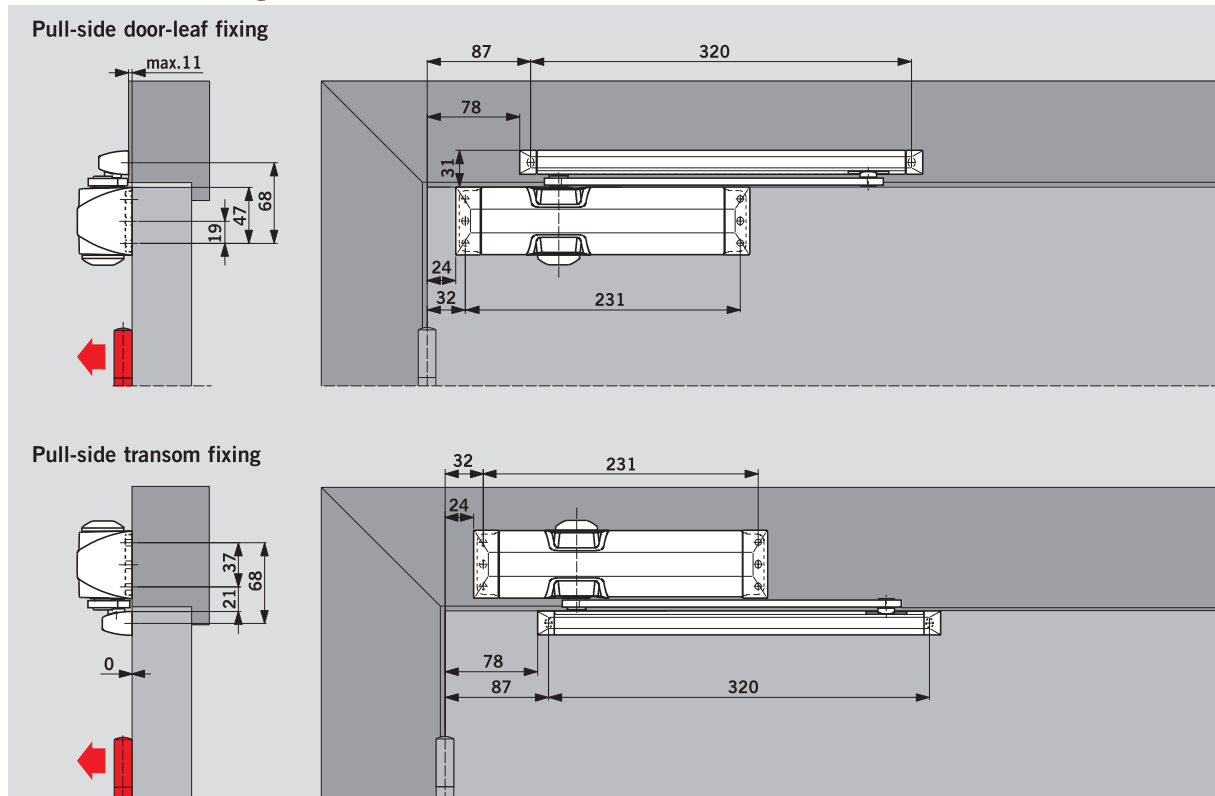
The heart-shaped cam and the linear drive mechanism of the DORMA TS 90 Impulse ensure that the resistance encountered decreases almost instantly with the door opening action – so even children, the elderly and people with disabilities have no problem in opening the door.

User-friendly and reliable closing is also ensured by the delayed increase in the actuating torque at the “latching” end of the sweep.

■ Opening force
■ Closing force

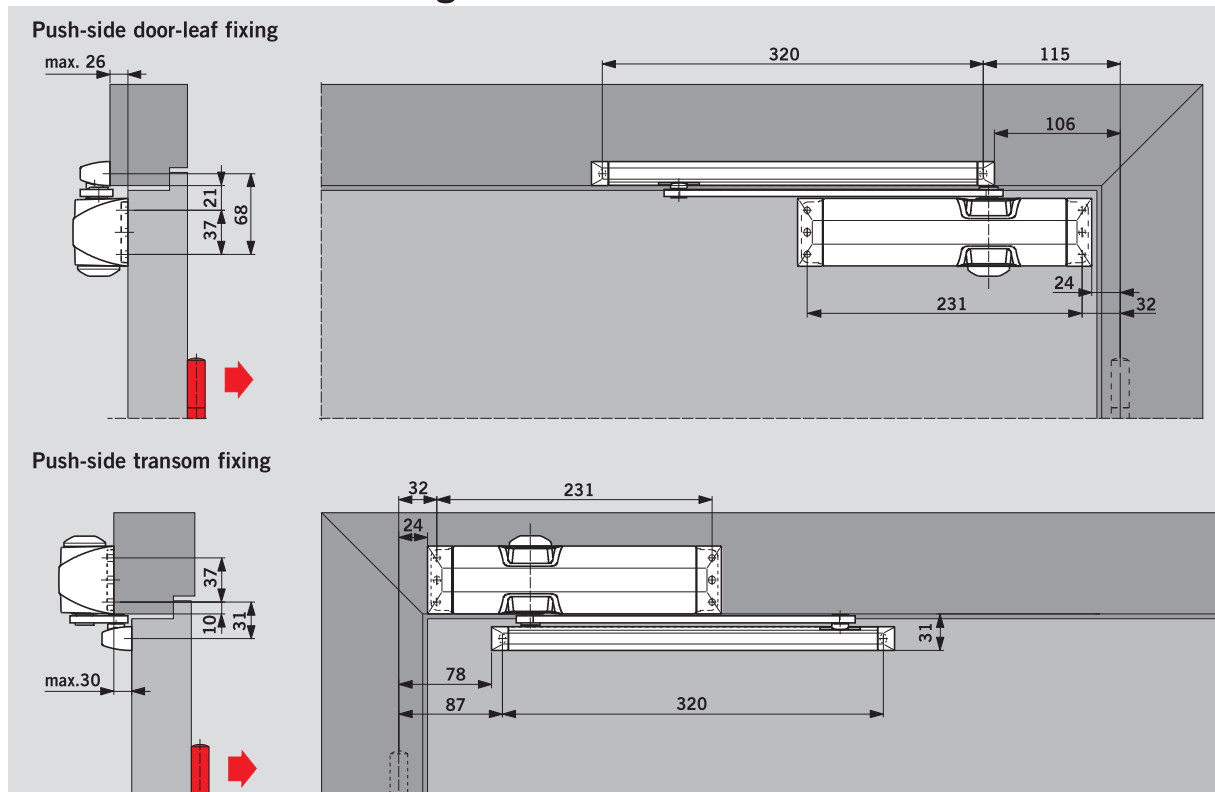


Pull-side fixing (example: LH/ISO 6 door; mirror image for RH/ISO 5 door)



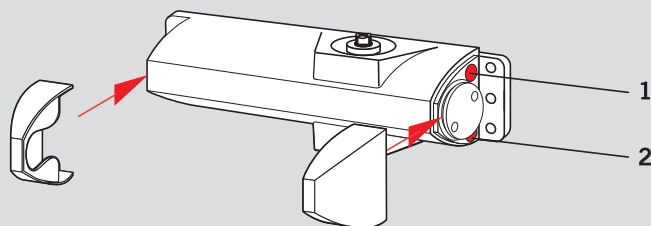
Closing action available from approx. 160°. It is recommended to install the cushioned limit stay or position a door stop at this point. **A door stop must be installed in the case of fire and smoke check doors.**

Push-side door-leaf fixing (example: LH/ISO 6 door; mirror image for RH/ISO 5 door)



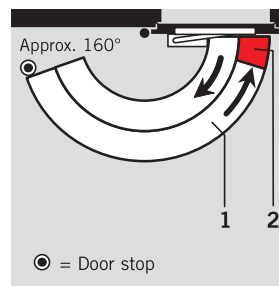
Depending on the structural conditions, the door opening angle is likely to be limited to approx. 95°. It is recommended to install the cushioned limit stay or position a door stop at this point. As the door opening is limited to 95° the TS90 is not CE marked on the push side of the door. BS EN1154 requires minimum closing from from 105°.

Standard and optional functions



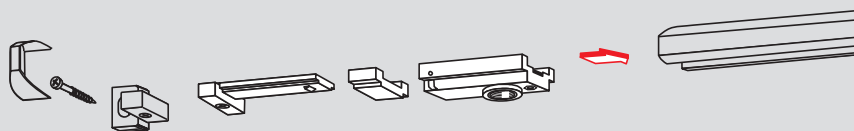
The **closing speed** of the DORMA TS 90 Impulse is adjustable in two independent ranges at the valves indicated.

With the DORMA TS 90 Impulse, the **closing force** is permanently set at EN 3.



- 1 Infinitely variable closing speed in the range 160° – 15°
- 2 Infinitely variable closing speed in the range 15° – 0°

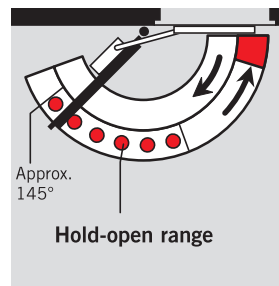
Mechanical hold-open device



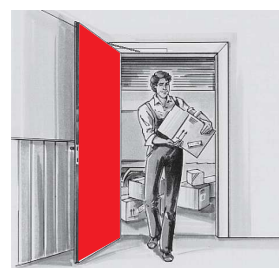
The hold-open device enables doors to be precisely held without any fall-back up to an opening angle of approx. 145°.

The hold-open device is suitable for both LH and RH doors and is designed for retrofitting to the slide channel.

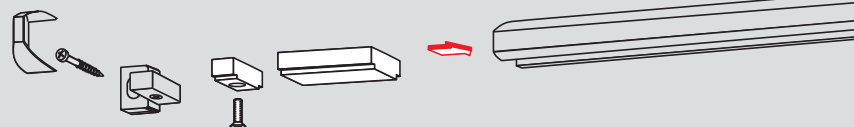
Not for fire and smoke doors.



Approx. 145°
Hold-open range



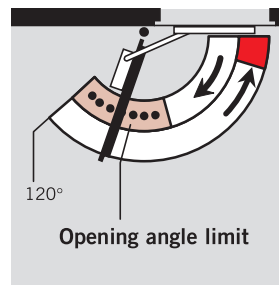
Cushioned limit stay



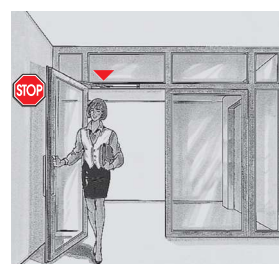
Cushioned limit stay for retrofitting by insertion in the slide channel. Adjustable between 80° and max. 120°.

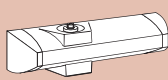


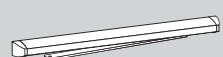

Use of the cushioned limit stay helps to prevent a normally opened door from colliding with adjacent walls.

The cushioned limit stay is not an overload protection device and in many cases is no substitute for a door stop.



120°
Opening angle limit



Standard equipment and accessories			
	TS 90 Impulse cam-action door closer  Size EN 3	Cushioned limit stay  10002000	Mechanical hold-open device  10002100
Slide channel  102002xx		#	#

Order No.:	Colour	xx
■ = Closer body with arm, complete	Silver	01
# = Accessory	White (sim. to RAL 9016)	11
	Special colour	09

Specification text

Universal cam-action door closer with linear drive and rapidly decreasing opening torque; closing speed adjustable in two independent ranges.

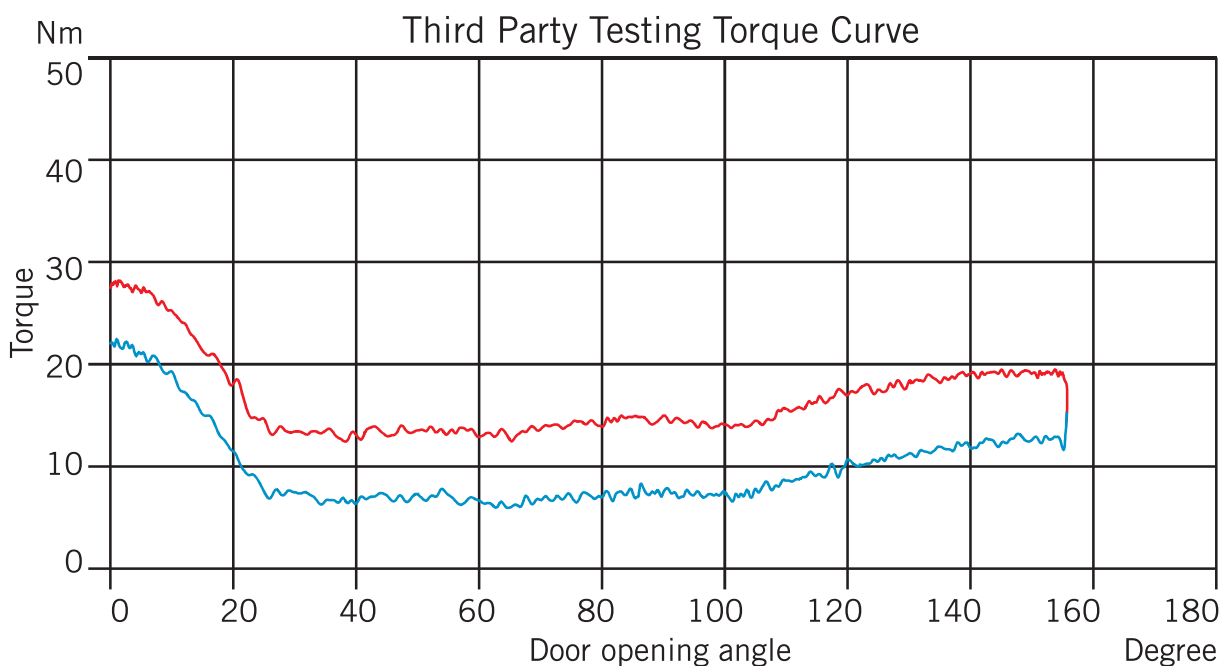
Closing force = Size EN 3.
Non-handed.
Compliant with EN 1154.

Accessories
 Hold-open device
 Cushioned limit stay

Colour
 Silver
 White (sim. to RAL 9016)
 Special colour _____ (sim. to RAL ____)

Make
DORMA TS 90 Impulse

Torque curve



The DORMA cam action range can help doorsets meet the opening force requirements of BS8300 and Approved Documents M on a range of door widths. Third Party

Accredited Certificates can be provided to demonstrate these low opening forces and are available on our website. Ask for our Which Door Control? Brochure.



DORMA UK Limited
Wilbury Way
Hitchin
Hertfordshire
SG4 0AB

Tel: 01462 477600
Fax: 01462 477601
E-mail: hardware@dorma-uk.co.uk
www.dorma-uk.co.uk

DORMA Ireland Limited
PO Box 1050
Maynooth
Co. Kildare

Tel: 01 295 8280
Fax: 01 295 8284
E-mail: dormadublin@dorma.ie
www.dorma.ie