

TS83

—



Easy action
door closer

THE MULTI-FUNCTION, MULTI-PURPOSE DOOR CLOSER

Outstanding versatility. Quality assured.

Tested to EN 1154.
Decades of experience have gone into the development of the DORMA TS 83. The result is user comfort coupled with outstanding versatility. It can be adjusted to suit almost all types

of door. Additional anti-corrosion protection for exposed or aggressive conditions is available to special order. Fixing couldn't be easier and last but not least – it's engineered for excellence. Certified to ISO 9001.

PLUS POINTS ...

... for the trade

- Streamlined product range means low inventory costs and reduced stocking requirement.
- Comprehensive choice of accessories provides practical and effective solutions to meet special applications.

... for the specifier/architect

- Compact closer design and sturdy flat-form arm assembly.
- Wide range of standard functions supplemented by optional extras.
- Suitable for fire doors. (CERTIFIRE approved Ref. CF 118)

... for the installer

- Easy to fix.
- Can be "tailored" to the requirements of the door by simple adjustment.
- Just one model for RH (ISO 5) and LH (ISO 6) doors and for standard and frame/lintel fixing and parallel arm.
- Spring strength range EN 2–5/EN 3-6 to suit virtually every application.

... for the user

- Optimum wall and door protection thanks to "thinking" backcheck.
- Closing speed virtually unaffected by temperature fluctuations.
- High mechanical efficiency gives easy-action opening.

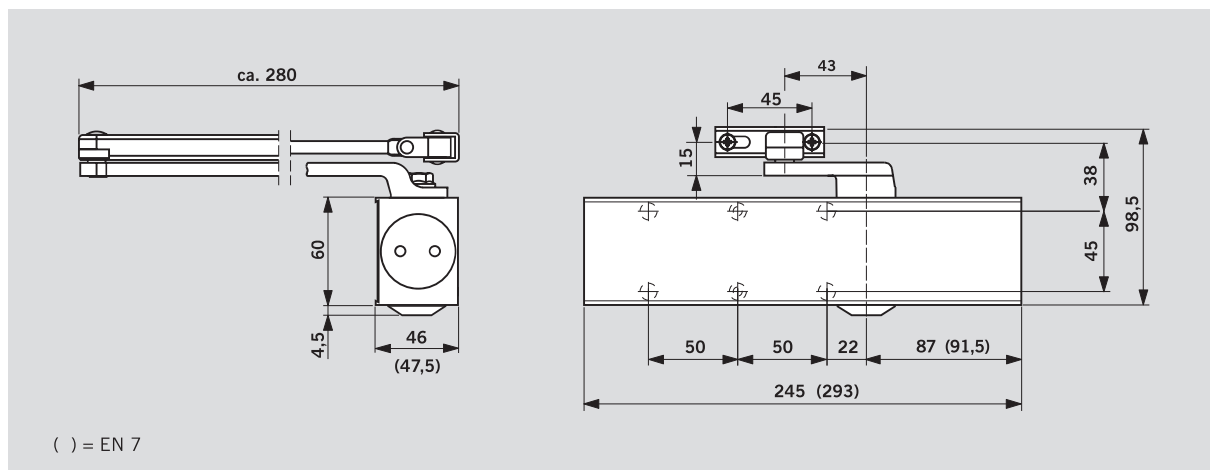
Data and features		TS 83		
Variable closing force	Spring strength	EN 2–5	EN 3–6	EN 7
Standard doors ¹⁾	≤ 1250 mm	●	–	–
	≤ 1400 mm	–	●	–
	≤ 1600 mm	–	–	●
External doors, outward opening ¹⁾	≤ 1250 mm	●	–	–
	≤ 1400 mm	–	●	–
	≤ 1600 mm	–	–	●
Fire and smoke check doors ¹⁾	≤ 1250 mm	●	–	–
	≤ 1400 mm	–	●	–
	≤ 1600 mm	–	–	●
Non-handed		●	●	●
Arm assembly type	Standard	●	●	●
Closing force variable by means of adjustment screw		●	●	–
Closing speed adjustable at 2 separate valves	180° - 15°	●	●	–
	15° - 0°	●	●	–
Closing speed variable by means of valve adjustment		–	–	●
Adjustable latching action	by arm	●	●	●
Backcheck	self-regulating	●	●	●
	adjustable at valve	●	●	●
Delayed action variable at valve		○	○	–
Anti-corrosive model		–	○	–
Hold-open		○	○	○
Weight in kg		1.7	1.7	3.3
Dimensions in mm	Length	245	245	293
	Overall depth	46	46	47.5
	Height	60	60	60
Door closer tested to EN 1154		●	●	●
CE mark for construction products		●	●	●

● yes – no ○ option

¹⁾ For applications involving particularly heavy or wide doors, and doors which have to close against wind resistance, the next highest closer size or a higher spring strength should be applied.

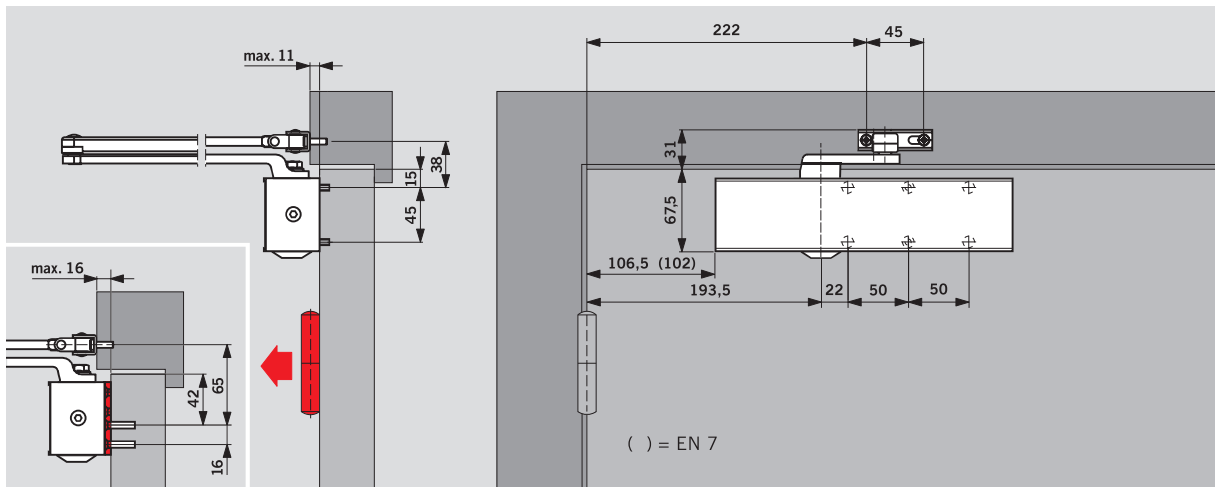


The TS 83 complies with the requirements and/or recommendations of the following: CERTIFIRE approved for fire doors ITT 120; MM/IMM 240; Ref. CF 118

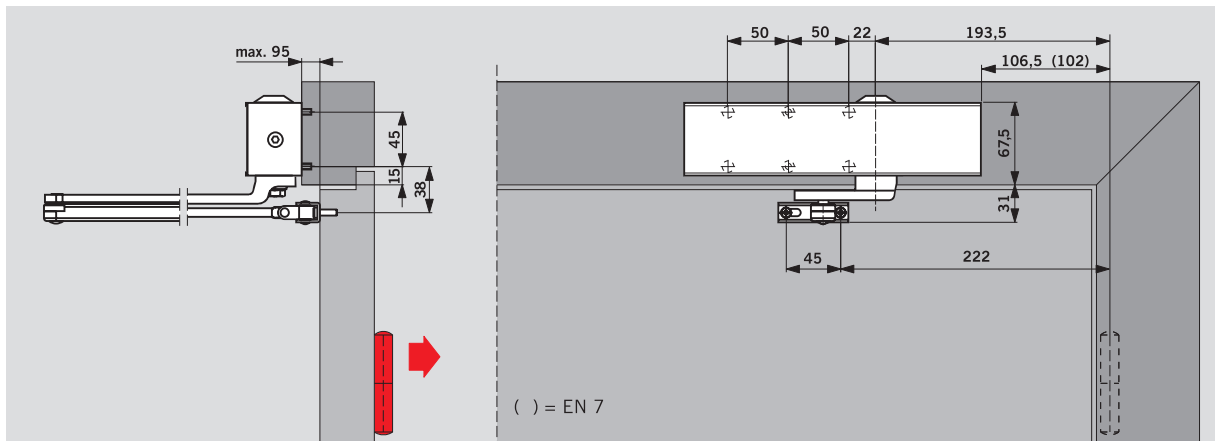


() = EN 7

DOOR LEAF FIXING, PULL SIDE (example shows LH (ISO 6) door; RH (ISO 5) doors mirrored arrangement)



TRANSOM FIXING, PUSH SIDE (example shows LH (ISO 6) door; RH (ISO 5) doors mirrored arrangement)



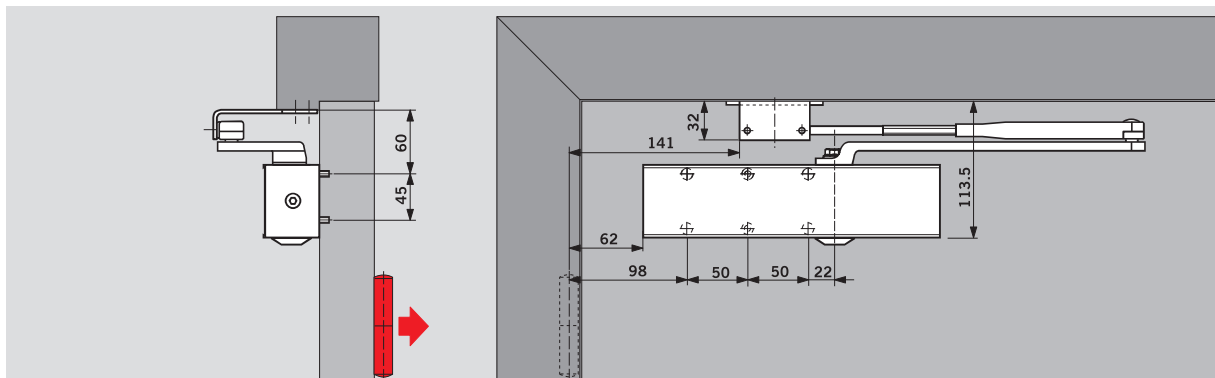
With transom-fixed closers, the backcheck comes in later at between 85° and

90°, depending on the door thickness and projection of the hinge used; the delayed

action, on the other hand, releases the door at an earlier point in its closing sweep.

DOOR LEAF FIXING, PUSH SIDE (parallel arm installation)

(example shows LH (ISO 6) door; RH (ISO 5) doors mirrored arrangement)

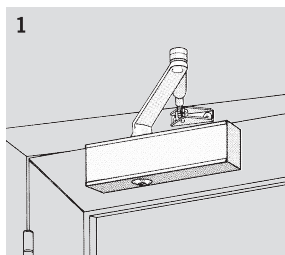


With parallel arm application, the backcheck comes in later at between 85° and 90°, depending on the door thickness and projection of

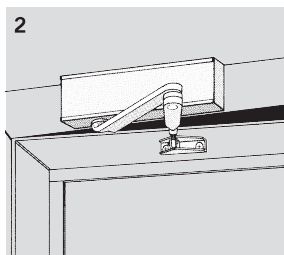
the hinge used; the delayed action, on the other hand, releases the door at an earlier point in its closing sweep.

Technical details

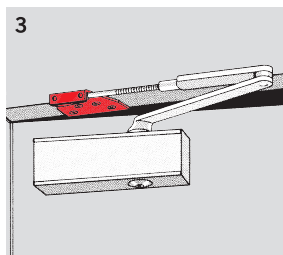
installation	interior door widths up to	closer size	interior door widths up to	closer size
standard/frame	1250 mm	2 – 5	1400 mm	3 – 6
parallel arm	1100 mm	2 – 4	1250 mm	2 – 5



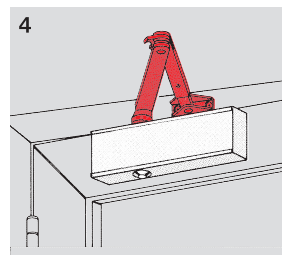
Standard installation



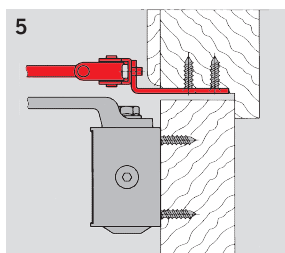
Frame installation



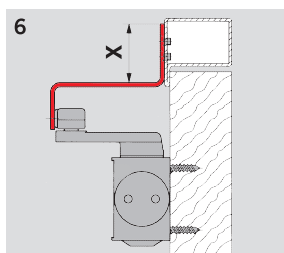
Parallel arm installation
(The above bracket is supplied with every TS 83 standard door closer.)



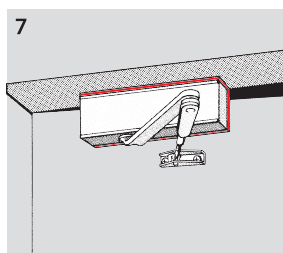
Hold-open arm installation
Adjustable for hold-open up to 150°. Can be switched off to act as a standard arm.



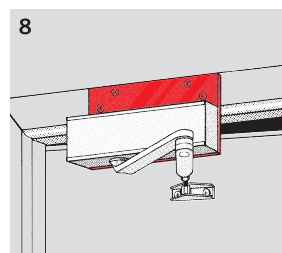
Soffit bracket and arm for standard installation with shaped architrave



Parallel arm bracket with upstand
(*upstand 35 or 60 mm)



Angle bracket installation
Frame installation for outward opening doors with extra deep reveals.



Drop plate installation
For installation on frame (or door) when direct fixing of closer is not possible.

Specification text TS 83 EN 2-5

DORMA TS 83 rack and pinion door closer; with adjustable power size EN 2 - 5, according to EN 1154, carries the CE mark, integral self-regulating backcheck; closing speed adjustable in two independent ranges and adjustable latch action. Non-handed.

- Model**
- with additional, adjustable delayed action
 - with standard arm
 - with hold-open arm with switch

Accessories

- Colour**
- silver
 - white (sim. RAL 9016)
 - other
 - (sim. RAL _____)

Make: DORMA TS 83
 TS83

Specification text TS 83 EN 3-6

DORMA TS 83 rack and pinion door closer; with adjustable power size EN 3 - 6, according to EN 1154, carries the CE mark, integral self-regulating backcheck; closing speed adjustable in two independent ranges and adjustable latch action. Non-handed.

- Model**
- with additional, adjustable delayed action
 - with standard arm
 - with hold-open arm with switch

Accessories

- Colour**
- silver
 - white (sim. RAL 9016)
 - other
 - (sim. RAL _____)

Make: DORMA TS 83
 TS83

Specification text TS 83 EN 7

DORMA TS 83 rack and pinion door closer; with power size EN 7, according to EN 1154, carries the CE mark, integral self-regulating backcheck; adjustable closing speed and adjustable latch range. Non-handed.

- Model**
- with standard arm
 - with hold-open arm with switch

- Accessories Colour**
- silver
 - white (sim. RAL 9016)
 - other
 - (sim. RAL _____)

Model make DORMA TS 83
 TS83

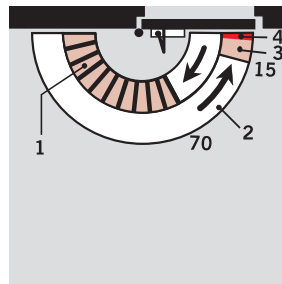
STANDARD FUNCTIONS

WITH “THINKING” BACKCHECK – MODEL BC/ÖD

Thanks to an innovative design concept, the resistance developed by this backcheck system is directly proportional to door acceleration as the door is opened beyond approx. 70°. It is almost imperceptible when the door is opened slowly. However, if the door is opened roughly, the backcheck responds in equal measure.

And if the door should be flung open at speed – whether deliberately, thoughtlessly, accidentally or as a result of a gust of wind – the backcheck reacts at full strength, protecting the wall and door from damage.

If no backcheck function is required, the system can simply be switched off.

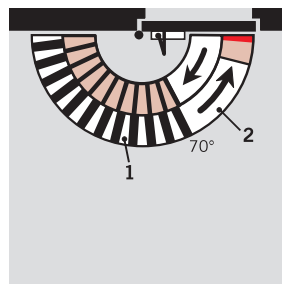
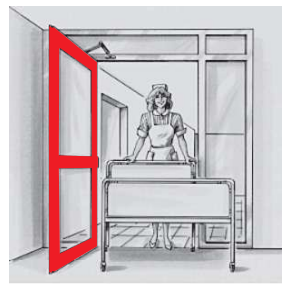


- 1 Self-regulating backcheck
- 2 Infinitely variable closing speed in the range 180° – 15°
- 3 Infinitely variable closing speed in the range 15° – 0°
- 4 Adjustable latch range (by arm)

WITH ADDITIONAL DELAYED ACTION – MODEL BC/ÖD + DC/SV

This model with its additional, integrated delayed action enables the closing cycle to be retarded within an adjustable range from 180° – 70° so that disabled

persons, mothers with prams and people carrying bulky items are able to pass through the door without difficulty.

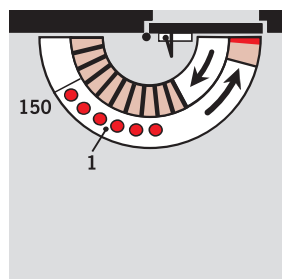


- 1 Adjustable delayed action
- 2 Fully controlled closing with adjustable speed

WITH OPTIONAL HOLD-OPEN ARM

Combining the TS 83 with a hold-open arm enables the door to be held open at an appropriate angle (up to approx. 150°).

The hold-open function of the standard hold-open arm can be switched on and off by the user by simply pressing a switch.



- 1 Hold-open range

Hold-open arms are not permitted on fire doors



DORMA UK Limited
Wilbury Way
Hitchin
Hertfordshire
SG4 0AB

Tel: 01462 477600
Fax: 01462 477601
E-mail: hardware@dorma-uk.co.uk
www.dorma-uk.co.uk

DORMA Ireland Limited
PO Box 1050
Maynooth
Co. Kildare

Tel: 01 295 8280
Fax: 01 295 8284
E-mail: dormadublin@dorma.ie
www.dorma.ie