



Door Closer

# DORMA TS 68

## The ideal low-cost solution for standard doors

With the TS 68, DORMA has developed a low-cost door closer which can be universally used on all common door types. It is particularly quick and easy to install – and does not require a mounting backplate.

The closer arm's power shoe and changes in templating allow easy selection of the closing force to suit various door sizes.



### Plus points

#### For the trade

- The low cost solution for standard doors.
- Just one model for all mounting positions.

#### For the installer

- Non-handed unit.
- Quick and easy to install.
- Fixes perfectly to all door types without the need for a mounting backplate.

#### For the specifier/architect

- Compact design.
- Inexpensive, proven reliability.

#### For the user

- Closing cycle largely unaffected by temperature changes.
- Two valves for optimum closing speed and reliable latching action.

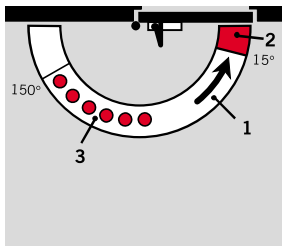
### Data and features

### TS 68

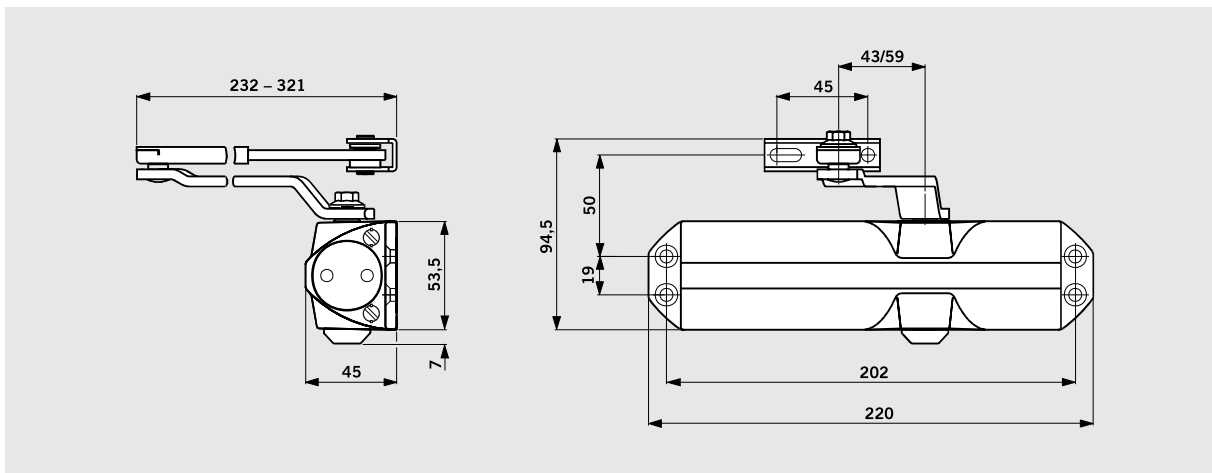
Selectable closing force (variable via arm power shoe and templating)	Size	EN 2/3/4
Door width	≤ 1100 mm	●
External doors, outward opening		–
Non-handed		●
Arm	Slimline	●
	Slide channel	–
Closing speed adjustable via 2 independent valves	180° – 15°	●
	15° – 0°	
Backcheck		–
Delayed action		–
Hold-open		○
Weight in kg		1.4
Dimensions in mm	Length	220
	Overall depth	45
	Height	53.5

● Yes – no ○ option

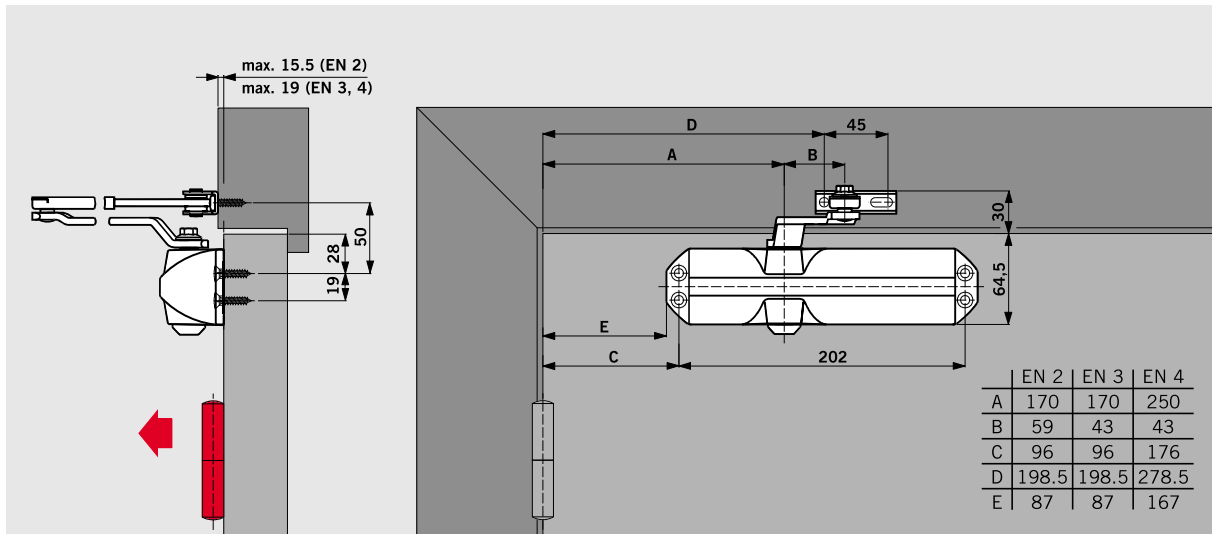
### Standard and optional functions



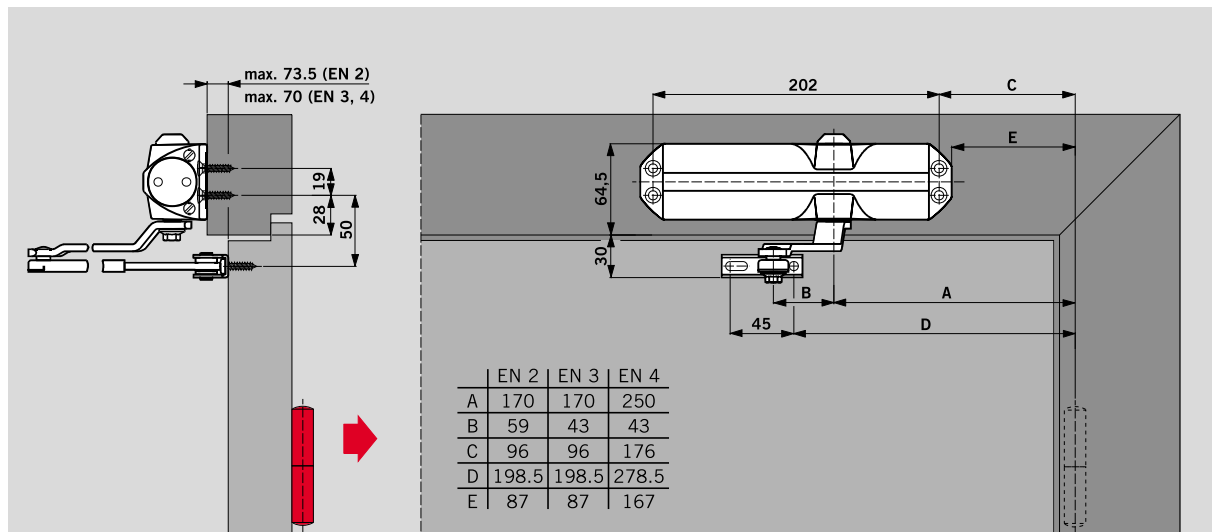
- 1 Adjustable closing speed in the range 180° – 15°.
- 2 Adjustable closing speed in the range 15° – 0°.
- 3 Hold-open range with hold-open arm model (optional extra).



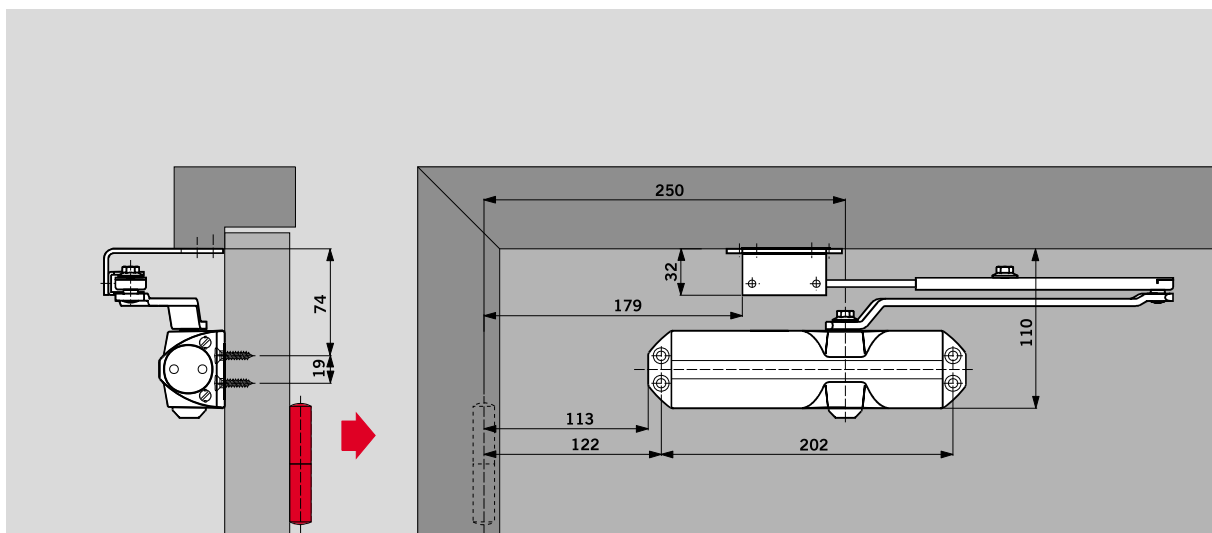
### Door-leaf fixing, pull side



### Frame fixing, push side



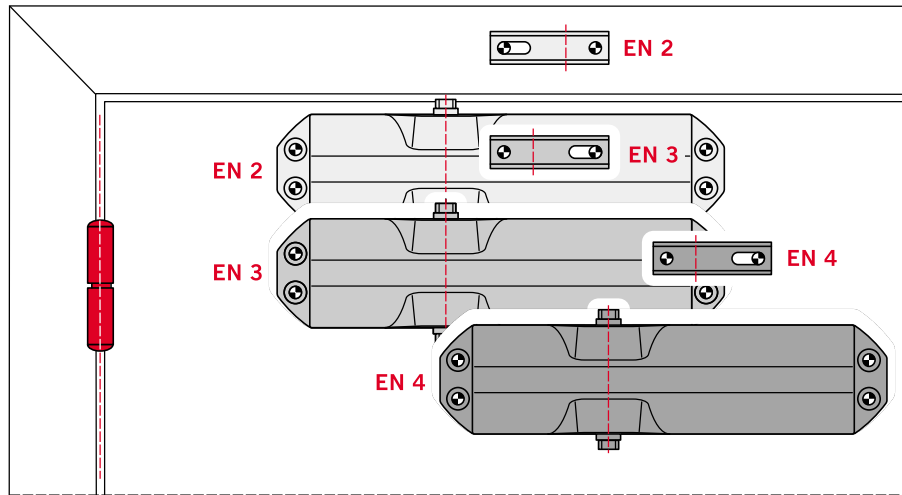
### Parallel arm fixing, push side



**Closing force settings**

Door width	Size setting
≤ 850	EN 2
≤ 950	EN 3
≤ 1100	EN 4

The TS 68's size setting is selected for the door width by moving the closer body and/or turning the arm power shoe.



**Standard equipment and accessories**

<b>Colour</b>	<b>xx</b>
silver	01
brass	02
dark brown	03
white	11

Door closer TS 68	Standard arm	Hold-open arm	Parallel arm bracket
Size EN 2/3/4	<input type="checkbox"/> 664001xx	<input type="checkbox"/> 664002xx	#

Order-Number:  = Closer with arm, complete  
# = Accessory

**Specification text**

Rack-and-pinion door closer with selectable closing force, size EN 2, 3 and 4; adjustable closing speed in two independent ranges. Non-handed.

- Colour**
- silver
  - dark brown
  - brass
  - white (similar to RAL 9016)

- Model**
- with standard arm
  - with hold-open

**Make** DORMA TS 68

Subject to change without notice

**DORMA GmbH + Co. KG**  
 Postfach 4009  
 D-58247 Ennepetal  
 Tel. + 49 (0) 23 33/7 93-0  
 Fax + 49 (0) 23 33/79 34 95  
 www.dorma.com