

PRODUCT FEATURES:

- **Interconnectable:** Link with other fire alarms for full home protection
- **Mains Powered:** Reliable operation with no frequent battery changes
- **Replaceable Backup Battery:** Stays active during power outages
- **Fast Fix Base Included:** For quick and easy installation
- **Test & Hush:** Simple testing and nuisance alarm control
- **Durable Build:** Long lasting, high quality, fire retardant ABS construction
- **Insect Proof:** Reduced False Alarms



DESCRIPTION:

The **Black + Decker Smoke Alarm** is a complete mains powered unit. This alarm can interconnect up to 20 units. This also comes with our Fast Fix base for easy installation. Installed with 9V battery backup, this alarm also features a test button, a loud 85dB alarm and a low battery warning indicator.

TECHNICAL SPECIFICATION:

Ambient Operating Temperature:	0°C ~ 40°C
Power Consumption (In Alarm):	≤40mA
Power Consumption (Standby):	≤10µA
Ambient Operating Humidity:	0. to 90%
Power Source:	220-240v AC 50Hz
Housing Material:	Fire Retardant ABS
Electrical Class:	Class II
Min/Max Cable CSA:	0.75mm ² to 1.5mm ²
Backup Power Source:	9V Battery
Weight:	192g
Grade of Alarm:	D2
Alarm Sounder Level:	85dB at 3 metres
Approved To:	BS EN 14604:2005
Designed For Installation To:	BS 5839-6:2019
Max Interconnected Units:	20
Max Hardwire Interconnect Distance:	150m
Backup Battery Life (No Mains):	30 Days
Storage Temperature:	-10° to 50°
Storage Humidity:	0-90%RH (non-condensing)

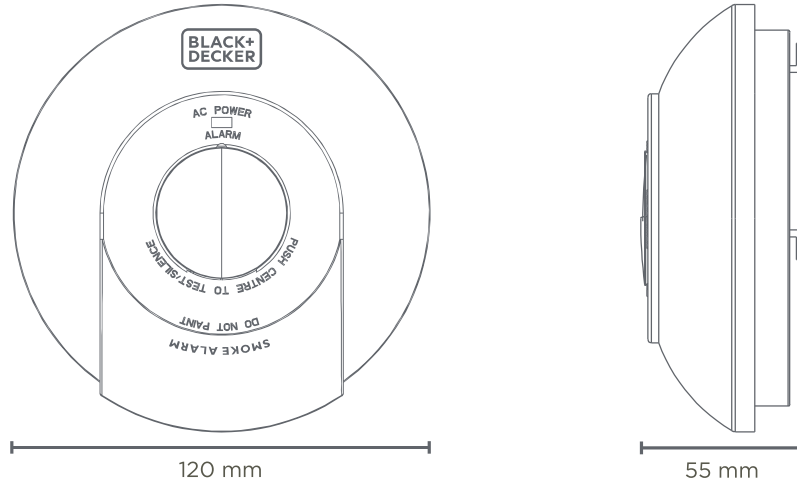
**All information is subject to change and should be verified before any critical action.*



SMOKE ALARM

MAINS POWERED WITH REPLACEABLE BATTERY BACKUP

LINE DRAWINGS:



INSTALLATION LOCATIONS:



HALLWAYS



LANDINGS



LIVING ROOMS



BEDROOMS



LOFT EXTENSIONS



DINING ROOMS



RECYCLE
CARTON



KM 792788
BS EN 14604:2005

**All information is subject to change and should be verified before any critical action.*

