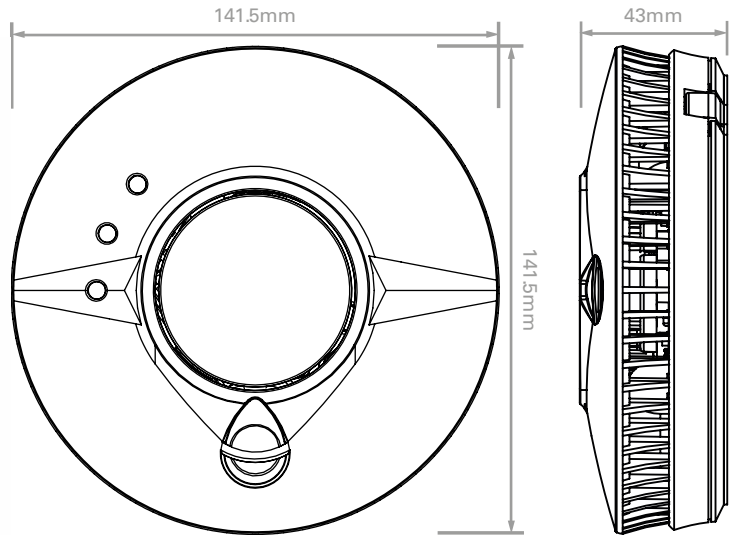


WST-230

230V Mains Powered Wireless Thermoptek Optical Smoke Alarm with 10 Year Sealed for Life Battery Back-up



Weight: 288g

Product Features

- 10 year lithium battery back-up - no need to worry about changing the battery.
- Wi-Safe 2 technology - connects to other Wi-Safe 2 alarms and accessories.
- Thermoptek technology - optical sensor with thermal enhancement provides faster reaction to all fire types in a single alarm.
- Modern design.
- Combined central test, silence and locate button.
- Ultra slim, integrated mounting base for easy installation.
- Intelligent locate feature - silence all but the initiating alarm on a network.
- Can be used on a network of battery and mains powered products, using both hardwire interconnected and wirelessly interlinked products.

Technical Specification

Supply voltage	230V AC, 50Hz
Battery back-up	10 year sealed for life lithium battery
Technology	Thermoptek - thermally enhanced optical sensor
Installation positions	Ceiling / Wall
Wireless range	35m (over 200m in clear air)
Wireless frequency	868 MHz
Maximum number of connected units	30 hardwire interconnected
Alarm sound level	85dB (A) at 3m (minimum)
Plastic material	ABS, (UL94 V0 flame retardant)
Approvals	BS 14604: 2005
Normal operating temperature	+4°C to +38°C
Normal operating humidity	Up to 90% RH non-condensing
Storage temperature	-20°C to +60°C
Storage humidity	Up to 93% RH non-condensing
Independently tested to	ETSI EN 300 220-2 V2.3.2 (2010-02), EN300489-1 &-3, EN300220-2 - Radio



0086
0086-CPR-557790
EN 14604: 2005
DOP:SADOP-WST-230



BS EN 14604: 2005
Licence No: KM557789