

ST-625 Datasheet

Thermoptek Smoke Alarm

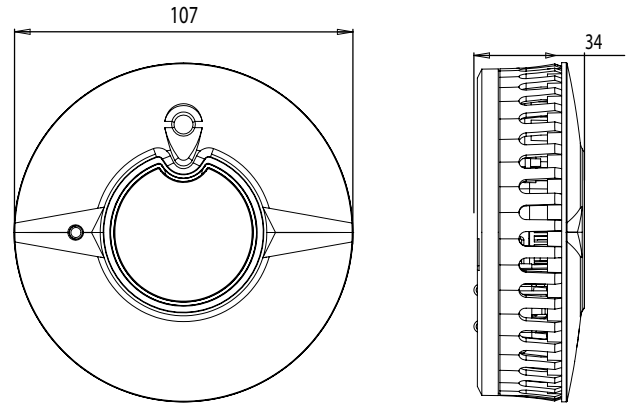
Thermally Enhanced Optical Smoke Alarm

GN3692

Product Image



Product Dimensions (mm)



| | |
|--|---------------------------|
| Model Number | ST-625 |
| Retail Description | Thermoptek Smoke Alarm |
| Retail EAN Number | 0816317002954 |
| Retail Packaging Format | Recycled clear PET box |
| Retail Packaging Dimensions WxHxD | 130mm x 130mm x 40mm |
| Retail Packaging Weight | 57g |
| Retail SRP Quantity | 5 |
| Trade Description | N/A |
| Trade EAN Number | N/A |
| Trade Packaging Format | N/A |
| Trade Packaging Dimensions WxHxD | N/A |
| Trade Packaging Weight | N/A |
| Trade Outer Box Quantity | N/A |
| Warranty | 2 years |
| Technology | Thermoptek Optical Sensor |
| Operation AC/DC | DC |

| | |
|-------------------------------|--|
| Battery Type | 2 x AA |
| Product Weight | 173g (including power pack and mounting plate) |
| Alert Type | Loud 85dB Alarm at 3 metres |
| Operating Temperature | +4°C to +38°C |
| Operating Humidity | Up to 90% RH non-condensing |
| Installation Positions | Ceiling / Wall |
| Approvals | Certified to BS EN 14604:2005 |
| Additional Testing | Approved for use in leisure and accommodation vehicles |

Health & Safety Information

| | |
|--------------------------------------|-----------------------------|
| Storage Temperature | -20°C to +60°C |
| Storage Humidity | Up to 93% RH non-condensing |
| Storage Licensing Requirement | N/A |
| Isotope Activity | N/A |



0333-CPR-292075
Smoke alarm devices
EN 14604:2005 + AC:2008
DoP:-SADOPST-625-01

FireAngel®

FireAngel Ltd.
Vanguard Centre, Sir William Lyons Road
Coventry, CV4 7EZ, United Kingdom

Tel: +44 (0)24 7771 7700
Fax: +44 (0)24 7669 3610
Web: www.fireangel.co.uk