

8 WATT FULLY RECESSED LUMINAIRE

www.ringtail.co.uk - +44 (0) 1772 336335 - sales@ringtail.co.uk

Ringtail
Lighting



The FM Light is designed for fully recess-mounting in ceilings with only a 10mm protrusion. The FM Light is perfect for maintaining a low profile, while providing the essential performance required by legislation.

- Comprising a stove-enamelled sheet steel base.
- Fitted with a clear prismatic diffuser retained by a white bezel.
- Cable knockouts provided in the sides and a BESA entry in the base.
- Complying with the requirements of EN60598-2-22
- Suitable for incorporation into an emergency lighting system complying with BS5266-1:2011.
- FM Light is designed for use on escape routes.
- Passes the 850°C hot-wire test, as defined by ICEL.
- Available in white or a number of finishes including British Standard, RAL colour, brass, chrome and satin with an opal diffuser option.
- Switchable, Maintained, Non-Maintained versions available.

Specification

- IP20 (Interior Use)
- Flush Mounting
- Ceiling Mounting
- Hinged Gear Tray
- Colour Options
- Self-Contained
- Cut out for Ceiling Mount: 380mm x 120mm

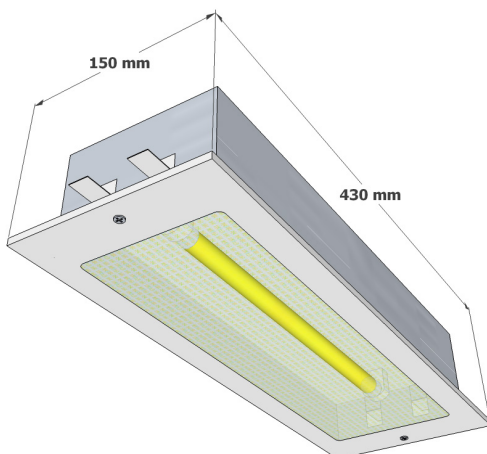


Options

Options

/BR	Brass finish
/CR	Chrome finish
/OP	Opal diffuser
/TS	Test switch
/DALI	DALI
/ST	Self-Test
/180	High emergency output
/RAL	Please specify RAL Colour

Dimensions



Suitable Applications

- Suitable for use on interior escape routes.
- Suitable for incorporation into an emergency lighting system complying with BS5266-1:2011.

Technical Specification

	Lamp Type	Power Con	Battery	Duration	Weight	Emerg Output
FM8M	8W T5	20 W	2.4V 4Ah	3 Hours	2.31Kg	100 Lumens
FM8NM	8W T5	8 W	2.4V 4Ah	3 Hours	2.14Kg	100 Lumens
FM8/SL/*	ACDC Slave. * suffix voltage required with 24, 50, 110					
FM8/230	Mains only / Static inverter					

Installation Notes

- Cut out for Ceiling Mount: 380mm x 120mm
- Diffuser is attached by screws and provides a seal to IP20.
- Gear tray is hinged for ease of installation and is easily removable to allow first fix of the base.

Materials / Finish

- Comprising a stove-enamelled sheet steel base.
- Fitted with a clear prismatic diffuser retained by a white bezel.
- Available in white or a number of finishes including British Standard, RAL colour, brass, chrome and satin with an opal diffuser option.

Catalogue Numbers

FM8M	Maintained
FM8NM	Non Maintained
FM8/SL/*	ACDC Slave. * suffix voltage required with 24, 50, 110
FM8/230/HF	Mains only / Static inverter