

Sigma CP-R & Ancillary PCB | Conventional Fire Alarm Control Panel Repeaters

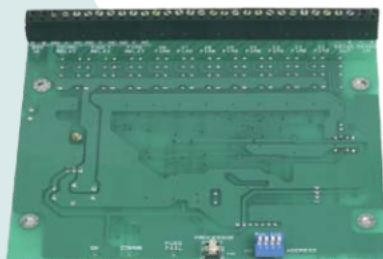
Sigma CP-R Features

- Two wire serial connection
- Up to 7 panels per system
- 230V AC or 24V DC powered versions
- Full control over main panel
- Volt free fire and fault contact outputs

Ancillary PCB Features

- Two wire serial connection
- Up to 7 boards per system
- 230V AC or 24V DC powered versions
- Open collector zonal fault outputs
- Volt free fire, coincidence and common fault contact outputs

Note: Also available is the Sigma Sounder Board (K461) which is compatible with all Sigma CP and CP-R panels which have operating software version V3.0 or above. See DS48 for more details.



Part No. K580

Sigma CP-R Product Overview

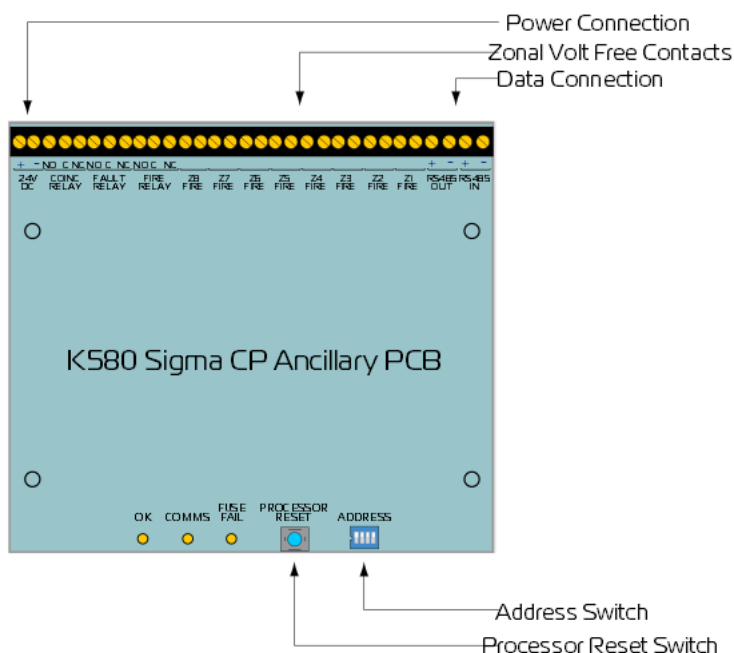
- The Sigma CP-R Repeater is compatible with all Sigma CP control panels which have operating software version V2.0 or above.
- Repeaters are available with 2, 4 or 8 zones and in mains powered (K versions) or 24V powered (E versions).
- Mains powered repeaters require only a two core data cable from the main control panel. 24V DC versions require an additional two cores for power either from the main panel or from another 24V DC source.
- A mixture of Repeaters, Ancillary boards or Sounder Boards up to a maximum of 7 of each type can be connected to a control panel and each is allocated an address from 1 to 7 using a binary coded DIL switch. The total length of the data cable from the main panel to the last repeater must not exceed 1200 metres.

Ancillary PCB Product Overview

- The Sigma Ancillary Board is compatible with all Sigma CP and CP-R panels which have operating software version V2.0 or above.
- The board provides common fire, common fault, coincidence and zonal fire, volt free contacts allowing control of sub-systems, graphical mimics and plant, remotely from the main panel over a two wire data bus.
- Mains powered Ancillary boards require only a two core data cable from the main control panel. 24V DC versions require an additional two cores for power either from the main panel or from another 24V DC source.
- A mixture of Ancillary boards, Sounder boards or Repeaters up to a maximum of 7 of each type can be connected to a control panel and each is allocated an address from 1 to 7 using a binary coded DIL switch. The total length of the data cable from the main panel to the last repeater must not exceed 1200 metres.



Model No. E01080M2



Panels

| Product Code | Description | Supply Voltage | Standby Current | Alarm Current | Size (mm) |
|-----------------|---|----------------|-----------------|---------------|----------------|
| E01020L2 | 2 zone Sigma CP-R repeater panel | 24V DC | 0.075 Amps | 0.094 Amps | 385 x 310 x 60 |
| E01040L2 | 4 zone Sigma CP-R repeater panel | 24V DC | 0.075 Amps | 0.098 Amps | 385 x 310 x 60 |
| E01080L2 | 8 zone Sigma CP-R repeater panel | 24V DC | 0.075 Amps | 0.11 Amps | 385 x 310 x 60 |
| K01020M2 | 2 zone Sigma CP-R repeater panel with PSU | 230V AC | 0.075 Amps | 0.094 Amps | 385 x 310 x 90 |
| K01040M2 | 4 zone Sigma CP-R repeater panel with PSU | 230V AC | 0.075 Amps | 0.098 Amps | 385 x 310 x 90 |
| K01080M2 | 8 zone Sigma CP-R repeater panel with PSU | 230V AC | 0.075 Amps | 0.11 Amps | 385 x 310 x 90 |
| K580 | Stand alone ancillary board | 24V DC | 0.020 Amps | 0.2 Amps | 155 x 136 |
| K02000M2 | Boxed ancillary board | 24V DC | 0.020 Amps | 0.2 Amps | 385 x 310 x 90 |
| K02750M2 | Boxed ancillary board with 0.75A PSU | 230V AC | 0.020 Amps | 0.2 Amps | 385 x 310 x 90 |
| K18002 | Tamper resistant Vision Window * | N/A | N/A | N/A | |

* Vision Window can be easily retrofitted to any Sigma CP-R panel

Sigma CP-R Technical

| | |
|---|-----------------------------------|
| Construction | - 1.2mm mild sheet steel |
| IP Rating | - IP30 |
| Finish | - Epoxy powder coated |
| Colour - lid & box | - BS 00 A 05 grey - fine texture |
| Colour - Controls plate & labels | - RAL 7047 light grey - satin |
| Weight | - 6kg |
| Supply voltage (K models) | - 230V AC (+10%/-15%) |
| Supply voltage (E models) | - 20-30V DC |
| Mains supply fuse | - 1.6A 250V |
| Power supply DC rating | - 24V 1 Amps |
| Maximum battery size | - 7Ah 12V (2 per panel) |
| Fault contact rating | - 30V DC 1Amp |
| Fire contact rating | - 30V DC 1Amp |
| Cable capacity | - 2.5mm ² per terminal |
| Operating temperature | - -5°C to +40°C |
| Operating humidity | - <95% (non condensing) |

Ancillary PCB Technical

| | |
|---|-----------------------------------|
| Construction (boxed) | - 1.2mm mild steel |
| IP Rating (boxed) | - IP30 |
| Finish | - Epoxy powder coated |
| Colour - lid & box | - BS 00 A 05 grey - fine texture |
| Colour - controls plate & labels | - RAL 7047 light grey - satin |
| Weight | - |
| Supply voltage (K02750M2) | - 230V AC (+10%/-15%) |
| Supply voltage (K02000M2) | - 20-30V DC |
| Mains supply fuse | - 1.6A 250V |
| Power supply DC rating | - 24V 750mA |
| Maximum battery size | - 2.6Ah 12V (2 per panel) |
| Standby current | - 20mA |
| Full alarm current | - 190mA |
| Fault contact rating | - 30V DC 1Amp |
| Fire contact rating | - 30V DC 1Amp |
| Coincidence contact rating | - 30V DC 1Amp |
| Zonal contact rating | - 30V DC 1Amp |
| Cable capacity | - 2.5mm ² per terminal |
| Operating temperature | - -5°C to +50°C |
| Operating humidity | - <95% (non condensing) |